

## Tracoe Twist Plus – REF 312-P

Tracheostomy tube with minimally traumatic insertion system, low pressure cuff and double fenestration at inner and outer bend

### Product Description

The Tracoe Twist Plus tracheostomy tubes are used as ventilation and therapy tubes with inner cannulas in hospitals, rehabilitation, and community settings. A special feature is the curved neck flange that moves in both the vertical and horizontal axes, following the movements of the patient's head. The thin tube walls of inner and outer cannulas allow for a good inside - outside diameter ratio. Tracoe Twist and Twist Plus tracheostomy tubes are made of polyurethane (PU). The low-pressure cuff is made of medical grade PVC.



### Scope of Supply

- 2 inner cannulas with 15 mm connector
- 1 inner cannula, double fenestrated with 15 mm connector
- Occlusion cap
- Lubricating gel
- Perforated obturator
- Neck strap

### General Information

Product line	Twist Plus
Legal manufacturer	Tracoe Medical GmbH Reichelsheimer Str. 1/3 55268 Nieder-Olm, Germany
Country of origin	Germany
Colour Coding	<b>REF 312-P</b> ++
Handling	
Shelf life	5 years, from date of production
Maximum Useful Life	29 days, from first use
Maximum Useful Life Insertion System	single-use disposable product

### Packaging

Packaging unit	1 unit
Weight	See Table
Dimensions (W x H x L)	271 x 47 x 113
Material outer packaging:	Cardboard box
Material sterile packaging:	Sterile bag with medical paper and transparent heatsealable PET/PP foil

### Material Specifications

Material Outer cannula	Polyurethane
Material Neck Flange	Polycarbonate
Material Cuff	Polyvinylchloride
Biocompatibility	EN ISO 10993-1

### Storage



### Certification

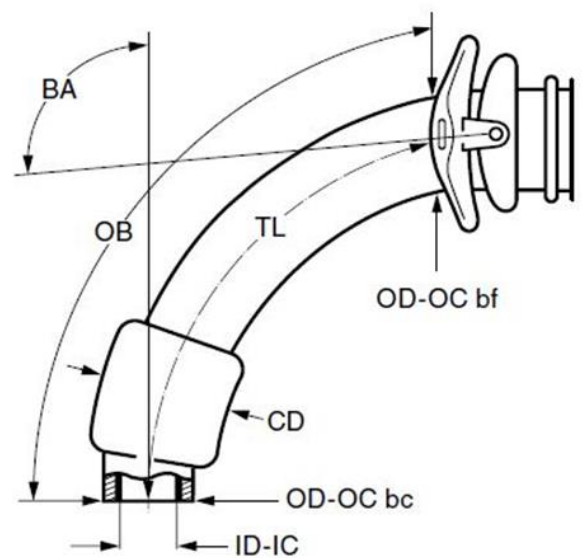
Product classification acc. MDR	IIb
CE Marking	
GMDN	35404
Quality system certified to	EN ISO 13485
FDA registration	n. A.

## Product Range

Size	Order Number	ID-IC	OD-OC bc	OD-OC bf	TL	OB	BA	CD	Gross Weight	Global Trade Item Number
		mm	mm	mm	mm	mm	°	mm	g	
07	REF 312-07-P	7,0	9,8	10,1	85	91	100	26	154	4035324018406
08	REF 312-08-P	8,0	10,8	11,1	88	95	100	28	152	4035324018420
09	REF 312-09-P	9,0	11,8	12,1	90	99	100	30	157	4035324018437
10	REF 312-10-P	10,0	12,8	13,1	92	102	100	32	158	4035324018444

## Legend

- ID-IC** Inside diameter at bottom of inner cannula
- OD-OC bc** Outside diameter at bottom of outer cannula
- OD-OC bf** Outside diameter of outer cannula behind the flange
- TL** Length along centre line from start of neck flange to bottom of tube
- OB** Length along outer bend from start of neck flange to bottom of tube
- BA** Bending angle
- CD** Cuff diameter



Tracoe Medical GmbH  
 Reichelsheimer Str. 1 / 3  
 55268 Nieder-Olm  
 Germany

Atos Medical AB  
 Hyllie Boulevard 17  
 215 32 Malmö  
 Sweden  
[www.atosmedical.com](http://www.atosmedical.com)