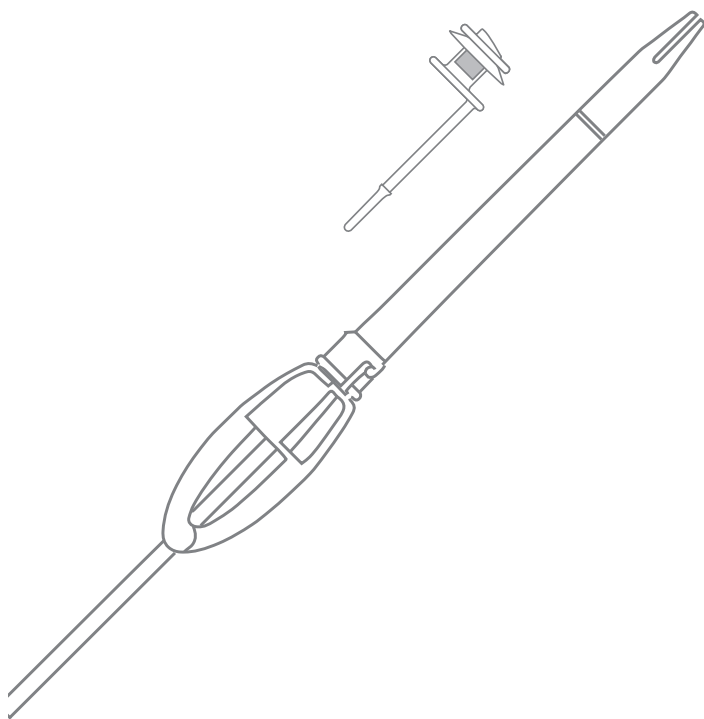
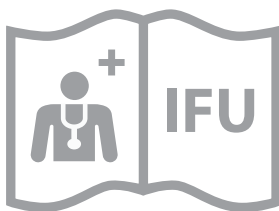


PROVOX Vega

XtraSeal



MD

**Rx
ONLY**



CE 0413

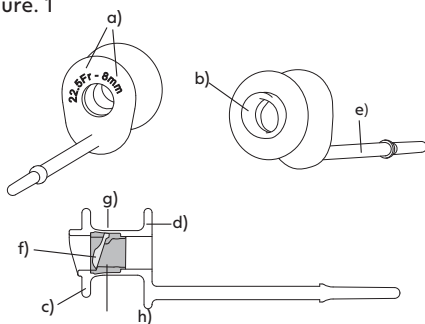


STERILE EO



42°C
108°F
RT
2°C
36°F

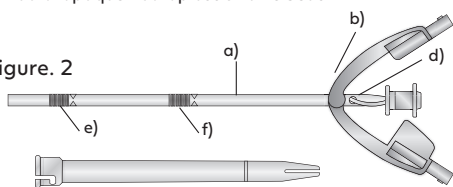
Figure. 1



Provox® Vega XtraSeal voice prosthesis

- a) Size information (shaft diameter and length between flanges)
- b) Prosthesis Hood
- c) Esophageal Flange
- d) Tracheal Flange
- e) Safety Strap
- f) Valve Flap
- g) Prosthesis Shaft
- h) Radio-opaque fluoroplastic Valve Seat

Figure. 2



- a) Insertion Pin
- b) Folding Tool
- c) Loading Tube
- d) Attachment Slot
- e) Distal grip surface
- f) Proximal grip surface

2.2 Preparation

Figure. 3

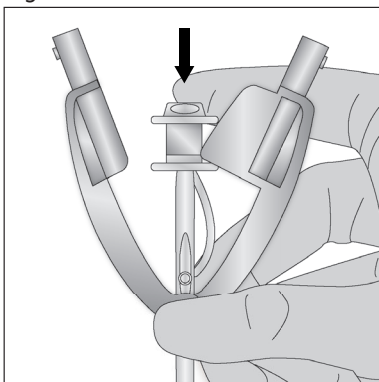


Figure. 4

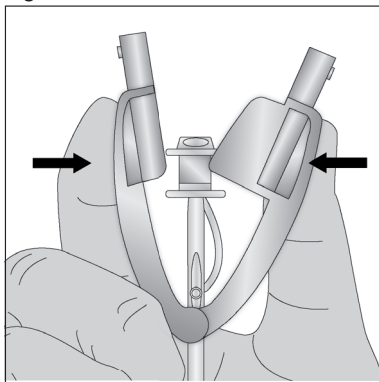
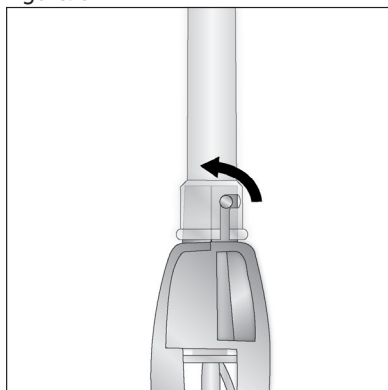
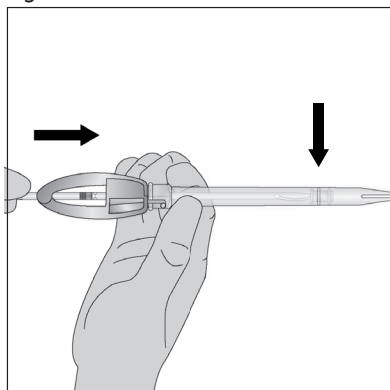


Figure. 5



2.3.1 Method 1 System Insertion

Figure. 6



2.3 Overshoot Insertion

Figure. 7

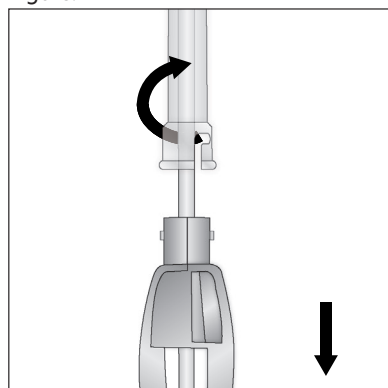


Figure. 8

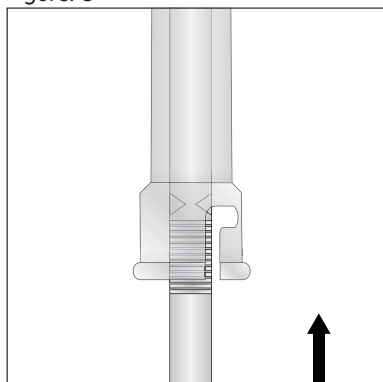


Figure. 9

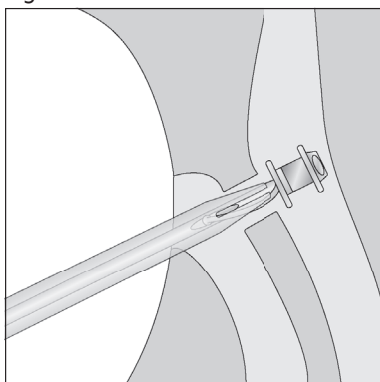
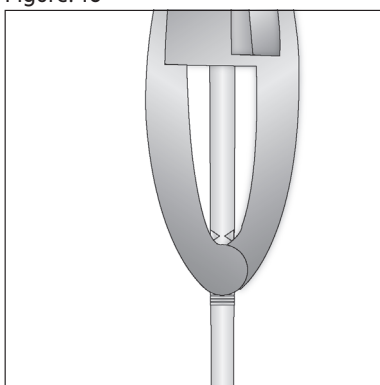
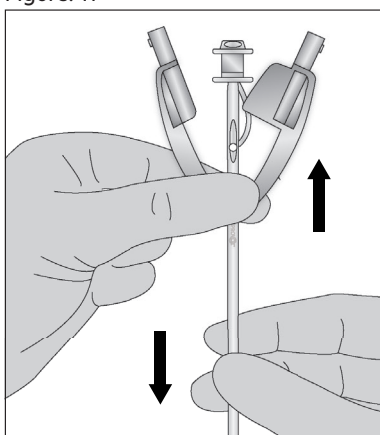


Figure. 10



2.4 Assembly and reloading

Figure. 11



2.5 Finalization

Figure. 12

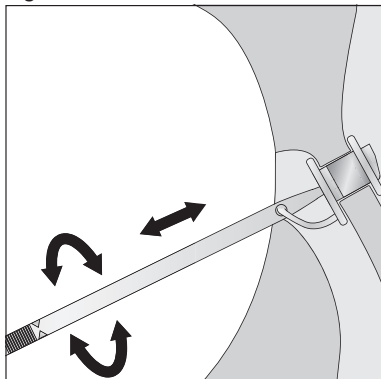


Figure. 13

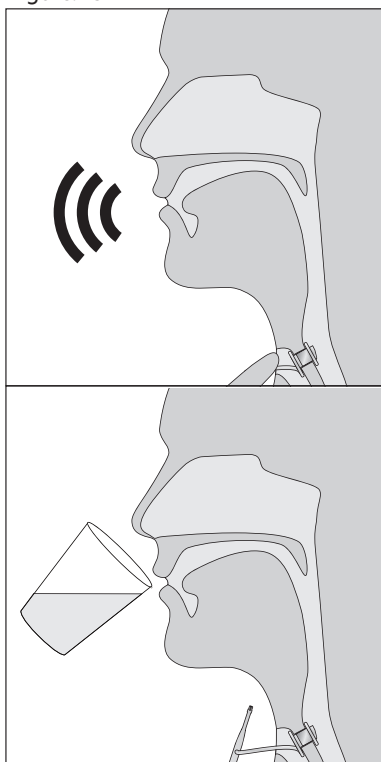
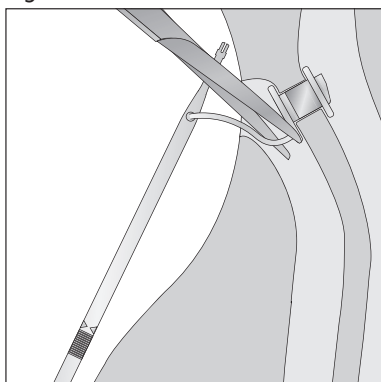


Figure. 14



Prescription information

CAUTION: United States Federal law restricts this device to sale, distribution and use by or on order of a physician or a licensed practitioner. The availability of this product without prescription outside the United States may vary from country to country.

Disclaimer

Atos Medical offers no warranty - neither expressed nor implied - to the purchaser hereunder as to the lifetime of the product delivered, which may vary with individual use and biological conditions. Furthermore, Atos Medical offers no warranty of merchantability or fitness of the product for any particular purpose.

Contents

EN - ENGLISH.....	8
DE - DEUTSCH.....	11
NL - NEDERLANDS.....	15
FR - FRANÇAIS.....	19
IT - ITALIANO	22
ES - ESPAÑOL.....	26
PT - PORTUGUÊS.....	30
SV - SVENSKA	33
DA - DANSK.....	37
NO - NORSK.....	40
FI - SUOMI.....	43
CS - ČESKY	47
HU - MAGYAR	50
PL - POLSKI.....	54
HR - HRVATSKI.....	57
TR - TÜRKÇE	61
RU - РУССКИЙ.....	64
JA - 日本語.....	68
KO - 한국어.....	71
ZHTW - 繁體中文.....	75
HE - עברית	80
AR - العربية.....	83
SYMBOL GLOSSARY.....	84

Provox Vega XtraSeal

1. Descriptive information

1.1 Intended use

Provox Vega Voice Prosthesis is a sterile single use indwelling voice prosthesis intended for voice rehabilitation after surgical removal of the larynx (laryngectomy). Cleaning of the voice prosthesis is performed by the patient while it remains in situ.

Provox Insertion System is a sterile single use device intended for anterograde replacement of Provox Vega Voice Prosthesis. This replacement procedure is carried out by a medical doctor or a trained medical professional in accordance with local or national guidelines.

Provox Insertion System is not intended to be used for insertion of a voice prosthesis in a freshly made puncture.

1.2 Description of the device

General

Provox Vega is a one-way valve (prosthesis) that keeps a TE-puncture open for speech, while reducing the risk of fluids and food entering the trachea. Provox Vega voice prosthesis is not a permanent implant, and needs periodic replacement. The prosthesis (Fig. 1) is available in different diameters and several lengths.

Provox Vega XtraSeal has an additional enlarged esophageal flange that is intended to solve problems with leakage around the voice prosthesis.

The device is made of medical grade silicone rubber and fluoroplastic.

Provox Vega XtraSeal package

Provox Vega XtraSeal package contains the following items:

- 1 Provox Vega XtraSeal voice prosthesis, pre-assembled in a single use Insertion System, sterile (Fig. 2)
- 1 Provox Brush of a size corresponding to the voice prosthesis, non-sterile
- 1 Provox Vega XtraSeal Clinician's manual
- 1 Provox Vega Patient's manual
- 1 Provox Brush Instructions for Use

1.3 CONTRAINDICATIONS

There are no known contraindications for use or replacement of a Provox Vega voice prosthesis among patients already using prosthetic voice rehabilitation.

1.4 WARNINGS

- **Dislodgement or extrusion of Provox Vega voice prosthesis** from the TE puncture and subsequent ingestion, aspiration or tissue damage may occur. A foreign body in the airway may cause severe complications such as acute respiratory distress and/or respiratory arrest.
- **Select the proper prosthesis size.** A tight fit may cause tissue necrosis and extrusion.
- **Instruct the patient to consult a physician** immediately if there are any signs of tissue edema and/or inflammation/infection.
- **Instruct the patient to consult a physician** if leakage through or around the voice prosthesis occurs. Leakage may cause aspiration pneumonia.
- **If used, choose laryngectomy tubes or stoma buttons** with a suitable shape that do not exert pressure on the prosthesis or catch onto the tracheal flange of the prosthesis during insertion and removal of the laryngectomy tube or stoma button. This may lead to severe tissue damage and/or accidental ingestion of the prosthesis.
- **Instruct the patient to use only genuine Provox accessories** of corresponding size (Brush, Flush, Plug) for maintenance and to avoid all other kinds of manipulation.
- **Re-use and re-processing** may cause cross-contamination and damage to the device, which could cause patient harm.

1.5 PRECAUTIONS

- Carefully assess any patient with bleeding disorders or who is undergoing anticoagulant treatment for the risk of bleeding or hemorrhage prior to placement or replacement of the prosthesis.
- Inspect the package before use. If the package is damaged or opened, do not use the product.
- Always use aseptic technique when handling the prosthesis in order to reduce infection risk.

2. Instructions for use

2.1 Choose size of the Voice prosthesis

Be sure to use a Provox Vega XtraSeal voice prosthesis of the proper shaft diameter and length. Provox Vega XtraSeal is available in different length/diameter combinations.

- **Selecting shaft diameter**

The Clinician should determine the proper diameter of the prosthesis appropriate for the patient.

If the selected diameter is larger than the previous prosthesis the tract must be dilated, using Provox Dilator, appropriate to the diameter of the prosthesis being inserted. If a prosthesis with a smaller shaft diameter is inserted, observe and ensure that the puncture shrinks to the appropriate diameter.

- **Selecting shaft length**

To select the correct length, you may use the current prosthesis as its own measuring device.

If there is too much (i.e. 3 mm /-0.12 inches, or more) space between the Tracheal Flange of the old prosthesis and the mucosal wall, a shorter prosthesis should be used.

If the prosthesis sits too tight, a longer prosthesis should be used.

Note: The shaft of Provox Vega XtraSeal is ca 1 mm shorter than the size indicated due to the enlarged esophageal flange.

2.2 Preparation

(Fig. 3-6)

Position voice prosthesis

1. Ensure the Voice Prosthesis is properly positioned on the Insertion Pin, firmly attached, and with the tip of the pin positioned all the way into the blue ring of the voice prosthesis (Fig. 3).

Fold the esophageal flange

2. Verify that the Insertion Pin is correctly positioned with the Folding Tool (The Pin shall be snapped into the Folding Tool).
3. Squeeze the Folding Tool together with two fingers (Fig. 4).
4. Attach the Loading Tube while keeping the Folding Tool closed and twist the Loading Tube until it locks in place (Fig. 5).

Load

5. Push the Insertion Pin forward until the voice prosthesis is aligned with the visible ring on the Loading Tube (Fig. 6).

Remove the old voice prosthesis

6. Remove the current (old) prosthesis from the TE-puncture by pulling it out with a non-toothed hemostat. Alternatively, at the clinician's discretion, the tracheal flange of the prosthesis can be grasped with forceps and cut off. The rest of the prosthesis is then pushed into the esophagus for passage through the intestinal tract. The patient's history of any intestinal diseases should be taken into account before using this method.

Prepare the puncture (optional)

7. The puncture may be dilated to prepare for the insertion of the voice prosthesis. This is usually not necessary but may facilitate insertion in patients with angled or tight punctures that easily collapse.

2.3 Insertion, Anterograde replacement procedure

(Fig. 7-10)

CAUTION: Provox Vega XtraSeal with enlarged esophageal flange must be placed using the overshooting technique to ensure the additional enlarged esophageal flange and the esophageal flange both deploy inside the esophageal lumen. Overshooting means that the whole prosthesis is deployed in the esophagus and then retracted to the intended position.

1. **Remove the Folding Tool (Optional)**

After the prosthesis has been pushed into the Loading Tube, remove the Folding Tool by unlocking and disconnecting it from the Loading Tube (Fig. 7).

2. **Enter the TE-puncture**

Hold Provox Insertion System by the Loading Tube. Enter the puncture with the Loading Tube Tip. Proceed with care if you encounter resistance. If there is resistance, dilatation and/or lubrication can ease the insertion.

3. **Insert the voice prosthesis**

Hold the Loading Tube stable with one hand and push the Insertion Pin with the other hand beyond the Proximal grip surface, (Fig. 8). At this point voice prosthesis is fully deployed in the esophagus, (Fig.9).

If overshoot insertion is performed with the Folding Tool kept assembled, push the Insertion Pin beyond the Distal grip surface, (Fig.10). At this point the voice prosthesis is fully deployed in the esophagus, (Fig. 9).

4. **Release the voice prosthesis**

Pull the Loading Tube straight out from the puncture. The prosthesis remains in the esophagus; still firmly attached to the Insertion Pin. Grasp the tracheal flange with a non-toothed hemostat and pull/rotate the voice prosthesis into place.

5. **Finalize the procedure**

After insertion, finalize the procedure as described below in section 2.5.

2.4 Assembly and reloading Provox Insertion System

If the first attempt to insert Provox Vega XtraSeal into the TE-puncture is unsuccessful, it is possible to reload the voice prosthesis into Provox Insertion System.

Position voice prosthesis

1. Mount the voice prosthesis with the tracheal side facing down on top of the Insertion Pin.

2. Attach the Safety Strap by leading it through the Attachment Slot from either side.
3. Ensure the Voice Prosthesis is properly positioned on the Insertion Pin, firmly attached and with the tip of the pin positioned all the way into the blue ring of the voice prosthesis (Fig. 3). Connect the Folding Tool.
4. Guide the Insertion Pin through the opening in the Folding Tool until it clicks in place. Pull the pin until the pin is snapped into the Folding Tool. (Fig. 11). Provox Insertion System is now ready for preparation. Continue the preparation as described above in section 2.2.

CAUTION: Do not reload more than twice. If Provox Vega voice prosthesis shows any signs of damage, do not use the voice prosthesis.

2.5 Finalize the procedure

After insertion:

Ensure proper fit

1. Ensure the proper position of the voice prosthesis by rotating and gently pulling the Insertion Pin (Fig. 12). The prosthesis is in an ideal position when the Safety Strap is pointing downwards.

CAUTION: Confirm that both esophageal flanges have deployed entirely in the lumen of the esophagus. No part of the enlarged esophageal flange should be visible alongside the shaft of the voice prosthesis and when rotated the voice prosthesis should move freely. Rotating the voice prosthesis while at the same time slightly pushing it towards the esophagus can help to unfold the enlarged flange completely. In case of uncertainty, use flexible endoscopy to confirm proper placement inside the esophagus.

Test proper function

2. Brush Provox Vega with Provox Brush. Test proper function of the prosthesis by asking the patient to speak and by observing that the prosthesis does not leak while the patient drinks water (Fig. 13.2).

Cut the Safety Strap

3. After ensuring the voice prosthesis is placed correctly, cut off the Safety Strap so that it is flush with the Tracheal Flange (Fig. 14). The voice prosthesis is now ready for use.

2.6 Disposal

Always follow medical practice and national requirements regarding biohazards when disposing of a used medical device.

3. Important patient information

3.1 General information

Ensure that the patient understands to contact their clinician if:

- There is leakage through or around the prosthesis (coughing and/or change of mucus color).
- Speaking becomes difficult (higher effort and/or voice sounds more strained).
- There are any signs of inflammation or tissue changes at the puncture site or the stoma region (pain, redness, heat, swelling, traces of blood on the brush after brushing).

Also inform the patient that:

- After a prosthesis replacement traces of blood may be found in the sputum. This may come from granulation tissue on the edges of the TE puncture.
- Provox Vega Plug can be used to temporarily stop leakage through the voice prosthesis.
- Speech Training Sessions with a trained clinician are advised in order to acquire optimal voice sound, fluent speech, and optimal intelligibility.

3.2 Prosthesis maintenance

Instruct the patient when and how to clean Provox Vega XtraSeal voice prosthesis. Cleaning the prosthesis at least twice a day can help prolong the device life.

CAUTION: Only use genuine Provox accessories that are intended for use with Provox Vega when cleaning the prosthesis.

- Brushing the prosthesis with Provox Brush twice a day will help to remove mucus and food remnants from the prosthesis.
- Flushing the prosthesis with Provox Flush also helps to clean debris and mucus from the prosthesis, can help increase the life of the device.

Note: Provox Flush is intended for use only by patients who, as assessed by the clinician who prescribes the device, have demonstrated ability to understand and consistently follow the instructions for use without clinician supervision.

- Some dietary measures, like the daily intake of yogurt or butter milk containing lactobacilli, are considered to be helpful against excessive Candida growth.

For detailed information on how to clean a Provox Vega, please see Instructions for each accessory.

4. Additional information

4.1 Compatibility with MRI, X-ray and radiation therapy

Provox Vega XtraSeal voice prostheses have been tested and found to be compatible, with Magnetic Resonance Imaging (tested up to 3 Tesla), x-ray and radiation therapy (tested up to 70 Gy). The prosthesis can be left within the TE-puncture during the examination/therapy session. Note that the radio-opaque valve seat is visible on x-ray.

4.2 Device lifetime

Depending on individual biological circumstances the device life varies, and it is not possible to predict the integrity of the device over a longer period of time. The material of the device will be affected by e.g. bacteria and yeast, and the structural integrity of the device will eventually deteriorate.

Laboratory testings of simulated usage for a test period of 12 months show that, in the absence of bacteria and yeasts, the device will maintain its structural integrity for this time period. The device has not been tested for usage beyond 12 months. Usage beyond this limit is under the sole discretion of the prescriber.

4.3 Compatibility with antifungal medicine

Laboratory tests show only minor negative influence on the function of Provox Vega voice prosthesis and components when using the following antifungal medications: Nystatin, Fluconazole, Miconazol.

4.4 User assistance information

For additional help or information, please see back cover of the Instructions for Use for contact information.

5. Reporting

Please note that any serious incident that has occurred in relation to the device shall be reported to the manufacturer and the national authority of the country in which the user and/or patient resides.

DEUTSCH

Provox Vega XtraSeal

1. Beschreibung

1.1 Verwendungszweck

Die Provox Vega Stimmprothese ist eine sterile Verweilprothese zum einmaligen Gebrauch während der Stimmrehabilitation nach einer chirurgischen Entfernung des Larynx (Laryngektomie). Der Patient kann die Stimmprothese in eingesetztem Zustand selbst reinigen.

Das Provox Insertion System ist ein steriles Produkt für den Einmalgebrauch, das für einen anterograden Wechsel der Provox Vega Stimmprothese vorgesehen ist. Dieser Prothesenwechsel erfolgt durch einen Arzt oder eine geschulte medizinische Fachkraft in Übereinstimmung mit lokalen oder nationalen Richtlinien.

Das Provox Insertion System ist nicht dafür vorgesehen, eine Stimmprothese in eine neu angelegte tracheo-ösophageale Fistel einzusetzen.

1.2 Produktbeschreibung

Allgemeines

Provox Vega ist ein Einweg-Ventil (Prothese), das eine tracheo-ösophageale Punktion zum Zwecke des Sprechens offen hält und gleichzeitig das Risiko minimiert, dass Speisen oder Flüssigkeiten in die Luftröhre gelangen. Die Provox Vega Stimmprothese ist kein Dauerimplantat und muss regelmäßig gewechselt werden. Die Prothese (Abb. 1) ist in verschiedenen Durchmessern und Längen erhältlich.

Provox Vega XtraSeal verfügt über einen zusätzlichen, vergrößerten ösophagealen Flansch, der etwaige Probleme mit Undichtigkeiten rund um die Stimmprothese lösen soll. Das Produkt besteht aus Silikon medizinischer Güte und Fluorkunststoff.

Lieferumfang von Provox Vega XtraSeal

Die folgenden Artikel sind im Lieferumfang von Provox Vega XtraSeal enthalten:

- 1 Provox Vega XtraSeal Stimmprothese, vormontiert in einem Insertion System zum Einmalgebrauch, steril (Abb. 2)
- 1 Bürste Provox Brush in einer zur Stimmprothese passenden Größe, unsteril
- 1 Gebrauchsanweisung für Ärzte für Provox Vega XtraSeal
- 1 Gebrauchsanweisung für Patienten für Provox Vega
- 1 Gebrauchsanweisung zur Provox Brush

1.3 KONTRAINDIKATIONEN

Es sind keine Kontraindikationen für die Verwendung oder den Wechsel einer Provox Vega Stimmprothese bei Patienten, die bereits eine Stimmprothese tragen, bekannt.

1.4 WARNHINWEISE

- Es ist nicht ausgeschlossen, dass die **Provox Vega Stimmprothese verrutscht oder aus der tracheo-ösophagealen Punktion herausgedrückt** und in der Folge verschluckt oder aspiriert wird bzw. Gewebeschädigungen verursacht. Ein Fremdkörper in den Atemwegen kann zu schweren Komplikationen wie akuter Atemnot und/oder Atemstillstand führen.
- **Wählen Sie die richtige Prothesengröße aus.** Ein zu enger Sitz kann zu Gewebenekrose und Extrusion führen.
- **Weisen Sie den Patienten an, sofort einen Arzt zu konsultieren**, wenn er Anzeichen für Gewebeödeme und/oder Entzündungen/Infektionen bemerkt.
- **Weisen Sie den Patienten an, sofort einen Arzt zu konsultieren**, wenn Leckagen durch oder um die Stimmprothese herum auftreten. Leckagen können zu einer Aspirationspneumonie führen.
- **Sofern verwendet, sind Laryngektomiekanülen oder Tracheostoma-Buttons** mit geeigneter Form so zu wählen, dass sie keinen Druck auf die Prothese ausüben oder sich während des Einsetzens bzw. Herausnehmens der Laryngektomiekanüle oder des Tracheostoma-Buttons nicht im Tracheal-Flansch der Prothese verfangen. Ansonsten könnten schwere Gewebeschädigungen und/oder ein versehentliches Verschlucken der Prothese die Folge sein.
- **Weisen Sie den Patienten darauf hin, ausschließlich Original-Provox-Zubehör** mit der richtigen Größe (Brush, Flush, Plug) für die Prothesenpflege zu verwenden und von sämtlichen anderen Manipulationen abzuweichen.
- **Wiederverwendung und Wiederaufbereitung** können eine Kreuzkontamination und eine Beschädigung des Produkts verursachen, was für den Patienten negative Folgen haben könnte.

1.5 VORSICHTSMASSNAHMEN

- Bei Patienten, die an Gerinnungsstörungen leiden oder die mit Antikoagulanzen behandelt werden, muss das Blutungs-/Hämorrhagierisiko vor dem Einsetzen bzw. Austauschen der Prothese sorgfältig beurteilt werden.
- Prüfen Sie vor der Verwendung die Verpackung. Verwenden Sie das Produkt nicht, wenn die Verpackung beschädigt oder geöffnet ist.
- Achten Sie beim Umgang mit der Prothese auf ein aseptisches Vorgehen, um das Infektionsrisiko zu verringern.

2. Gebrauchsanweisung

2.1 Auswahl der richtigen Stimmprothesengröße

Verwenden Sie eine Provox Vega XtraSeal Stimmprothese mit geeignetem Schaftdurchmesser und geeigneter Länge. Provox Vega XtraSeal ist in verschiedenen Kombinationen aus Länge und Durchmesser erhältlich.

• Auswahl des Schaftdurchmessers

Der Arzt muss den korrekten Schaftdurchmesser der für den Patienten geeigneten Prothese ermitteln.

Wenn der gewählte Durchmesser größer als der der vorherigen Prothese ist, muss der Kanal mithilfe von Provox Dilator (Dilatator) auf den Durchmesser der einzusetzenden Prothese geweitet werden.

Wenn eine Prothese mit einem kleineren Schaftdurchmesser eingesetzt wird, muss die Fistel beobachtet werden, um sicherzustellen, dass diese auf den entsprechenden Durchmesser einschrumpft.

• Auswahl der Schaftlänge

Zur Auswahl der korrekten Länge kann die derzeitige Prothese als Maßstab verwendet werden.

Wenn ein zu großer Abstand (sprich 3 mm / 0,12 in oder mehr) zwischen dem Tracheal-Flansch der alten Prothese und der Schleimhaut besteht, sollte eine kürzere Prothese verwendet werden.

Wenn die Prothese zu eng sitzt, ist auf eine längere Prothese zurückzugreifen.

Hinweis: Der Schaft der Provox Vega XtraSeal ist aufgrund des vergrößerten ösophagealen Flansches etwa 1 mm kürzer als angegeben.

2.2 Vorbereitung

(Abb. 3–6)

Stimmprothese platzieren

1. Vergewissern Sie sich, dass die Stimmprothese korrekt und fest auf dem Inserters sitzt. Dabei muss die Spitze des Inserters bis zum Anschlag in den blauen Ring der Stimmprothese ragen (Abb. 3).

Ösophagealen Flansch falten

2. Vergewissern Sie sich, dass der Inserters korrekt im Faltinstrument sitzt (Inserters muss im Faltinstrument eingerastet sein).
3. Drücken Sie das Faltinstrument mit zwei Fingern zusammen (Abb. 4).
4. Bringen Sie den Ladetubus bei weiterhin zusammengedrücktem Faltinstrument an und drehen Sie den Ladetubus so lange, bis er in seiner Position einrastet (Abb. 5).

Laden

5. Drücken Sie den Inserters nach vorne, bis die Stimmprothese auf den sichtbaren Ring am Ladetubus ausgerichtet ist (Abb. 6).

Alte Stimmprothese entfernen

6. Entfernen Sie die derzeitige (alte) Stimmprothese aus der tracheo-ösophagealen Punktion, indem Sie sie mit einer ungezahnten Klemme herausziehen. Alternativ kann der Tracheal-Flansch der Prothese im Ermessen des Arztes mit einer Zange gefasst und abgeschnitten werden. Der Rest der Prothese kann anschließend in den Ösophagus geschoben werden, sodass er durch den Darmtrakt transportiert und ausgeschieden wird. Vor dem Gebrauch dieser Methode ist die Krankengeschichte des Patienten auf jegliche Darmerkrankungen zu prüfen.

Punktion vorbereiten (optional)

7. Die Punktion kann geweitet werden, um diese auf das Einsetzen der Stimmprothese vorzubereiten. In der Regel besteht dafür keine Notwendigkeit. Jedoch kann eine Dilatation das Einsetzen der Prothese bei Patienten mit zu engen Punctionen, vereinfachen.

2.3 Einsetzen – anterograder Prothesenwechsel

(Abb. 7–10)

VORSICHT: Provox Vega XtraSeal mit vergrößertem ösophagealem Flansch muss mittels der Overshooting-Methode eingesetzt werden, um sicherzustellen, dass sowohl der zusätzliche vergrößerte ösophageale Flansch als auch der ösophageale Flansch sich im Inneren des Ösophaguslumens entfalten. Overshooting ist die Bezeichnung für eine Methode, bei der die komplette Stimmprothese im Ösophagus entfaltet und anschließend in die beabsichtigte Position zurückgezogen wird.

1. Faltinstrument entfernen (optional)

Nachdem die Prothese in den Ladetubus geschoben wurde, entfernen Sie das Faltinstrument, indem Sie es entsichern und vom Ladetubus trennen (Abb. 7).

2. Sondieren der tracheo-ösophagealen Punktion

Halten Sie das Provox Insertion System mit einer Hand am Ladetubus fest. Führen Sie die Spitze des Ladetubus in die Punktion ein. Fahren Sie mit Bedacht fort, wenn Sie einen Widerstand spüren sollten. Sollte ein Widerstand zu spüren sein, können eine Dilatation und/oder Lubrikation das Einsetzen vereinfachen.

3. Stimmprothese einsetzen

Halten Sie den Ladetubus mit einer Hand stabil in Position und schieben Sie den Inserter mit der anderen über die proximale Grifffläche hinaus (Abb. 8). Die Stimmprothese wird nun vollständig im Ösophagus entfaltet (Abb. 9).

Wenn das Faltinstrument beim Einsetzen mittels Overshooting noch angebracht ist, muss der Inserter über die distale Grifffläche hinaus geschoben werden (Abb. 10). Die Stimmprothese wird nun vollständig im Ösophagus entfaltet (Abb. 9).

4. Stimmprothese lösen

Ziehen Sie den Ladetubus gerade aus der Punktion heraus. Die Prothese verbleibt im Ösophagus und ist noch immer fest am Inserter angebracht. Greifen Sie den Tracheal-Flansch mit einer ungezahnten Klemme und ziehen/drehen Sie die Stimmprothese in die korrekte Position.

5. Eingriff abschließen

Schließen Sie den Eingriff nach dem Einsetzen wie in Abschnitt 2.5 beschrieben ab.

2.4 Zusammenbau und erneutes Laden des Provox Insertion System

Wenn die Provox Vega XtraSeal sich nicht beim ersten Mal in die tracheo-ösophageale Punktion einsetzen ließ, kann die Stimmprothese noch einmal in das Provox Insertion System geladen werden.

Stimmprothese platzieren

1. Setzen Sie die Stimmprothese mit der trachealen Seite nach unten auf den Inserter.
2. Bringen Sie den Sicherheitsfaden an, indem Sie ihn von beiden Seiten durch den Befestigungsschlitz führen.
3. Vergewissern Sie sich, dass die Stimmprothese korrekt und fest auf dem Inserter sitzt. Die Spitze des Inserters muss dabei bis zum Anschlag in den blauen Ring der Stimmprothese ragen (Abb. 3). Bringen Sie das Faltinstrument an.
4. Führen Sie den Inserter durch die Öffnung im Faltinstrument, bis er einrastet. Ziehen Sie am Stift, bis der Stift im Faltinstrument einrastet. (Abb. 11). Das Provox Insertion System kann nun vorbereitet werden. Fahren Sie mit der Vorbereitung wie in Abschnitt 2.2 beschrieben fort.

VORSICHT: Den Ladevorgang nicht mehr als zweimal wiederholen. Wenn die Provox Vega Stimmprothese jegliche Schäden aufweist, darf sie nicht verwendet werden.

2.5 Abschluss des Eingriffes

Nach dem Einsetzen:

Auf korrekten Sitz kontrollieren

1. Kontrollieren Sie die korrekte Position der Stimmprothese, indem Sie sachte am Inserter drehen und ziehen (Abb. 12). Die Prothese sitzt ideal, wenn der Sicherheitsfaden nach unten zeigt.

VORSICHT: Vergewissern Sie sich, dass beide ösophagealen Flansche sich vollständig im Ösophaguslumens entfalten haben. Entlang des Schafts der Stimmprothese darf kein Teil des vergrößerten ösophagealen Flansches sichtbar sein. Zudem muss die Stimmprothese sich frei bewegen können, wenn sie gedreht wird. Ein Drehen der Stimmprothese, während diese gleichzeitig leicht in Richtung Ösophagus geschoben wird, kann dabei helfen, den vergrößerten Flansch vollständig entfalten zu lassen. Bei Unsicherheiten kann der korrekte Sitz im Inneren des Ösophagus mit einem flexiblen Endoskop geprüft werden.

Ordnungsgemäße Funktionsweise prüfen

2. Führen Sie die Bürste Provox Brush wie bei der Reinigung in die Provox Vega ein und wieder heraus. Die ordnungsgemäße Funktionsweise der Prothese kann kontrolliert werden, indem der Patient darum gebeten wird, zu sprechen. Zudem dürfen keinerlei Undichtigkeiten zu beobachten sein, wenn der Patient Wasser trinkt (Abb. 13.2).

Sicherheitsfaden abschneiden

3. Nachdem Sie den korrekten Sitz der Stimmprothese sichergestellt haben, schneiden Sie den Sicherheitsfaden so ab, dass er bündig mit dem Tracheal-Flansch abschließt (Abb. 14). Die Stimmprothese kann nun verwendet werden.

2.6 Entsorgung

Bei der Entsorgung eines benutzten Medizinprodukts sind stets die medizinischen Praktiken und nationalen Vorschriften hinsichtlich biologischer Gefährdung zu befolgen.

3. Wichtige Patienteninformationen

3.1 Allgemeine Informationen

Stellen Sie sicher, dass der Patient weiß, dass er sich in den folgenden Fällen an seinen Arzt wenden muss:

- Wenn Undichtigkeiten durch oder um die Prothese herum vorhanden sind (Husten und/oder Änderung der Schleimhautfarbe).
- Wenn das Sprechen erschwert ist (vermehrte Anstrengung bzw. stärker verzerrte Stimme).
- Wenn Entzündungszeichen oder Gewebeeränderungen im Punktions- oder Tracheostomabereich auftreten (Schmerzen, Rötung, Überwärmung, Schwellungen, Blutspuren an der Bürste nach deren Gebrauch).

Informieren Sie den Patienten ferner über die folgenden Punkte:

- Das Sputum kann nach einem Prothesenwechsel mit Blut versetzt sein. Dieses Blut kann vom Granulationsgewebe an den Kanten der tracheo-ösophagealen Punktion stammen.
- Der Provox Vega Plug kann verwendet werden, um Undichtigkeiten durch die Stimmprothese vorübergehend zu beheben.
- Es wird Sprachtraining mit einem geschulten Arzt oder Logopäden empfohlen, um einen optimalen Klang der Stimme, eine flüssige Sprache und eine optimale Sprachverständlichkeit zu erzielen.

3.2 Pflege der Prothese

Weisen Sie den Patienten an, wann und wie die Provox Vega XtraSeal Stimmprothese zu reinigen ist. Eine Reinigung der Prothese mindestens zweimal täglich kann dazu beitragen, die Nutzungsdauer des Produktes zu verlängern.

VORSICHT: Verwenden Sie bei der Reinigung der Prothese ausschließlich originales Provox-Zubehör, das für die Verwendung mit Provox Vega vorgesehen ist.

- Die Prothese sollte zweimal täglich mit der Bürste Provox Brush gebürstet werden, um Sekret und Speisereste aus der Prothese zu entfernen.
- Ein Spülen der Prothese mit Provox Flush trägt dazu bei, die Prothese von Schmutz und Sekret zu befreien und die Nutzungsdauer des Produktes zu verlängern.
Hinweis: Provox Flush ist ausschließlich für den Gebrauch durch Patienten gedacht, die gemäß Beurteilung des verschreibenden Arztes das Vermögen gezeigt haben, die Gebrauchsanweisung ohne Aufsicht des Arztes eigenständig nachvollziehen und konsequent befolgen zu können.
- Bestimmte Ernährungsweisen wie der tägliche Verzehr von Joghurt oder Buttermilch mit Laktobazillen gelten als hilfreiches Mittel, um einem übermäßigen Hefewachstum vorzubeugen.

Ausführlichere Informationen zur Reinigung einer Provox Vega Stimmprothese sind den Gebrauchsanweisungen für jedes Zubehörprodukt zu entnehmen.

4. Zusätzliche Informationen

4.1 Die Vereinbarkeit des Produktes mit MRT- und Röntgenuntersuchungen sowie Strahlentherapien

Provox Vega XtraSeal Stimmprothesen wurden eingehend getestet und als mit Kernspintomografien (getestet bis 3 Tesla), Röntgenuntersuchungen und Strahlentherapien (getestet bis 70 Gy) vereinbar befunden. Die Prothese kann während der Untersuchung bzw. Therapiesitzung in der tracheo-ösophagealen Punktion verbleiben. Es ist zu beachten, dass der röntgendichte Ventil Sitz im Röntgenbild sichtbar ist.

4.2 Nutzungsdauer des Produkts

Abhängig von den individuellen biologischen Bedingungen schwankt die Nutzungsdauer des Produkts und es ist nicht möglich, die Integrität des Produkts für einen längeren Zeitraum vorherzusagen. Das Material des Produkts wird durch Bakterien und Hefen beeinträchtigt und die strukturelle Integrität des Produkts wird möglicherweise nachlassen.

Gebrauchssimulationen im Rahmen von Labortests, die über einen Zeitraum von 12 Monaten durchgeführt wurden, zeigen, dass das Produkt bei Abwesenheit von Bakterien und Hefen seine strukturelle Integrität für diesen Zeitraum bewahrt. Das Produkt

wurde nicht für eine Nutzungsdauer getestet, die über 12 Monate hinausgeht. Eine Verwendung über diese Grenze hinaus liegt im Ermessen des Verordners.

4.3 Vereinbarkeit mit Antimykotika

In Labortests konnte nachgewiesen werden, dass der Einsatz der Antimykotika Nystatin, Fluconazol und Miconazol die Funktion der Provox Vega Stimmprothese und ihrer Komponenten nur unwesentlich negativ beeinflusst.

4.4 Anwenderunterstützung

Wenn Sie weitere Unterstützung oder Informationen wünschen, beachten Sie bitte die Kontaktinformationen auf der Rückseite dieser Gebrauchsanweisung.

5. Meldung

Bitte beachten Sie, dass alle schwerwiegenden Vorfälle, die sich im Zusammenhang mit dem Produkt ereignet haben, dem Hersteller sowie den nationalen Behörden des Landes gemeldet werden müssen, in dem der Benutzer und/oder der Patient ansässig ist.

NEDERLANDS

Provox Vega XtraSeal

1. Algemene informatie

1.1 Indicaties voor gebruik

De Provox Vega XtraSeal stemprothese is een steriele permanente stemprothese voor eenmalig gebruik bedoeld voor stemrevalidatie na chirurgische verwijdering van de larynx (laryngectomie). Reiniging van de stemprothese wordt uitgevoerd door de patiënt terwijl de prothese in situ blijft.

Het Provox Insertion System is een steriel hulpmiddel voor eenmalig gebruik voor anterograde vervanging van de Provox Vega stemprothese. Deze vervangingsprocedure wordt uitgevoerd door een arts of specialist verpleegkundige.

Het Provox Insertion System is niet bedoeld voor gebruik voor het inbrengen van een stemprothese in een zojuist uitgevoerde punctie.

1.2 Productbeschrijving

Algemeen

De Provox Vega is een eenrichtingsklep (prothese) die een tracheo-oesofageale punctie openhoudt voor spraak en tegelijk de kans verkleint dat vloeistof of voedsel in de trachea komt. De Provox Vega stemprothese is geen permanent implantaat en dient periodiek te worden vervangen. De prothese (afbeelding 1) is verkrijgbaar in verschillende diameters en diverse lengtes.

Met een tweede, extra grote oesofageale flens worden bij de Provox Vega XtraSeal problemen met lekkage rondom de stemprothese verholpen.

Het hulpmiddel is gemaakt van siliconenrubber van medische kwaliteit en fluorkunststof.

Provox Vega XtraSeal pakket

Het Provox Vega XtraSeal pakket bevat de volgende onderdelen:

- 1 Provox Vega XtraSeal stemprothese vooraf aangebracht in een Insertion System voor eenmalig gebruik, steriel (afbeelding 2)
- 1 Provox Brush van een maat passend bij de stemprothese, niet-steriel
- 1 Provox XtraSeal gebruiksaanwijzing voor de behandelaar
- 1 Provox Vega gebruiksaanwijzing voor patiënt
- 1 gebruiksaanwijzing voor de Provox Brush

1.3 CONTRA-INDICATIES

Er zijn geen contra-indicaties bekend in verband met het gebruik of de vervanging van de Provox Vega stemprothese bij patiënten die al gebruikmaken van stemrevalidatie met een prothese.

1.4 WAARSCHUWINGEN

- **De Provox Vega stemprothese kan losraken of uit de tracheo-oesofageale punctie worden gedreven**, waarna ingestie, aspiratie of weefselschade kan optreden. Een vreemd voorwerp in de luchtweg kan ernstige complicaties veroorzaken zoals ademhalingsproblemen en/of ademstilstand.
- **Selecteer de juiste maat voor de prothese.** Een strakke pasvorm kan weefselnecrose en extrusie veroorzaken.
- **De patiënt moet onmiddellijk een arts raadplegen** bij tekenen van weefseloedeem en/of ontsteking/infectie.
- **Instrueer de patiënt om een arts te raadplegen** als sprake is van lekkage door of rond de stemprothese. Lekkage kan longontsteking door aspiratie veroorzaken.
- **Kies, indien deze worden gebruikt, laryngectomiecanules of stomabuttons** met een geschikte vorm die geen druk uitoefenen op de prothese en tijdens het inbrengen en verwijderen van de laryngectomie canule of stomabutton niet achter de

tracheale flens kunnen blijven haken. Dit kan leiden tot ernstige weefselschade en/of onbedoelde ingestie van de prothese.

- **Instruer de patiënt om voor het onderhoud uitsluitend originele Provox-accessoires** (Brush, Flush, Plug) van een passende maat te gebruiken en verder elke vorm van manipulatie van de stemprothese te vermijden.
- **Hergebruik en herverwerking** kan kruisbesmetting en schade aan het hulpmiddel veroorzaken, met als mogelijk gevolg letsel van de patiënt.

1.5 VOORZORGSMAATREGELEN

- Controleer patiënten met een bloedingstoornis of patiënten die anticoagulantia gebruiken vóór de inbrenging of vervanging van de prothese zorgvuldig op bloedingsrisico's.
- Inspecteer het pakket vóór gebruik. Gebruik het product niet als het pakket beschadigd of geopend is.
- Pas bij het hanteren van de prothese altijd aseptische technieken toe om de kans op infectie te verkleinen.

2. Gebruiksaanwijzing

2.1 De maat van de stemprothese kiezen

Zorg ervoor dat er een Provox Vega XtraSeal stemprothese met de juiste schachtdiameter en lengte wordt gebruikt. De Provox Vega XtraSeal is verkrijgbaar in verschillende lengte-/diametercombinaties.

- **De schachtdiameter selecteren**

De arts moet de juiste diameter van de prothese voor de patiënt bepalen.

Als de geselecteerde diameter groter is dan de diameter van de vorige prothese, moet het traject met behulp van de Provox Dilator wijder worden gemaakt om overeen te komen met de diameter van de prothese die wordt geplaatst.

Indien een prothese met een kleinere schachtdiameter wordt geplaatst, moet goed in de gaten worden gehouden of de punctie krimpt tot de juiste diameter.

- **De schacht lengte selecteren**

De huidige prothese kan als meetinstrument worden gebruikt om de juiste lengte te selecteren.

Als er te veel ruimte tussen de tracheale flens van de oude prothese en de mucosawand zit (3 mm/~0,12 inch of meer), moet een kortere prothese worden gebruikt.

Als de prothese te strak zit, moet een langere prothese worden gebruikt.

Opmerking: De schacht van de Provox Vega XtraSeal is ca. 1 mm korter dan de aangegeven maat vanwege de extra grote oesofageale flens.

2.2 Voorbereiding

(Afbeelding 3-6)

Stemprothese plaatsen

1. Zorg ervoor dat de stemprothese juist op de inbrengpen wordt geplaatst en dat deze goed vast zit en plaats de prothese met behulp van de punt van de pen volledig in de blauwe ring van de stemprothese (afbeelding 3).

Oesofageale flens vouwen

2. Verifieer of de inbrengpen juist met het vouwinstrument is geplaatst (de pen wordt in het vouwinstrument geklikt).
3. Knijp het vouwinstrument met twee vingers samen (afbeelding 4).
4. Bevestig de laadbuis terwijl het vouwinstrument gesloten blijft en draai de laadbuis totdat deze vastklikt (afbeelding 5).

Laden

5. Duw de inbrengpen naar voren totdat de stemprothese is uitgelijnd met de zichtbare ring op de laadbuis (afbeelding 6).

De oude stemprothese verwijderen

6. Verwijder de huidige (oude) prothese uit de tracheo-oesofageale-punctie door deze met een niet-getande vaatklem naar buiten te trekken. De tracheale flens van de prothese kan ook, naar oordeel van de arts, met een tang worden vastgepakt en worden afgeknipt. De rest van de prothese wordt vervolgens in de oesofagus geduwd en afgevoerd via het maag-darmkanaal. Er moet rekening worden gehouden met de patiëntgeschiedenis van intestinale aandoeningen voordat deze methode wordt gebruikt.

Punctie voorbereiden (optioneel)

7. De punctie kan wijder worden gemaakt voor het inbrengen van de stemprothese. Dit is doorgaans niet noodzakelijk maar kan het inbrengen vergemakkelijken bij patiënten met schuine of krappe puncties die gemakkelijk inklappen.

2.3 Inbrenging, anterograde vervangingsprocedure

(Afbeelding 7-10)

LET OP: De Provox Vega XtraSeal met extra grote oesofageale flens moet met de overshoot-techniek worden geplaatst om te verzekeren dat de tweede, extra grote oesofageale flens én de oesofageale flens beide in het lumen van de oesofagus ontplooid worden. Overshoot betekent dat de gehele prothese in de oesofagus wordt ontplooid en vervolgens tot in de gewenste positie wordt teruggetrokken.

1. **Het vouwinstrument verwijderen (optioneel)**

Verwijder het vouwinstrument door deze te ontgrendelen en los te koppelen van de laadbuis (afbeelding 7) nadat de prothese in de laadbuis is geduwd.

2. De tracheo-oesofageale-punctie binnengaan

Houd het Provox Insertion System vast aan de laadbuis. Ga de punctie binnen met de punt van de laadbuis. Ga voorzichtig te werk als weerstand wordt gevoeld. Inbrenging kan bij weerstand worden vergemakkelijkt door wijder maken en/of smering.

3. Stemprothese inbrengen

Houd de plaatsingsbuis met de ene hand stabiel en duw de inbrengpen met de andere hand voorbij het proximale gripgedeelte (afbeelding 8). De stemprothese is nu volledig uitgevouwen in de oesofagus (afbeelding 9).

Als overshoot-inbrenging wordt uitgevoerd met aangebracht vouwinstrument, drukt u de inbrengpen voorbij het distale gripgedeelte (afbeelding 10). De stemprothese is nu volledig uitgevouwen in de oesofagus (afbeelding 9).

4. Stemprothese vrijgeven

Trek de laadbuis recht uit de punctie. De prothese blijft in de oesofagus en is nog steeds stevig op de inbrengpen bevestigd. Pak de tracheale flens vast met een niet-gestane vaatklep en trek/draai aan de stemprothese tot deze op de juiste plaats zit.

5. De procedure voltooien

Na inbrengen, wordt de procedure voltooid zoals hieronder beschreven in paragraaf 2.5.

2.4 Assemblage en opnieuw laden van het Provox Insertion System

Als de eerste poging om Provox Vega XtraSeal in de tracheo-oesofageale-punctie te plaatsen is mislukt, kan de stemprothese opnieuw in het Provox Insertion System worden geladen.

Stemprothese plaatsen

1. Plaats de stemprothese met de tracheazijde naar beneden op de inbrengpen.
2. Bevestig het veiligheidsbandje door het bandje vanaf beide kanten door de bevestigingssleuf te trekken.
3. Zorg ervoor dat de stemprothese juist op de inbrengpen wordt geplaatst en dat deze goed vast zit, en plaats de prothese met behulp van de punt van de pen volledig in de blauwe ring van de stemprothese (afbeelding 3). Het vouwinstrument aanbrengen.
4. Leid de inbrengpen door de opening van het vouwinstrument totdat het vastklikt. Trek aan de pen totdat de pen in het vouwinstrument klikt. (Afbeelding 11) Het Provox Insertion System is nu klaar voor voorbereiding. Ga verder met de voorbereiding zoals hierboven beschreven in paragraaf 2.2.

LET OP: Laad niet meer dan twee keer opnieuw. Als de Provox Vega XtraSeal stemprothese tekenen van beschadiging vertoont, mag deze niet worden gebruikt.

2.5 De procedure voltooien

Na inbrengen:

Juiste pasvorm garanderen

1. Zorg voor de juiste plaatsing van de stemprothese door de inbrengpen te draaien en voorzichtig aan de inbrengpen te trekken (afbeelding 12). De prothese bevindt zich in de ideale positie wanneer het veiligheidsbandje omlaag wijst.

LET OP: Bevestig dat beide oesofageale flenzen volledig ontplooid zijn in het lumen van de oesofagus. Geen enkel deel van de extra grote oesofageale flens hoort langs de schacht van de stemprothese zichtbaar te zijn en wanneer eraan gedraaid wordt, moet de stemprothese vrij bewegen. Om de extra grote flens volledig te ontplooiën helpt het de stemprothese te draaien en deze tegelijkertijd een klein beetje in de richting van de oesofagus te duwen. Maak bij twijfel gebruik van een flexibele endoscoop om correcte plaatsing in de oesofagus te bevestigen.

Goede werking testen

2. Borstel de Provox Vega XtraSeal met de Provox Brush. Test de juiste werking van de prothese door de patiënt te vragen te spreken en door de prothese te observeren op lekken terwijl de patiënt water drinkt (afbeelding 13.2).

Het veiligheidsbandje afknippen

3. Knip het veiligheidsbandje af zodat deze gelijk is aan de tracheale flens (afbeelding 14) nadat de juiste plaatsing van de stemprothese is gecontroleerd. De stemprothese is nu klaar voor gebruik.

2.6 Afvoer

Volg bij het afvoeren van een gebruikt medisch hulpmiddel altijd de medische praktijk en nationale voorschriften met betrekking tot biologisch gevaar.

3. Informatie voor de patiënt

3.1 Algemene informatie

Zorg ervoor dat de patiënt begrijpt dat deze contact moet opnemen met de behandelaar als:

- er lekkage optreedt via of rond de prothese (hoesten en/of kleurverandering van het slijm);
- het spreken moeilijk gaat (meer inspanning vergt en/of geforceerder klinkt);
- er tekenen van ontsteking of weefselveranderingen in het gebied van de punctie of stoma zijn (pijn, warmte, zwelling, bloedsproten op de borstel na het borstelen).

Stel de patiënt ook op de hoogte dat:

- bloedsproten in sputum kunnen worden aangetroffen na vervanging van de prothese. Dit kan afkomstig zijn van granulatieweefsel aan de rand van de tracheo-oesofageale-punctie;

- de Provox Vega Plug kan worden gebruikt om lekkage via de stemprothese tijdelijk te stoppen;
- spraaktrainingssessies met een opgeleide logopedist worden aanbevolen om optimaal stemgeluid, vloeiende spraak en optimale verstaanbaarheid te bereiken.

3.2 Onderhoud van de prothese

Instrueer de patiënt wanneer en hoe de Provox Vega XtraSeal stemprothese moet worden gereinigd. De prothese minstens tweemaal daags reinigen kan de levensduur van het hulpmiddel helpen verlengen.

LET OP: Gebruik bij het reinigen van de prothese alleen originele Provox-accessoires die bedoeld zijn voor gebruik met de Provox Vega.

- Het borstelen van de prothese ten minste tweemaal daags met de Provox Brush helpt om slijm en etenresten uit de prothese te verwijderen.
- Het spoelen van de prothese met de Provox Flush helpt bij het verwijderen van vuil en slijm uit de prothese, wat de levensduur van het hulpmiddel kan helpen verlengen.
Opmerking: De Provox Flush is uitsluitend bedoeld voor eenmalig gebruik door patiënten die, naar beoordeling van de behandelaar die het hulpmiddel heeft voorgeschreven, het vermogen hebben getoond de gebruiksaanwijzing te begrijpen en consistent op te volgen zonder toezicht van een clinicus.
- Bepaalde aanpassingen in voeding, zoals de dagelijkse consumptie van yoghurt of karnemelk die lactobacillus bevatten, worden beschouwd als nuttige maatregelen tegen buitensporige groei van Candida.

Raadpleeg de instructies voor elke accessoire voor uitgebreide informatie over het reinigen van de Provox Vega.

4. Aanvullende informatie

4.1 Compatibiliteit met MRI, röntgenonderzoek en radiotherapie

Provox Vega XtraSeal stemprothesen zijn getest en compatibel bevonden voor Magnetic Resonance Imaging (getest tot 3 Tesla), röntgenopnamen en radiotherapie (getest tot 70 Gy). De prothese kan gedurende onderzoeks-/behandelsessies in de tracheo-oesofagale-punctie aanwezig blijven. Let op dat de radiopake klemzitting zichtbaar is op een röntgenopname.

4.2 Levensduur van het hulpmiddel

De levensduur van het hulpmiddel varieert, afhankelijk van individuele biologische omstandigheden. Het is niet mogelijk om de integriteit van het hulpmiddel over een langere periode te voorspellen. Het materiaal van het hulpmiddel zal worden aangetast door bijvoorbeeld bacteriën en gisten, en de structurele integriteit van het hulpmiddel zal uiteindelijk verslechteren.

Uit laboratoriumonderzoek blijkt dat het hulpmiddel in afwezigheid van bacteriën en gisten zijn structurele integriteit behoudt gedurende 12 maanden van gesimuleerd gebruik. Het hulpmiddel is niet getest voor gebruik na 12 maanden. Gebruik voorbij deze grens is uitsluitend ter beoordeling door de voorschrijver.

4.3 Compatibiliteit met antimycotica

Uit laboratoriumonderzoek blijkt dat gebruik van de volgende antimycotica slechts een licht negatieve invloed heeft op de functie van de Provox Vega stemprothese en componenten: nystatine, fluconazol en miconazol.

4.4 Hulp voor de gebruiker

Zie het achterblad van deze gebruiksaanwijzing voor de contactgegevens voor aanvullende hulp of informatie.

5. Meldingen

Let op: elk ernstig incident dat zich in verband met het hulpmiddel heeft voorgedaan, moet worden gemeld aan de fabrikant en de nationale autoriteit van het land waar de gebruiker en/of de patiënt woont.

Provox Vega XtraSeal

1. Description générale

1.1 Utilisation prévue

La prothèse phonatoire Provox Vega est une prothèse phonatoire (à demeure) unidirectionnelle stérile et à usage unique conçue pour la réhabilitation vocale après une ablation chirurgicale du larynx (laryngectomie). Le nettoyage de la prothèse phonatoire est effectué par le patient pendant que la prothèse reste in situ.

Le Provox Insertion System est un dispositif stérile à usage unique conçu pour le remplacement antérograde de la prothèse phonatoire Provox Vega. La procédure de remplacement est effectuée par un médecin ou un professionnel de santé formé en conformité avec les directives locales ou nationales.

Le Provox Insertion System n'est pas conçu pour être utilisé pour l'insertion d'une prothèse phonatoire dans une ponction réalisée récemment.

1.2 Description du dispositif

Généralités

La prothèse phonatoire Provox Vega est une valve (prothèse) unidirectionnelle permettant de garder la ponction trachéo-œsophagienne ouverte pour la phonation tout en diminuant le risque de pénétration de la nourriture et des fluides dans la trachée. La prothèse phonatoire Provox Vega n'est pas un implant permanent et elle nécessite un remplacement régulier. La prothèse (Fig. 1) est disponible en différents diamètres et plusieurs longueurs.

La Provox Vega XtraSeal est dotée d'une collerette œsophagienne supplémentaire élargie, destinée à résoudre les problèmes liés aux fuites autour de la prothèse phonatoire. Elle est en caoutchouc de silicone de qualité médicale et fluoroplastique.

Emballage Provox Vega XtraSeal

L'emballage Provox Vega XtraSeal contient les éléments suivants :

- 1 prothèse phonatoire Provox Vega XtraSeal pré-assemblée dans un Insertion System stérile à usage unique (Fig. 2)
- 1 brosse Provox Brush de taille correspondant à la prothèse phonatoire, non stérile
- 1 manuel du praticien Provox Vega XtraSeal
- 1 manuel pour le patient Provox Vega
- 1 mode d'emploi de la brosse Provox Brush

1.3 CONTRE-INDICATIONS

Il n'existe aucune contre-indication connue à l'utilisation ou au remplacement d'une prothèse phonatoire Provox Vega chez les patients bénéficiant déjà de la réhabilitation vocale prothétique.

1.4 AVERTISSEMENTS

- **Le déplacement ou l'extrusion de la prothèse phonatoire Provox Vega** de la ponction trachéo-œsophagienne, ainsi que son ingestion, son aspiration ou des lésions tissulaires, peuvent survenir. Un corps étranger dans les voies aériennes peut entraîner des complications graves, telles qu'une détresse respiratoire aiguë et/ou un arrêt respiratoire.
- **Choisissez la bonne taille de prothèse.** Un ajustement trop serré peut entraîner une nécrose tissulaire et l'extrusion.
- **Indiquez au patient de consulter immédiatement un médecin** en cas de signes d'œdème et/ou d'inflammation/infection.
- **Recommandez au patient de consulter un médecin** en cas de fuite à travers ou autour de la prothèse phonatoire. Une fuite pourrait entraîner une pneumonie d'aspiration.
- **En cas d'utilisation de canules de laryngectomie ou de boutons de trachéostomie,** choisissez des dispositifs de forme adaptée qui n'exercent aucune pression sur la prothèse ou ne s'accrochent pas à la collerette trachéale de la prothèse pendant leur insertion et leur retrait. Cela pourrait entraîner des lésions tissulaires graves et/ou la prothèse pourrait être avalée accidentellement.
- **Recommandez au patient d'utiliser uniquement les accessoires Provox** d'origine de taille appropriée (brosse, poire de rinçage, bouchon) pour l'entretien et d'éviter tout autre type de manipulation.
- **La réutilisation et le retraitement** peuvent provoquer une contamination croisée ou l'endommagement du dispositif, ce qui pourrait causer préjudice au patient.

1.5 PRÉCAUTIONS

- Évaluez attentivement tout patient présentant des troubles de coagulation ou sous traitement anticoagulant pour déterminer les risques d'hémorragie, avant la mise en place ou le remplacement de la prothèse.
- Inspectez l'emballage avant utilisation. Si l'emballage est endommagé ou a été ouvert, n'utilisez pas le produit.
- Utilisez toujours une technique aseptique lors de la manipulation de la prothèse afin de réduire le risque d'infection.

2. Mode d'emploi

2.1 Sélection de la taille de la prothèse phonatoire

Veillez à utiliser une prothèse phonatoire Provox Vega XtraSeal du diamètre et de la longueur de fût corrects. La prothèse Provox Vega XtraSeal est disponible en différentes combinaisons de longueurs/diamètres.

- **Sélection du diamètre de fût**

Le praticien doit déterminer le diamètre de prothèse adapté au patient.

Si le diamètre sélectionné est plus grand que la précédente prothèse, la ponction doit être dilatée, en utilisant le Provox Dilator, en fonction du diamètre de la prothèse insérée.

Si une prothèse avec un diamètre de fût inférieur est insérée, assurez-vous que la ponction rétrécit au diamètre approprié.

- **Sélection de la longueur de fût**

Pour sélectionner la longueur correcte, vous pouvez utiliser la prothèse actuelle comme instrument de mesure.

Si l'espace entre la collerette trachéale de l'ancienne prothèse et la paroi muqueuse est trop important (c.-à-d. 3 mm/~0,12 pouces ou plus), une prothèse plus courte doit être employée.

Si l'ajustement de la prothèse est trop serré, une prothèse plus longue doit être employée.

Remarque : du fait de la collerette œsophagienne élargie, le fût de la prothèse Provox Vega XtraSeal est plus petit d'environ 1 mm que la taille indiquée.

2.2 Préparation

(Fig. 3-6)

Positionnement de la prothèse phonatoire

1. Vérifiez que la prothèse phonatoire est correctement positionnée sur la tige d'introduction, solidement fixée, et que l'extrémité de la tige est enfoncée dans l'anneau bleu de la prothèse phonatoire (Fig. 3).

Déploiement de la collerette œsophagienne

2. Vérifiez que la tige d'introduction est correctement positionnée avec le dispositif de déploiement (la tige doit être encliquetée dans le dispositif de déploiement).
3. Comprimez le dispositif de déploiement avec deux doigts (Fig. 4).
4. Fixez le tube de chargement tout en maintenant le dispositif de déploiement fermé et tournez le tube de chargement jusqu'à ce qu'il s'enclenche (Fig. 5).

Chargement

5. Poussez la tige d'introduction jusqu'à ce que la prothèse phonatoire soit alignée avec l'anneau visible du tube de chargement (Fig. 6).

Retrait de l'ancienne prothèse phonatoire

6. Retirez l'actuelle (ancienne) prothèse de la ponction trachéo-œsophagienne en la tirant à l'aide d'une pince hémostatique sans griffes. Le praticien peut également choisir de saisir la collerette trachéale de la prothèse à l'aide d'une pince à préhension et de la couper. Le reste de la prothèse est ensuite enfoncé dans l'œsophage pour passer dans les voies intestinales. Les antécédents de maladies intestinales du patient doivent être pris en compte avant d'utiliser cette méthode.

Préparation de la ponction (facultatif)

7. La ponction peut être dilatée pour préparer l'insertion de la prothèse phonatoire. Cela n'est généralement pas nécessaire mais peut faciliter l'insertion de la prothèse chez les patients avec une ponction décalée ou étroite qui s'affaisse facilement.

2.3 Insertion, procédure de remplacement antérograde

(Fig. 7-10)

MISE EN GARDE : la Provox Vega XtraSeal avec collerette œsophagienne élargie doit être mise en place par dépassement pour garantir le déploiement de la collerette œsophagienne supplémentaire élargie et de la collerette œsophagienne dans la lumière de l'œsophage. Le dépassement signifie que la prothèse est intégralement déployée dans l'œsophage, puis rétractée dans la position prévue.

1. **Retrait du dispositif de déploiement (facultatif)**

Une fois la prothèse enfoncée dans le tube de chargement, retirez le dispositif de déploiement en le déverrouillant et en le détachant du tube de chargement (Fig. 7).

2. **Insertion dans la ponction trachéo-œsophagienne**

Maintenez le Provox Insertion System par le tube de chargement. Insérez l'extrémité du tube de chargement dans la ponction trachéo-œsophagienne. Procédez avec précaution en cas de résistance. Dans ce cas, l'insertion peut être facilitée par dilatation et/ou lubrification.

3. **Insertion de la prothèse phonatoire**

Maintenez le tube de chargement stable avec une main et poussez la tige d'introduction avec l'autre main au-delà de la surface de préhension proximale (Fig. 8). À ce stade, la prothèse phonatoire est intégralement déployée dans l'œsophage (Fig. 9).

En cas d'insertion par dépassement avec le dispositif de déploiement toujours fixé, poussez la tige d'introduction au-delà de la surface de préhension distale (Fig. 10). À ce stade, la prothèse phonatoire est intégralement déployée dans l'œsophage (Fig. 9).

4. Libération de la prothèse phonatoire

Tirez le tube de chargement tout droit hors de la ponction. La prothèse reste dans l'œsophage, toujours solidement fixée à la tige d'introduction. Saisissez la collerette trachéale à l'aide d'une pince hémostatique sans griffes et tirez/faites pivoter la prothèse phonatoire en place.

5. Finalisation de la procédure

Après l'insertion, finalisez la procédure comme décrit ci-dessous dans la section 2.5.

2.4 Assemblage et rechargement du Provox Insertion System

Si la première tentative d'insertion de la prothèse phonatoire Provox Vega XtraSeal dans la ponction trachéo-œsophagienne a échoué, il est possible de la recharger dans le Provox Insertion System.

Positionnement de la prothèse phonatoire

1. Montez la prothèse phonatoire, côté trachéal orienté vers le bas sur la tige d'introduction.
2. Fixez la tige de sécurité en l'insérant dans la fente de fixation de chaque côté.
3. Vérifiez que la prothèse phonatoire est correctement positionnée sur la tige d'introduction, solidement fixée, et que l'extrémité de la tige est enfoncée dans l'anneau bleu de la prothèse phonatoire (Fig. 3). Raccordez le dispositif de déploiement.
4. Guidez la tige d'introduction dans l'ouverture du dispositif de déploiement jusqu'à ce qu'elle s'enclenche. Tirez la tige jusqu'à ce qu'elle soit encliquetée dans le dispositif de déploiement (Fig. 11). Le Provox Insertion System est maintenant prêt pour la préparation. Continuez la préparation comme décrit ci-dessus dans la section 2.2.

MISE EN GARDE : ne rechargez pas la prothèse plus de deux fois. Si la prothèse phonatoire Provox Vega semble endommagée, ne l'utilisez pas.

2.5 Finalisation de la procédure

Après l'insertion :

Vérification de l'ajustement

1. Vérifiez que la prothèse phonatoire est correctement positionnée en faisant pivoter et en tirant doucement la tige d'introduction (Fig. 12). La prothèse est dans une position idéale lorsque la tige de sécurité pointe vers le bas.

MISE EN GARDE : assurez-vous que les deux collerettes œsophagiennes sont déployées dans la lumière de l'œsophage. Aucune partie de la collerette œsophagienne élargie ne doit être visible le long du fût de la prothèse phonatoire et la prothèse phonatoire doit se déplacer librement lorsqu'elle est pivotée. Faire pivoter la prothèse phonatoire tout en la poussant légèrement vers l'œsophage peut faciliter le déploiement intégral de la collerette œsophagienne élargie. En cas de doute, utilisez un endoscope flexible pour confirmer la mise en place correcte dans l'œsophage.

Test du fonctionnement

2. Brossez la prothèse Provox Vega avec la brosse Provox Brush. Assurez-vous que la prothèse fonctionne correctement en demandant au patient de parler et en vérifiant qu'elle ne fuit pas lorsque le patient boit de l'eau (Fig. 13.2).

Sectionnement de la tige de sécurité

3. Après avoir vérifié que la prothèse phonatoire est correctement mise en place, coupez la tige de sécurité au ras de la collerette trachéale (Fig. 14). La prothèse phonatoire est désormais prête à être utilisée.

2.6 Élimination

Toujours respecter la pratique médicale et les directives nationales concernant les risques biologiques lorsque vous mettez au rebut un dispositif médical usagé.

3. Informations importantes pour le patient

3.1 Généralités

Assurez-vous que le patient comprend qu'il doit contacter son praticien :

- en cas de fuites à travers ou autour de la prothèse (toux et/ou changement de couleur du mucus) ;
- si la phonation devient difficile (effort plus grand et/ou voix plus cassée) ;
- en cas de signes d'inflammation ou de modifications des tissus au niveau de la ponction ou du trachéostome (douleur, rougeur, chaleur, gonflement, traces de sang sur la brosse après le nettoyage).

Informez également le patient que :

- après le remplacement d'une prothèse, des traces de sang peuvent apparaître dans les crachats. Cela peut être dû à la formation de tissu de granulations sur les bords de la ponction trachéo-œsophagienne ;
- le bouchon Provox Vega Plug peut être utilisé pour arrêter temporairement les fuites à travers la prothèse phonatoire ;
- des sessions de formation à la phonation avec un praticien formé sont conseillées pour retrouver une voix optimale, une phonation fluide et une intelligibilité parfaite.

3.2 Entretien de la prothèse

Expliquez au patient quand et comment nettoyer la prothèse phonatoire Provox Vega

XtraSeal. Le fait de nettoyer la prothèse au moins deux fois par jour peut prolonger la durée de vie de la prothèse.

MISE EN GARDE : utilisez uniquement des accessoires Provox d'origine, prévus pour être utilisés avec la prothèse Provox Vega lors de son nettoyage.

- Le brossage de la prothèse deux fois par jour à l'aide de la brosse Provox Brush permet de retirer le mucus et les restes de nourriture de la prothèse.
- Le rinçage de la prothèse à l'aide de la poire de rinçage Provox Flush contribue également à nettoyer les débris et le mucus de la prothèse, ce qui permet d'augmenter la durée de vie du dispositif.

Remarque : la poire de rinçage Provox Flush est uniquement destinée à une utilisation par des patients ayant fait preuve de leur capacité à comprendre et à suivre fidèlement le mode d'emploi sans la supervision du praticien prescripteur.

- Certaines mesures diététiques, telles que la prise de yaourt ou de babeurre contenant des lactobacilles, sont considérées comme contribuant à la lutte contre une croissance excessive du candida.

Pour des informations détaillées sur le nettoyage d'une prothèse Provox Vega, consultez le mode d'emploi de chaque accessoire.

4. Informations supplémentaires

4.1 Compatibilité avec un examen IRM, la radiographie et la radiothérapie

Les prothèses phonatoires Provox Vega XtraSeal ont été testées et jugées compatibles avec l'imagerie par résonance magnétique (testées jusqu'à 3 tesla), la radiographie et la radiothérapie (testées jusqu'à 70 Gy). Les prothèses peuvent rester dans la ponction trachéo-œsophagienne pendant l'examen/la séance de thérapie. Notez que le siège radio-opaque de la valve est visible sur les radiographies.

4.2 Durée de vie du dispositif

La durée de vie varie selon les données biologiques individuelles et il n'est pas possible de prédire l'intégrité du dispositif sur une longue période. Les matériaux du dispositif peuvent être affectés notamment par des bactéries ou des levures, ce qui peut finalement détériorer l'intégrité structurelle du dispositif.

Les tests en laboratoire d'utilisation simulée pendant une période de test de 12 mois montrent qu'en l'absence de bactéries et de levures, l'intégrité structurelle du dispositif est maintenue pendant cette période. L'utilisation du dispositif n'a pas été simulée au-delà de 12 mois. Une utilisation au-delà de cette limite engage la responsabilité exclusive du prescripteur.

4.3 Compatibilité avec des médicaments antifongiques

Les tests conduits en laboratoire ne mettent en évidence qu'une influence négative mineure sur le fonctionnement de la prothèse phonatoire Provox Vega et de ses composants, suite à l'utilisation des médicaments antifongiques suivantes : nystatine, fluconazole, miconazole.

4.4 Informations d'aide à l'utilisateur

Pour de l'aide ou des informations supplémentaires, voir les informations de contact sur la quatrième de couverture de ce mode d'emploi.

5. Signalement

Noter que tout incident grave survenu en relation avec le dispositif doit être signalé au fabricant et à l'autorité nationale du pays dans lequel l'utilisateur et/ou le patient réside.

ITALIANO

Provox Vega XtraSeal

1. Informazioni descrittive

1.1 Uso previsto

La protesi vocale Provox Vega è una protesi fonatoria a permanenza sterile e monouso indicata per la riabilitazione vocale dopo rimozione chirurgica della laringe (laringectomia). La pulizia della protesi vocale viene effettuata dal paziente lasciandola in sede.

L'introduttore Provox Insertion System è un dispositivo sterile monouso indicato per la sostituzione anterogada della protesi vocale Provox Vega. La procedura di sostituzione viene eseguita da un medico o da personale sanitario opportunamente istruito in conformità alle linee guida locali o nazionali.

Provox Insertion System non è indicato per l'inserimento di una protesi vocale in una fistola appena eseguita.

1.2 Descrizione del dispositivo

Informazioni generali

Provox Vega è una valvola monodirezionale (protesi) che utilizza una fistola TE aperta per la fonazione, riducendo al tempo stesso il rischio di ingresso di liquidi e cibo nella trachea. La protesi vocale Provox Vega non è un impianto permanente e richiede sostituzioni periodiche. La protesi (Fig. 1) è disponibile in diversi diametri e lunghezze. Provox Vega XtraSeal ha una flangia esofagea allargata aggiuntiva che è destinata a risolvere problemi di perdite intorno alla protesi vocale.

Il dispositivo è realizzato in silicone medicale e materiale fluoroplastico.

Confezione di Provox Vega XtraSeal

La confezione di Provox Vega XtraSeal contiene i seguenti articoli:

- 1 protesi vocale Provox Vega XtraSeal pre-assemblata in un Insertion System (sistema di inserimento) monouso e sterile (Fig. 2)
- 1 Provox Brush (spazzolino) di misura corrispondente alla protesi vocale, non sterile
- 1 manuale per il medico di Provox Vega XtraSeal
- 1 manuale per il paziente di Provox Vega
- 1 Istruzioni per l'uso dello spazzolino Provox Brush

1.3 CONTROINDICAZIONI

Non sono note controindicazioni all'uso o alla sostituzione della protesi vocale Provox Vega in pazienti già sottoposti a riabilitazione vocale protesica.

1.4 AVVERTENZE

- **Lo spostamento o l'estrusione della protesi vocale Provox Vega** dalla fistola TE è una possibile evenienza che può causare ingestione, aspirazione o danni ai tessuti. La presenza di un corpo estraneo nelle vie aeree può determinare severe complicazioni quali distress respiratorio acuto e/o arresto respiratorio.
- **Scegliere una protesi di dimensioni appropriate.** Una misura troppo grande può causare necrosi tissutale ed estrusione.
- **Informare il paziente che deve rivolgersi immediatamente a un medico** in caso di segni di edema tissutale e/o di infiammazione/infezione.
- **Informare il paziente che deve consultare un medico** in caso di perdite attraverso o intorno alla protesi vocale. Eventuali perdite possono causare la polmonite ab ingestis.
- **Se occorre utilizzarli, scegliere cannule per laringectomia o bottoni stomali** di forma idonea affinché non esercitino pressione sulla protesi e non si aggancino alla flangia tracheale durante il loro inserimento o la loro rimozione, in quanto ciò può causare severi danni ai tessuti e/o l'ingestione accidentale della protesi.
- **Informare il paziente che per la manutenzione devono essere utilizzati solo accessori Provox originali** e di dimensioni corrispondenti (spazzolino Brush, irrigatore Flush, tappo Plug) e che deve essere evitato qualsiasi altro tipo di manipolazione.
- **Il riutilizzo e il ricondizionamento** possono causare la contaminazione incrociata e danni al dispositivo, con conseguenti possibili lesioni ai pazienti.

1.5 PRECAUZIONI

- Valutare con attenzione tutti i pazienti con problemi di coagulazione o sottoposti a terapia anticoagulante prima di posizionare o sostituire la protesi, per evitare il rischio di sanguinamento o di emorragia.
- Prima dell'uso, controllare la confezione. Se appare danneggiata o aperta non usare il prodotto.
- Usare sempre una tecnica asettica nel maneggiare la protesi per ridurre il rischio di infezione.

2. Istruzioni per l'uso

2.1 Scegliere le dimensioni della protesi vocale

Accertarsi di usare una protesi vocale Provox Vega XtraSeal di diametro e lunghezza del corpo appropriati. Provox Vega XtraSeal è disponibile in diverse combinazioni di lunghezza/diametro.

• Scegliere il diametro del corpo

Il medico deve stabilire il diametro della protesi adeguato per il paziente.

Se il diametro scelto è superiore rispetto a quello della protesi precedente, la fistola deve essere dilatato usando il Provox Dilator (dilatatore) appropriato per il diametro della protesi da inserire.

Se invece viene inserito un corpo con un diametro più piccolo, osservare e verificare che la fistola si restringa fino a raggiungere il diametro adeguato.

• Scegliere la lunghezza del corpo

Per scegliere la lunghezza corretta, è possibile utilizzare la protesi esistente come dispositivo di misurazione.

In presenza di uno spazio eccessivo (cioè 3 mm/~0,12 pollici o superiore) tra la flangia tracheale della vecchia protesi e la parete della mucosa, è necessario utilizzare una protesi più corta.

Se l'assetto della protesi risulta troppo stretto, usare una protesi più lunga.

Nota: il corpo di Provox Vega XtraSeal è circa 1 mm più corto rispetto alla misura indicata a causa della flangia esofagea allargata.

2.2 Preparazione

(Fig. 3–6).

Posizionare la protesi vocale

1. Verificare che la protesi vocale sia adeguatamente posizionata sul perno introduttore, saldamente collegata e con la punta del perno completamente inserita nell'anello blu della protesi vocale (Fig. 3).

Piegare la flangia esofagea

2. Verificare che il perno introduttore sia correttamente posizionato con lo strumento pieghevole (il perno deve scattare all'interno dello strumento pieghevole).
3. Chiudere lo strumento pieghevole con due dita (Fig. 4).
4. Collegare il tubo di caricamento tenendo lo strumento pieghevole chiuso e ruotandolo finché non si blocca in posizione (Fig. 5).

Caricare

5. Spingere in avanti il perno introduttore finché la protesi vocale risulta allineata con l'anello visibile sul tubo di caricamento (Fig. 6).

Rimuovere la vecchia protesi vocale

6. Rimuovere l'attuale (vecchia) protesi dalla fistola TE estraendola con un emostato non dentato. In alternativa, a discrezione del medico, la flangia tracheale della protesi può essere afferrata con le pinze e tagliata. La restante parte della protesi viene poi spinta nell'esofago per farla passare attraverso il tratto intestinale. Prima di usare questo metodo è necessario valutare l'anamnesi del paziente riguardo a eventuali patologie intestinali.

Preparare la fistola (facoltativo)

7. La fistola può essere dilatata per la preparazione all'inserimento della protesi vocale. Solitamente quest'operazione non è necessaria, ma può agevolare l'inserimento nei pazienti con fistole strette o angolate che tendono a collassare facilmente.

2.3 Inserimento, procedura di sostituzione anterogada

(Fig. 7–10).

ATTENZIONE: Provox Vega XtraSeal con flangia esofagea allargata deve essere posizionata usando la tecnica di overshooting per garantire che la flangia esofagea allargata aggiuntiva e la flangia esofagea si dispieghino entrambe all'interno del lume esofageo. Per overshooting si intende che l'intera protesi vocale viene dispiegata nell'esofago e poi retratta fino alla posizione desiderata.

1. Rimuovere lo strumento pieghevole (facoltativo)

Dopo aver spinto la protesi nel tubo di caricamento, rimuovere lo strumento pieghevole sganciandolo e scollegandolo dal tubo di caricamento (Fig. 7).

2. Inserire nella fistola TE

Tenere il Provox Insertion System dal tubo di caricamento. Inserire la punta del tubo di caricamento all'interno della fistola. Se si incontra resistenza procedere con cautela. In caso di resistenza, l'inserimento può essere agevolato tramite dilatazione e/o lubrificazione.

3. Inserire la protesi vocale

Tenere fermo il tubo di caricamento con una mano e spingere il perno introduttore con l'altra mano fino a superare la superficie ruvida prossimale (Fig. 8). A questo punto la protesi vocale è dispiegata completamente nell'esofago (Fig. 9).

Se l'inserimento con overshooting viene effettuato con lo strumento pieghevole assemblato, spingere il perno introduttore oltre la superficie ruvida distale (Fig. 10). A questo punto la protesi vocale è dispiegata completamente nell'esofago (Fig. 9).

4. Rilasciare la protesi vocale

Estrarre il tubo di caricamento dalla fistola. La protesi resta nell'esofago, ancora saldamente collegata al perno introduttore. Afferrare la flangia tracheale con un emostato non dentato e spingere/ruotare la protesi vocale in sede.

5. Finalizzare la procedura

Dopo l'inserimento, finalizzare la procedura come descritto sotto nella sezione 2.5

2.4 Assemblare e ricaricare il Provox Insertion System

Se il primo tentativo di inserire la Provox Vega XtraSeal nella fistola TE non è riuscito, è possibile ricaricare la protesi vocale nel Provox Insertion System.

Posizionare la protesi vocale

1. Montare la protesi vocale con il lato tracheale rivolto verso il basso sulla sommità del perno introduttore.
2. Collegare la stringa di sicurezza facendola passare dall'altro lato attraverso il foro di collegamento.
3. Verificare che la protesi vocale sia adeguatamente posizionata sul perno introduttore, saldamente collegata e con la punta del perno completamente inserita nell'anello blu della protesi vocale (Fig. 3). Collegare lo strumento pieghevole.
4. Guidare il perno introduttore attraverso l'apertura dello strumento pieghevole fino a sentire uno scatto. Tirare il perno finché non scatta nello strumento pieghevole (Fig. 11). Il Provox Insertion System è ora pronto per la preparazione. Continuare la preparazione come descritto sopra nella sezione 2.2.

ATTENZIONE: non ricaricare più di due volte. Non utilizzare la protesi vocale Provox Vega se presenta segni di danneggiamento.

2.5 Finalizzare la procedura

Dopo l'inserimento:

Verificare l'adattamento

1. Verificare che la posizione della protesi vocale sia corretta ruotando e tirando delicatamente il perno introduttore (Fig. 12). La protesi è nella posizione ideale quando la stringa di sicurezza è rivolta verso il basso.

ATTENZIONE: verificare che entrambe le flange esofagee siano dispiegate interamente nel lume dell'esofago. Nessuna parte della flangia esofagea allargata deve essere visibile lungo il corpo della protesi vocale e, quando ruotata, la protesi vocale deve muoversi liberamente. Ruotando la protesi vocale, spingendola allo stesso tempo delicatamente verso l'esofago, può aiutare a distendere completamente la flangia allargata. In caso di incertezza, usare un endoscopio flessibile per verificare il corretto posizionamento all'interno dell'esofago.

Testare la protesi vocale

2. Spazzolare la Provox Vega con il Provox Brush. Verificare l'adeguato funzionamento della protesi chiedendo al paziente di parlare e osservando che la protesi non perda quando il paziente beve acqua (Fig. 13.2).

Tagliare la stringa di sicurezza

3. Dopo aver verificato che la protesi vocale sia correttamente posizionata, tagliare la stringa di sicurezza in modo che sia a filo con la flangia tracheale (Fig. 14). La protesi vocale è ora pronta per l'uso.

2.6 Smaltimento

Attenersi sempre alle pratiche mediche e alle normative nazionali sui materiali biopericolosi per lo smaltimento di un dispositivo medico usato.

3. Informazioni importanti per il paziente

3.1 Informazioni generali

Verificare che il paziente abbia compreso che deve contattare il medico in caso di:

- Perdite perivalvolari o attraverso la protesi (tosse e/o variazione del colore del muco).
- Difficoltà di fonazione (maggiore sforzo e/o suoni vocali più deformati).
- Segni di infiammazione o di alterazione dei tessuti nella regione della fistola o dello stoma (dolore, rossore, calore, gonfiore, tracce di sangue sullo spazzolino dopo lo spazzolamento).

Informare inoltre il paziente che:

- Dopo la sostituzione di una protesi è possibile osservare tracce di sangue nell'espettorato, proveniente da tessuto di granulazione sui margini della fistola TE.
- Per arrestare temporaneamente le perdite dalla protesi vocale è possibile usare Provox Vega Plug (tappo).
- È consigliabile fare esercizi fonatori con un medico specializzato per acquisire un suono vocale ottimale, un linguaggio fluente e una intelligibilità ottimale.

3.2 Manutenzione della protesi

Spiegare al paziente quando e come pulire la propria protesi vocale Provox Vega XtraSeal. Pulire la protesi almeno due volte al giorno può aiutare a prolungare la durata del dispositivo.

ATTENZIONE: per la pulizia della protesi, usare solo accessori originali Provox indicati per l'uso con Provox Vega.

- Spazzolare la protesi con lo spazzolino Provox Brush due volte al giorno aiuta a rimuovere muco e residui di cibo.
- Inoltre, irrigare la protesi con Provox Flush aiuta a eliminare residui e muco dalla protesi, favorendo una maggiore durata del dispositivo.

Nota: Provox Flush è indicato per l'uso esclusivamente da parte di pazienti che, secondo la valutazione del medico che ha prescritto il dispositivo, hanno dimostrato capacità di comprensione e di attenersi costantemente alle istruzioni per l'uso senza la supervisione del medico.

- Alcuni accorgimenti dietetici, quali il consumo quotidiano di yogurt o latticello che contengono lactobacilli, sono considerati utili contro l'eccessiva crescita di Candida.

Per informazioni dettagliate su come pulire Provox Vega, consultare le istruzioni dei singoli accessori.

4. Informazioni aggiuntive

4.1 Compatibilità con MRI, raggi X e radioterapia

Le protesi vocali Provox Vega XtraSeal sono state testate e sono risultate compatibili con l'imaging tramite risonanza magnetica (testate fino a 3 Tesla), i raggi X e la radioterapia (testate fino a 70 Gy). La protesi può essere lasciata nella fistola TE durante l'esame/ il ciclo di terapia. Si noti che il corpo valvolare radiopaco è visibile ai raggi X.

4.2 Durata del dispositivo

La durata del dispositivo varia a seconda delle singole condizioni biologiche, pertanto non è possibile prevedere la durata dell'integrità su un periodo di tempo maggiore. Il materiale del dispositivo è soggetto all'influenza di batteri e lieviti, che possono ridurre l'integrità strutturale.

Test di laboratorio di uso simulato per un periodo di 12 mesi dimostrano che, in assenza di batteri e lieviti, il dispositivo mantiene la propria integrità strutturale per questo periodo di tempo. Il dispositivo non è stato testato per l'uso superiore a 12 mesi. L'uso oltre questo limite è ad esclusiva discrezione del prescrittore.

4.3 Compatibilità con i medicinali antifungini

Test di laboratorio dimostrano che l'uso dei seguenti farmaci antifungini ha solo effetti negativi minori sul funzionamento della protesi vocale Provox Vega e dei relativi componenti: Nystatin, Fluconazole e Miconazol.

4.4 Informazioni sull'assistenza agli utilizzatori

Per ulteriore assistenza o maggiori informazioni, fare riferimento al retro copertina delle presenti istruzioni per l'uso.

5. Segnalazioni

Si prega di notare che qualsiasi incidente grave verificatosi in relazione al dispositivo deve essere segnalato al fabbricante e all'autorità nazionale del Paese in cui risiede l'utilizzatore e/o il paziente.

ESPAÑOL

Provox Vega XtraSeal

1. Información descriptiva

1.1 Uso previsto

La prótesis de voz Provox Vega es una prótesis de voz permanente estéril de un solo uso indicada para la rehabilitación de la voz después de la extirpación quirúrgica de la laringe (laringectomía). La limpieza de la prótesis de voz la realiza el paciente mientras esta permanece colocada.

El Provox Insertion System es un dispositivo de un solo uso estéril indicado para la sustitución anterógrada de la prótesis de voz Provox Vega. Este procedimiento de sustitución lo lleva a cabo un médico o profesional médico capacitado, de acuerdo a las normas nacionales o locales.

El Provox Insertion System no está indicado para utilizarse en la inserción de una prótesis de voz en una punción reciente.

1.2 Descripción del dispositivo

General

La Provox Vega es una válvula (prótesis) de una vía que mantiene una punción traqueoesofágica (TE) abierta para el habla, a la vez que reduce el riesgo de entrada de líquidos y alimentos en la tráquea. La prótesis de voz Provox Vega no es un implante permanente y necesita sustituirse cada cierto tiempo. La prótesis (fig. 1) está disponible en distintos diámetros y varias longitudes.

La Provox Vega XtraSeal tiene una pestaña esofágica agrandada adicional que está indicada para solventar problemas con la fuga alrededor de la prótesis de voz.

El dispositivo está fabricado con goma de silicona de tipo médico y fluoroplástico.

Paquete de la Provox Vega XtraSeal

El paquete de la Provox Vega XtraSeal contiene los siguientes elementos:

- 1 Prótesis de voz Provox Vega XtraSeal premontada en un sistema de inserción de un solo uso, estéril (fig. 2)
- 1 Provox Brush (cepillo) del tamaño correspondiente a la prótesis de voz, no estéril
- 1 Manual del médico de la Provox Vega XtraSeal
- 1 Manual del paciente de la Provox Vega
- 1 Instrucciones de uso del Provox Brush (cepillo)

1.3 CONTRAINDICACIONES

No existen contraindicaciones conocidas en el uso o sustitución de una prótesis de voz Provox Vega entre pacientes que ya utilizan rehabilitación protésica de la voz.

1.4 ADVERTENCIAS

- **Puede producirse un desplazamiento o extrusión de la prótesis de voz Provox Vega** de la punción traqueoesofágica y producirse su ingestión, aspiración o daño en los tejidos. Un cuerpo extraño en la vía respiratoria puede provocar complicaciones graves como dificultad respiratoria y/o paro respiratorio.
- **Seleccione el tamaño de prótesis adecuado.** Un ajuste ceñido puede provocar necrosis tisular y extrusión.
- **Indique al paciente que consulte a su médico** inmediatamente si se produce algún signo de edema tisular y/o inflamación/infección.
- **Solicite al paciente que consulte con un médico** si se produce una fuga a través de la prótesis de voz o a su alrededor. Las fugas pueden provocar neumonía por aspiración.
- **Si se utilizan, seleccione tubos de laringectomía o botones de estoma** con una forma adecuada que no ejerzan presión sobre la prótesis ni se enganchen a la pestaña

traqueal durante la inserción o retirada del tubo de laringectomía o el botón de estoma. Esto puede provocar daños tisulares graves y/o la ingestión accidental de la prótesis.

- **Indique al paciente que utilice únicamente accesorios Provox originales** del tamaño correspondiente (Brush, Flush, Plug) para el mantenimiento y que evite cualquier otro tipo de manipulación.
- **La reutilización y el reprocesamiento** pueden provocar contaminación cruzada y el deterioro del dispositivo, lo que podría provocar lesiones al paciente.

1.5 PRECAUCIONES

- Evalúe cuidadosamente a los pacientes con trastornos hemorrágicos o a los que estén en tratamiento anticoagulante para ver el riesgo de hemorragia antes de la colocación o sustitución de la prótesis.
- Inspeccione el paquete antes de su uso. Si el paquete está dañado o abierto, no utilice el producto.
- Utilice siempre una técnica aséptica a la hora de manipular la prótesis para reducir el riesgo de infección.

2. Instrucciones de uso

2.1 Seleccionar el tamaño de la prótesis de voz

Asegúrese de utilizar una prótesis de voz Provox Vega XtraSeal del diámetro y longitud de eje adecuados. La Provox Vega XtraSeal está disponible en distintas combinaciones de longitud/diámetro.

• Selección del diámetro del eje

El médico debe terminar el diámetro adecuado de la prótesis correcta para el paciente.

Si el diámetro seleccionado es mayor que la prótesis anterior, la vía debe dilatarse mediante el Provox Dilator, correspondiente al diámetro de la prótesis que se va a insertar.

Si se inserta una prótesis con un diámetro de eje más pequeño, observe y asegúrese de que la punción se cierra hasta el diámetro correspondiente.

• Selección de la longitud del eje

Para seleccionar la longitud correcta, puede utilizar la prótesis actual como su propio dispositivo de medición.

Si hubiera demasiado espacio (es decir, 3 mm/~0,12 pulgadas, o más) entre la pestaña traqueal de la prótesis antigua y la pared de mucosa, deberá usarse una prótesis más corta.

Si la colocación de la prótesis es demasiado justa, deberá usarse una prótesis mayor.

Nota: El eje de la Provox Vega XtraSeal es aproximadamente 1 mm más corto que el tamaño indicado debido a la pestaña esofágica agrandada.

2.2 Preparación

(Fig. 3-6)

Colocación de la prótesis de voz

1. Asegúrese de que la prótesis de voz se coloca correctamente en la espiga de introducción, firmemente conectada, y con la punta de la espiga colocada hasta el interior del anillo azul de la prótesis de voz (fig. 3).

Doblar la pestaña esofágica

2. Verifique que la espiga de inserción está colocada correctamente con la herramienta de plegado (la espiga se encajará en la herramienta de plegado).
3. Apriete la herramienta de plegado con los dos dedos (fig. 4).
4. Conecte el tubo de carga mientras mantiene la herramienta de plegado cerrada y gire el tubo de carga hasta que quede bloqueado en su sitio (fig. 5).

Cargar

5. Presione la espiga de inserción hacia adelante hasta que se alinee la prótesis de voz con el anillo visible del tubo de carga (fig. 6).

Retirar la prótesis de voz antigua

6. Retire la prótesis actual (antigua) de la punción traqueoesofágica (TE) tirando hacia afuera con un hemostato no dentado. De forma alternativa, a discreción del médico, la pestaña traqueal de la prótesis puede agarrarse con unas pinzas y cortarse. El resto de la prótesis se empuja hacia el interior del esófago para pasar a través de los intestinos. Debe tenerse en cuenta el historial de enfermedades intestinales del paciente antes de utilizar este método.

Preparar la punción (opcional)

7. La punción puede dilatarse para preparar la inserción de la prótesis de voz. Esto normalmente no es necesario, pero puede facilitar la inserción en pacientes con punciones en ángulo o ceñidas que pueden plegarse fácilmente.

2.3 Procedimiento de inserción y sustitución anterógrada

(Fig. 7-10)

AVISO: La Provox Vega XtraSeal con pestaña esofágica agrandada debe colocarse mediante la técnica de inserción de la totalidad de la prótesis en el esófago sobrepasando la fistula para asegurar que la pestaña esofágica agrandada y la pestaña esofágica se colocan dentro del lumen esofágico. La inserción de la totalidad de la prótesis en el

esófago sobrepasando la fistula significa que se coloca la prótesis de voz entera en el esófago y, a continuación, se repliega a la posición prevista.

1. Retirar la herramienta de plegado (opcional)

Después de que la prótesis se haya introducido en el tubo de carga, retire la herramienta de plegado desbloqueándola y desconectándola del tubo de carga (fig. 7).

2. Introducir la punción traqueoesofágica (TE)

Sostenga el Provox Insertion System por el tubo de carga. Introduzca la punción con la punta del tubo de carga. Proceda con cuidado si encuentra resistencia. Si existe resistencia, la dilatación y/o lubricación puede facilitar la inserción.

3. Insertar la prótesis de voz

Sostenga el tubo de carga de forma estable con una mano y empuje la espiga de inserción con la otra más allá de la superficie de agarre proximal (fig. 8). En este punto, la prótesis de voz está completamente colocada en el esófago (fig. 9).

Si se realiza la inserción de la totalidad de la prótesis en el esófago sobrepasando la fistula (inserción con rebasamiento) con la herramienta de plegado montada, empuje la espiga de inserción más allá de la superficie de agarre distal (fig. 10). En este punto, la prótesis de voz está completamente colocada en el esófago (fig. 9).

4. Liberar la prótesis de voz

Tire del tubo de carga directamente desde la punción. La prótesis permanece en el esófago, aún conectada firmemente a la espiga de inserción. Agarre la pestaña traqueal con un hemostato no dentado y tire/gire la prótesis de voz a su lugar.

5. Finalizar el procedimiento

Después de la inserción, finalice el procedimiento como se describe más adelante en la sección 2.5.

2.4 Montaje y recarga del Provox Insertion System

Si el primer intento de inserción de la prótesis Provox Vega XtraSeal en la punción traqueoesofágica (TE) no fue correcto, es posible recargar la prótesis de voz en el Provox Insertion System.

Colocación de la prótesis de voz

1. Monte la prótesis de voz con el lado traqueal orientado hacia abajo sobre la parte superior de la espiga de inserción.
2. Conecte la banda de seguridad guiándola a través de la ranura de conexión en cualquier lado.
3. Asegúrese de que la prótesis de voz se coloca correctamente en la espiga de introducción, firmemente conectada y con la punta de la espiga colocada hasta el interior del anillo azul de la prótesis de voz (fig. 3). Conecte la herramienta de plegado.
4. Guíe la espiga de inserción a través de la apertura de la herramienta de plegado hasta que encaje en su lugar. Tire de la espiga hasta que esta se encaje en la herramienta de plegado. (Fig. 11). El Provox Insertion System ya está listo para la preparación. Continúe la preparación como se describe anteriormente en la sección 2.2.

AVISO: No recargar más de dos veces. Si la prótesis de voz Provox Vega muestra algún signo de daño, no la utilice.

2.5 Finalizar el procedimiento

Después de la inserción:

Asegurar un ajuste correcto

1. Asegure la correcta posición de la prótesis de voz girando y tirando con suavidad de la espiga de inserción (fig. 12). La prótesis estará en una posición correcta cuando la banda de seguridad apunte hacia abajo.

AVISO: Confirme que ambas pestañas esofágicas se han colocado completamente en el lumen del esófago. No debe quedar visible ninguna parte de la pestaña esofágica agrandada a lo largo del eje de la prótesis de voz y, al girarse, la prótesis de voz debe moverse con libertad. Girar la prótesis de voz al mismo tiempo que se la empuja ligeramente hacia el esófago puede ayudar a desplegar la pestaña agrandada completamente. En caso de duda, utilice un dispositivo de endoscopia flexible para confirmar la correcta colocación en el interior del esófago.

Probar el correcto funcionamiento

2. Cepille la Provox Vega con el Provox Brush (cepillo). Pruebe el correcto funcionamiento de la prótesis solicitando al paciente que hable y observando que la prótesis no presenta fugas cuando el paciente bebe agua (fig. 13.2).

Cortar la banda de seguridad

3. Después de asegurarse de que la prótesis de voz está colocada correctamente, corte la banda de seguridad para que esté a ras con la pestaña traqueal (fig. 14). La prótesis de voz ya está lista para su uso.

2.6 Eliminación

Al desechar un dispositivo médico usado, siga siempre la práctica médica y los requisitos nacionales sobre peligros biológicos.

3. Información importante del paciente

3.1 Información general

Asegurarse de que el paciente entiende que debe ponerse en contacto con su médico si:

- Existe una fuga a través o alrededor de la prótesis (tos y/o cambio de color de la mucosidad).

- Hablar se vuelve difícil (hay que hacer más esfuerzo y/o la voz suena más forzada).
- Hay signos de inflamación o el tejido cambia en la zona de punción o la región del estoma (dolor, rojez, calor, hinchazón, restos de sangre en el cepillo tras cepillarse).

Además, informar al paciente de que:

- Después de una sustitución de prótesis pueden encontrarse restos de sangre en los esputos. Esto puede proceder del tejido granular de los bordes de la punción traqueoesofágica.
- El Provox Vega Plug puede utilizarse para detener temporalmente la fuga a través de la prótesis de voz.
- Se aconseja asistir a sesiones de formación para el habla con un médico para obtener una inteligibilidad óptima, fluidez del habla y sonido de voz óptimo.

3.2 Mantenimiento de la prótesis

Instruya al paciente sobre cuándo y cómo debe limpiar la prótesis de voz Provox Vega XtraSeal. Limpiar la prótesis al menos dos veces al día puede prolongar la vida útil del dispositivo.

AVISO: Utilice únicamente accesorios Provox originales indicados para su uso con Provox Vega a la hora de limpiar la prótesis.

- Cepillar la prótesis con el Provox Brush (cepillo) dos veces al día ayudará a eliminar la mucosidad y los restos de comida de la prótesis.
- Purgar la prótesis con el Provox Flush (irrigador) también ayuda a limpiar los residuos y la mucosidad de la prótesis, lo que puede aumentar la vida útil del dispositivo.
Nota: El Provox Flush (irrigador) está indicado para utilizarse únicamente por pacientes que, evaluados por el médico que les prescribe el dispositivo, han demostrado la capacidad para comprender y seguir de forma continuada las instrucciones de uso sin la supervisión del médico.
- Algunas medidas dietéticas, como la ingesta diaria de yogur, mantequilla o leche que contengan lactobacilos, se consideran útiles contra el crecimiento excesivo de hongos.

Para obtener información detallada sobre cómo limpiar una prótesis Provox Vega, consulte las instrucciones de cada accesorio.

4. Información adicional

4.1 Compatibilidad con IRM, rayos X y radioterapia

Las prótesis de voz Provox Vega XtraSeal han sido probadas y se ha determinado que son compatibles con la imagen por resonancia magnética (probadas hasta 3 teslas), rayos X y terapia de radiación (probadas hasta 70 Gy). La prótesis puede dejarse dentro de la punción TE durante la sesión de exploración/terapia. Tenga en cuenta que el asiento de la válvula radiopaca es visible mediante rayos X.

4.2 Vida útil del dispositivo

En función de las circunstancias biológicas individuales, la vida útil del dispositivo varía y no resulta posible predecir la integridad del mismo a largo plazo. El material del dispositivo resultará afectado, por ejemplo, por bacterias y hongos, y la integridad estructural llegará un momento en que se deteriore.

Las pruebas de laboratorio de uso simulado durante un periodo de prueba de 12 meses muestran que, en ausencia de bacterias y hongos, el dispositivo mantendrá su integridad estructural durante ese periodo de tiempo. El dispositivo no se ha probado para su uso más allá de los 12 meses. El uso más allá de estos límites queda bajo la responsabilidad exclusiva del médico al cargo.

4.3 Compatibilidad con medicina antifúngica

Las pruebas de laboratorio solo muestran una reducida influencia negativa en la función de la prótesis de voz Provox Vega y sus componentes cuando se utilizan los siguientes antifúngicos: nistatina, fluconazol y miconazol.

4.4 Información de asistencia al usuario

Para obtener más ayuda o información, consulte los datos de contacto indicados en la contraportada de las instrucciones de uso.

5. Notificación

Tenga en cuenta que cualquier incidente grave que se haya producido en relación con el dispositivo se comunicará al fabricante y a la autoridad nacional del país en el que resida el usuario y/o el paciente.

Provox Vega XtraSeal

1. Informação descritiva

1.1 Utilização prevista

A prótese fonatória Provox Vega é uma prótese fonatória interna, estéril, para uma única utilização, destinada à reabilitação da voz após a remoção cirúrgica da laringe (laringectomia). A limpeza da prótese fonatória é realizada pelo paciente com a mesma colocada.

O Provox Insertion System é um dispositivo estéril para uma única utilização, destinado à substituição anterógrada da prótese fonatória Provox Vega. Este procedimento de substituição é realizado por um médico ou profissional médico com a devida formação, de acordo com as diretrizes locais ou nacionais.

O Provox Insertion System não se destina a ser utilizado para a inserção de uma prótese fonatória numa punção recente.

1.2 Descrição do dispositivo

Disposições gerais

A Provox Vega é uma válvula unidirecional (prótese) que mantém uma punção TE aberta para falar, reduzindo, simultaneamente, o risco da entrada de fluidos e alimentos na traqueia. A prótese fonatória Provox Vega não é um implante permanente e precisa de ser substituída periodicamente. A prótese (fig. 1) está disponível em diferentes diâmetros e vários comprimentos.

Provox Vega XtraSeal tem uma flange esofágica alargada adicional, concebida para solucionar problemas de fugas à volta da prótese fonatória.

O dispositivo é fabricado em borracha de silicone para uso médico e fluoroplástico.

Embalagem da Provox Vega XtraSeal

A embalagem da Provox Vega XtraSeal inclui o seguinte:

- 1 prótese fonatória Provox Vega XtraSeal pré-montada num sistema de inserção para uma única utilização, estéril (fig. 2)
- 1 Provox Brush (escova) de tamanho correspondente à prótese fonatória, não estéril
- 1 manual do profissional de saúde da Provox Vega XtraSeal
- 1 manual do paciente da Provox Vega
- 1 instruções de utilização da Provox Brush

1.3 CONTRAINDICAÇÕES

Não existem contraindicações conhecidas à utilização ou substituição de uma prótese fonatória Provox Vega entre pacientes que já utilizam prótese para reabilitação da voz.

1.4 ADVERTÊNCIAS

- **Pode ocorrer desalojamento ou extrusão da prótese fonatória Provox Vega** da punção TE e subsequente ingestão, aspiração ou lesões nos tecidos. A presença de um corpo estranho nas vias aéreas pode provocar complicações graves como, por exemplo, dificuldade respiratória aguda e/ou paragem respiratória.
- **Selecione o tamanho correto da prótese.** Um ajuste apertado pode causar necrose tecidual e extrusão da prótese.
- **Instrua o paciente para consultar imediatamente um médico** se surgirem sinais de edema e/ou inflamação/infeção dos tecidos.
- **Instrua o paciente para consultar um médico** caso ocorram fugas através ou à volta da prótese fonatória. As fugas podem provocar pneumonia por aspiração.
- **Se utilizados, escolha tubos de laringectomia ou botões de estoma** com um formato adequado, que não exerçam pressão na prótese nem fiquem presos na flange traqueal da prótese durante a inserção e remoção da cânula de laringectomia ou do botão de estoma. Isto pode levar a uma lesão tecidual grave e/ou ingestão acidental da prótese.
- **Instrua o paciente para utilizar apenas acessórios Provox genuínos** de tamanho correspondente (Brush, Flush, Plug) para manutenção e evite todos os outros tipos de manipulação.
- **A reutilização e o reprocessamento** podem causar contaminação cruzada e danificar o dispositivo, o que poderá provocar lesões no paciente.

1.5 PRECAUÇÕES

- Avalie cuidadosamente quaisquer pacientes com coagulopatias ou submetidos a tratamento anticoagulante quanto ao risco de sangramento ou hemorragia, antes da colocação ou substituição da prótese.
- Inspeccione a embalagem antes da utilização. Não utilize o produto se a embalagem estiver danificada ou aberta.
- Utilize sempre uma técnica asséptica durante o manuseamento da prótese para reduzir o risco de infeções.

2. Instruções de utilização

2.1 Seleção do tamanho da prótese fonatória

Assegure-se de que utiliza uma prótese fonatória Provox Vega XtraSeal com uma

haste de diâmetro e comprimento corretos. A Provox Vega XtraSeal está disponível em diferentes combinações de comprimento/diâmetro.

- **Selecionar o diâmetro da haste**

O profissional de saúde deve determinar o diâmetro correto da prótese adequada ao paciente.

Se o diâmetro selecionado for maior do que o da prótese anterior, é necessário dilatar o trato, utilizando o Provox Dilator (dilatador), de modo a adaptar-se ao diâmetro da prótese que está a ser inserida.

Se estiver a ser inserida uma prótese com um diâmetro de haste menor, observe e assegure-se de que a punção encolhe até ao diâmetro adequado.

- **Selecionar o comprimento da haste**

Para selecionar o comprimento correto, pode utilizar a prótese atual como o seu próprio dispositivo de medição.

Se existir demasiado espaço (ou seja, 3 mm/~0,12 polegadas, ou mais) entre a flange traqueal da prótese antiga e a parede mucosa, deve ser utilizada uma prótese mais curta.

Se o encaixe da prótese for demasiado justo, deve ser utilizada uma prótese mais comprida.

Nota: A haste da Provox Vega XtraSeal é cerca de 1 mm mais curta do que o tamanho indicado resultante da flange esofágica alargada.

2.2 Preparação

(Figura 3-6)

Posicione a prótese fonatória

1. Certifique-se de que a prótese fonatória está corretamente posicionada no pino de inserção, firmemente encaixada, e com a ponta do pino posicionada totalmente dentro do anel azul da prótese fonatória (fig. 3).

Dobre a flange esofágica

2. Verifique se o pino de inserção está corretamente posicionado com a ferramenta de dobragem (o pino deve ser encaixado na ferramenta de dobragem).
3. Una a ferramenta de dobragem, apertando-a com dois dedos (fig. 4).
4. Coloque o tubo de carregamento, mantendo a ferramenta de dobragem fechada, e rode o tubo de carregamento até o mesmo encaixar (fig. 5).

Carregue

5. Empurre o pino de inserção até que a prótese fonatória esteja alinhada com o anel visível no tubo de carregamento (fig. 6).

Retire a prótese fonatória antiga

6. Retire a prótese atualmente em uso (antiga) da punção TE, puxando-a para fora com uma pinça hemostática sem dentes. Em alternativa, ao critério do profissional de saúde, a flange traqueal da prótese pode ser apanhada com uma pinça e cortada. O resto da prótese é então empurrada para o esófago, para passagem através do trato intestinal. Antes de utilizar este método, deve considerar o historial do paciente relativamente a quaisquer patologias intestinais.

Prepare a punção (opcional)

7. A punção pode ser dilatada como preparação para a inserção da prótese fonatória. Isto não é, normalmente, necessário, mas pode facilitar a inserção em pacientes com punções anguladas ou apertadas, que colapsam facilmente.

2.3 Inserção, procedimento de substituição anterógrada

(Figura 7-10)

ATENÇÃO: A Provox Vega XtraSeal com flange esofágica alargada tem de ser colocada, utilizando a técnica de inserção total da prótese no esófago, para assegurar que a flange esofágica alargada adicional e a flange esofágica ficam ambas colocadas dentro do lúmen esofágico. A inserção total da prótese no esófago significa que a prótese completa é colocada dentro do esófago e, depois, retirada até à posição pretendida.

1. **Retire a ferramenta de dobragem (opcional)**

Depois da prótese ter sido colocada dentro do tubo de carregamento, retire a ferramenta de dobragem, desbloqueando-a e separando-a do tubo de carregamento (fig. 7).

2. **Penetre na punção TE**

Segure o Provox Insertion System pelo tubo de carregamento. Penetre na punção com a ponta do tubo de carregamento. Avance com cuidado se encontrar resistência. Em caso de resistência, a dilatação e/ou lubrificação podem facilitar a inserção.

3. **Insira a prótese fonatória**

Segure e estabilize o tubo de carregamento com uma mão e empurre o pino de inserção com a outra mão, para além da superfície de prensão proximal (fig. 8). Neste ponto, a prótese fonatória é totalmente colocada dentro do esófago (fig. 9). Se a inserção total for efetuada com a ferramenta de dobragem montada, empurre o pino de inserção para além da superfície de prensão distal (fig. 10). Neste ponto, a prótese fonatória é totalmente colocada dentro do esófago (fig. 9).

4. **Liberte a prótese fonatória**

Puxe o tubo de carregamento para fora da punção. A prótese permanece no esófago, ainda firmemente fixa no pino de inserção. Segure a flange traqueal com uma pinça hemostática sem dentes e puxe/rode a prótese fonatória até à posição adequada.

5. Finalize o procedimento

Após a inserção, finalize o procedimento como descrito abaixo, na secção 2.5.

2.4 Montagem e recarregamento do Provox Insertion System

Se a primeira tentativa de inserção da Provox Vega XtraSeal na punção TE não for bem sucedida, é possível recarregar a prótese fonatória no Provox Insertion System.

Posicione a prótese fonatória

1. Monte a prótese fonatória com o lado traqueal virado para baixo, sobre o pino de inserção.
2. Prenda a fita de segurança, passando-a através da ranhura de fixação, em qualquer um dos lados.
3. Certifique-se de que a prótese fonatória está corretamente posicionada no pino de inserção, firmemente encaixada, e com a ponta do pino posicionada totalmente dentro do anel azul da prótese fonatória (fig. 3). Encaixe a ferramenta de dobragem.
4. Oriente o pino de inserção através da abertura da ferramenta de dobragem até encaixar. Puxe o pino até que o mesmo fique preso na ferramenta de dobragem. (Figura 11). O Provox Insertion System está agora pronto para a preparação. Prossiga com a preparação conforme descrito acima na secção 2.2.

ATENÇÃO: Não recarregue mais do que duas vezes. Se a prótese fonatória Provox Vega apresentar quaisquer sinais de danos, não a utilize.

2.5 Finalização do procedimento

Após a inserção:

Certifique-se de que existe um ajuste adequado

1. Assegure um correto posicionamento da prótese fonatória, rodando e puxando com cuidado o pino de inserção (fig. 12). A prótese está numa posição ideal quando a fita de segurança está a apontar para baixo.

ATENÇÃO: Confirme que ambas as flanges esofágicas são totalmente colocadas dentro do lúmen do esôfago. Nenhuma parte da flange esofágica alargada deve estar visível ao longo da haste da prótese fonatória e, quando rodada, a prótese fonatória deverá mover-se livremente. A rotação da prótese fonatória, ao mesmo tempo que a empurra ligeiramente na direção do esôfago, poderá ajudar a desdobrar completamente a flange alargada. Em caso de dúvidas, utilize um endoscópio flexível para confirmar o correto posicionamento dentro do esôfago.

Realize um teste para verificar o correto funcionamento

2. Escove a Provox Vega com a Provox Brush. Realize um teste para verificar o correto funcionamento da prótese, pedindo ao paciente para falar e observando se a prótese apresenta fugas enquanto o paciente bebe água (fig. 13.2).

Corte a fita de segurança

3. Depois de se certificar de que a prótese fonatória está corretamente colocada, corte a fita de segurança que está alinhada com a flange traqueal (fig. 14). A prótese fonatória está agora pronta para ser utilizada.

2.6 Eliminação

Siga sempre as práticas médicas e os requisitos nacionais relativos a riscos biológicos ao eliminar um dispositivo médico usado.

3. Informações importantes para o paciente

3.1 Informações gerais

Certifique-se de que o paciente compreende que tem de contactar o respetivo profissional de saúde se:

- Existir uma fuga através ou à volta da prótese (tosse e/ou alteração da cor das mucosidades).
- A fala se tornar difícil (maior esforço e/ou a voz parecer mais forçada).
- Existirem quaisquer sinais de inflamação ou alterações nos tecidos na área da punção ou na região do estoma (dor, vermelhidão, calor, inchaço, vestígios de sangue na escova após a escovagem).

Informe também o paciente que:

- Após a substituição de uma prótese, poderá encontrar vestígios de sangue na expectoração. Este poderá ser proveniente de tecido de granulação nas extremidades da punção TE.
- O Provox Vega Plug (tampão) pode ser utilizado temporariamente para parar as fugas através da prótese fonatória.
- Aconselha-se a frequência de sessões de terapia da fala com um profissional de saúde com formação para conseguir um som vocal ideal, uma fala fluente e uma inteligibilidade ideal.

3.2 Manutenção da prótese

Instrua o paciente sobre quando e como limpar a sua prótese fonatória Provox Vega XtraSeal. A limpeza da prótese, pelo menos, duas vezes por dia, pode ajudar a prolongar a vida útil do dispositivo.

ATENÇÃO: Utilize apenas acessórios Provox genuínos, concebidos para utilização com a Provox Vega, ao limpar a prótese.

- Escovar a prótese duas vezes por dia com a Provox Brush irá ajudar a remover mucosidades e restos de comida da prótese.

- Limpar a prótese com o Provox Flush (irrigador) também ajuda a eliminar detritos e mucosidades da prótese, o que pode ajudar no aumento da vida útil do dispositivo. **Nota:** O Provox Flush destina-se a ser utilizado apenas por pacientes que, após avaliação do profissional de saúde que prescreve o dispositivo, tenham demonstrado serem capazes de compreender e de seguir, de forma consistente, as instruções de utilização sem a supervisão de um profissional de saúde.
- Algumas medidas dietéticas, como a ingestão diária de iogurte ou leiteiro contendo lactobacilos, são consideradas úteis contra o crescimento excessivo do fungo *Candida*.

Consulte informações detalhadas sobre como limpar uma Provox Vega nas instruções de utilização de cada acessório.

4. Informações adicionais

4.1 Compatibilidade com RM, raios X e radioterapia

As próteses fonatórias Provox Vega XtraSeal foram testadas e determinou-se que são compatíveis com exames de ressonância magnética (testadas até 3 Tesla), raios X e radioterapia (testadas até 70 Gy). As próteses podem permanecer na punção TE durante o exame/sessão de terapia. Observe que a sede da válvula radiopaca é visível na radiografia.

4.2 Vida útil do dispositivo

Dependendo das circunstâncias biológicas individuais, a vida útil do dispositivo varia, e não é possível prever a integridade do dispositivo durante um período de tempo mais longo. O material do dispositivo será afetado por, por exemplo, bactérias e fungos, e a integridade estrutural do dispositivo irá, eventualmente, deteriorar-se.

Testes realizados em laboratório, simulando a utilização durante um período de teste de 12 meses, demonstram que, na ausência de bactérias e fungos, o dispositivo irá manter a respetiva integridade estrutural durante este período de tempo. O dispositivo não foi testado para uma utilização superior a 12 meses. A utilização para além deste limite cabe exclusivamente ao profissional responsável pela prescrição.

4.3 Compatibilidade com medicação antifúngica

Os testes de laboratório mostram apenas uma pequena influência negativa na função da prótese fonatória Provox Vega e respetivos componentes, quando é utilizada a seguinte medicação antifúngica: niastina, fluconazol, miconazol.

4.4 Informação para assistência ao utilizador

Para obter ajuda ou informações adicionais, consulte a informação de contacto na contracapa das instruções de utilização.

5. Comunicação de incidentes

Tenha em atenção que qualquer incidente grave que tenha ocorrido, relacionado com o dispositivo, deve ser comunicado ao fabricante e à autoridade nacional do país onde o utilizador e/ou o paciente residem.

SVENSKA

Provox Vega XtraSeal

1. Beskrivning

1.1 Avsedd användning

Provox Vega röstventil är en steril icke återanvändbar röstventil för engångsbruk som är avsedd för röstrehabilitering efter kirurgisk borttagning av struphuvudet (laryngektomi). Rengöring av röstventilen görs av patienten medan den sitter på plats.

Provox Insertion System är en steril införingsverktyg för engångsbruk avsedd för byte av Provox Vega röstventil med användning av anterograd bytesmetod. Bytet görs av läkare eller utbildad sjukvårdspersonal enligt lokala eller nationella riktlinjer.

Provox Insertion System är inte avsedd att användas för införing av en röstventil i en nyligen gjord fistel.

1.2 Produktbeskrivning

Allmänt

Provox Vega röstventil är en envägsventil (protes) för engångsbruk som håller en TE-fistel öppen för tal samtidigt som den minskar risken för att vätska och mat kommer in i trakea (luftstrupen). Provox Vega röstventil är inte ett permanent implantat och måste bytas regelbundet. Röstventilen (fig. 1) finns tillgänglig i olika diametrar och i flera olika längder.

Provox Vega XtraSeal har en extra, större esofagealfläns avsedd att lösa problem med läckage runt röstventilen.

Enheten är tillverkad av silikongummi och röntgentät fluorplast av medicinsk kvalitet.

Förpackning med Provox Vega XtraSeal

Förpackningen med Provox Vega XtraSeal innehåller följande:

- 1 Provox Vega XtraSeal röstventil, förmonterad i ett införingsystem för engångsbruk, steril (fig. 2)
- 1 Provox Brush (rengöringsborste) i en storlek som motsvarar röstventilen, icke-steril
- 1 läkarmanual för Provox Vega XtraSeal
- 1 patientmanual för Provox Vega
- 1 bruksanvisning för Provox Brush (rengöringsborste)

1.3 KONTRAINDIKATIONER

Det finns inga kända kontraindikationer för användning eller byte av Provox Vega röstventil hos patienter som redan använder röstventil i samband med röstrehabilitering.

1.4 VARNINGAR

- **Om Provox Vega röstventil rubbas eller stöts ut** ur TE-fisteln kan det resultera i nedsväljning, aspiration eller vävnadsskada. Ett främmande föremål i luftvägarna kan förorsaka svåra komplikationer, som akut andnöd och/eller andningsstillestånd.
- **Välj rätt ventilstorlek.** En alltför trång passform kan orsaka vävnadsskada och leda till att röstventilen stöts ut.
- **Instruera patienten att rådgöra med en läkare** omedelbart om det finns några tecken på svullnad och/eller inflammation/infektion i vävnad.
- **Instruera patienten att kontakta läkare** om det uppstår läckage genom eller omkring röstventilen. Läckage kan leda till aspirationspneumoni.
- **Om laryngektomikanyler eller självhållande stomakanyler används,** välj sådana med lämplig form som inte trycker på röstventilen eller hakar i ventilens trakealfläns vid införing och borttagning av laryngektomikanylen eller den självhållande stomakanylen. Detta kan resultera i allvarlig vävnadsskada och/eller oavsiktlig nedsväljning av ventilen.
- **Instruera patienten om att endast Provox originaltillbehör** i motsvarande storlek (Provox Brush, Provox Flush, Provox Plug) ska användas för underhåll, samt att undvika alla andra former av manipulation av röstventilen.
- **Återanvändning och omarbetsning** kan medföra korskontamination och skada på enheten, vilket kan resultera i patientskada.

1.5 FÖRSIKTIGHETSÅTGÄRDER

- Gör en noggrann bedömning av patienter med blödningsrubbingar eller patienter som behandlas med antikoagulantia med avseende på blödningsrisken innan insättning eller byte av röstventilen.
- Kontrollera förpackningen före användning. Om förpackningen är skadad eller öppnad ska produkten inte användas.
- Använd alltid steril teknik vid hantering av röstventilen för att minska infektionsrisken.

2. Bruksanvisning

2.1 Välja storlek på röstventilen

Använd alltid en Provox Vega XtraSeal röstventil med rätt skaftdiameter och -längd. Provox Vega XtraSeal finns tillgänglig i olika längder/diametrar.

- **Välja skaftdiameter**
Läkaren ska avgöra vilken skaftdiameter för röstventilen som är lämpligast för patienten.
Om vald diameter är större än föregående röstventil måste fisteln utvidgas med hjälp av en Provox Dilator som passar för diametern på den röstventil som ska införas.
Om en röstventil med mindre diameter ska införas måste läkaren säkerställa att fisteln krymper till rätt diameter.
- **Välja skaftlängd**
För att välja rätt skaftlängd kan du använda den befintliga röstventilen som mått.
Om avståndet mellan den gamla röstventilens trakealfläns och slemhinneväggen är större än 3 mm ska en kortare ventil användas.
Om röstventilen sitter för trångt ska en längre ventil användas.
Observera! Skaftet på Provox Vega XtraSeal är ca 1 mm kortare än den angivna längden p.g.a. den större esofagealflänsen.

2.2 Förberedelser

(Fig. 3-6)

Placera röstventilen i rätt läge

1. Se till att röstventilen sitter rätt på införingsstiftet, att den är ordentligt fastsatt och att stiftets ände befinner sig hela vägen in i röstventilens blå ring (fig. 3).

Vik esofagealflänsen

2. Kontrollera att införingsstiftet är i rätt läge med vikverktyget (stiftet ska snäppas in på plats i vikverktyget).
3. Kläm ihop vikverktyget med två fingrar (fig. 4).
4. Sätt fast laddningsröret medan du håller vikverktyget stängt och vrid laddningsröret tills det låser i läge (fig. 5).

Laddning

5. Tryck fram införingsstiftet tills röstventilen är i linje med den synliga ringen på laddningsröret (fig. 6).

Ta bort den gamla röstventilen

6. Avlägsna den befintliga (gamla) röstventilen från TE-fisteln genom att dra ut den med en slät peang. Alternativt kan läkaren om han föredrar gripa tag

i röstventilens trakealfläns med peanger och skäras av. Resten av röstventilen trycks därefter in i esofagus (matstrupen) för passage igenom mag-tarmkanalen. Patientens historik avseende eventuell tarmsjukdom ska beaktas innan den här metoden används.

Förbereda fisteln (valfritt)

7. Fisteln kan utvidgas som förberedelse för införing av röstventilen. Det här behöver ofta inte göras, men kan underlätta införing i patienter med vinklade eller trånga fistlar som lätt kan kollapsa.

2.3 Införing, anterograd bytesmetod

(Fig. 7-10)

FÖRSIKTIGHET: Provox Vega XtraSeal med större esofagealfläns måste sättas in med användning av överskjutningsmetoden för att säkerställa att både den extra, större esofagealflänsen och den normala flänsen placeras korrekt inne i esofagus (matstrupen). Överskjutning innebär att hela röstventilen placeras i esofagus (matstrupen) och därefter dras tillbaka i avsett läge.

1. Ta bort vikverktyget (valfritt)

När röstventilen har tryckts in i laddningsröret tar du bort vikverktyget genom att låsa upp och koppla loss det från laddningsröret (fig. 7).

2. Införing i TE-fisteln

Håll Provox Insertion System i laddningsröret. För in laddningsrörets ände i fisteln. Var försiktig om du möter motstånd. Om du möter motstånd kan utvidgning och/eller smörjning underlätta införingen.

3. För in röstventilen

Håll laddningsröret stabilt med ena handen och tryck in införingsstiftet med den andra handen tills det befinner sig bortom den proximala greppytan (fig. 8). Nu är röstventilen korrekt placerad i esofagus (matstrupen) (fig. 9).

Om införing med överskjutning görs med vikverktyget monterat trycker du in införingsstiftet förbi den distala greppytan (fig. 10). Nu är röstventilen korrekt placerad i esofagus (matstrupen) (fig. 9).

4. Lösgör röstventilen

Dra laddningsröret rakt ut ur fisteln. Röstventilen sitter kvar i esofagus (matstrupen) och sitter fast på införingsstiftet. Grip tag i trakealflänsen med en slät peang och dra/vrid röstventilen på plats.

5. Avsluta ingreppet

Avsluta ingreppet efter införing så som beskrivs i avsnitt 2.5 nedan.

2.4 Sammansättning och omladdning av Provox Insertion System

Om det första försöket att föra in Provox Vega XtraSeal i TE-fisteln inte lyckas går det att ladda om röstventilen i Provox Insertion System.

Placera röstventilen i rätt läge

1. Montera röstventilen med trakealsidan vänd nedåt längst upp på införingsstiftet.
2. Fäst säkerhetssträngen genom att föra den igenom fästhållet från vardera sidan.
3. Se till att röstventilen sitter rätt på införingsstiftet, att den är ordentligt fastsatt och att stiftets ände befinner sig hela vägen in i röstventilens blå ring (fig. 3). Sätt fast vikverktyget.
4. För införingsstiftet genom öppningen i vikverktyget tills det klickar på plats. Dra i stiftet tills det snäpper på plats i vikverktyget. (Bild 11). Provox Insertion System är nu klart att förberedas. Fortsätt förberedningen av systemet så som beskrivs i avsnitt 2.2 ovan.

FÖRSIKTIGHET: Ladda inte om mer än två gånger. Om röstventilen Provox Vega uppvisar några tecken på skada ska den inte användas.

2.5 Avsluta ingreppet

Efter införing:

Säkerställ att röstventilen sitter rätt

1. Säkerställ att röstventilen sitter rätt genom att vrida och dra i införingsstiftet försiktigt (fig. 12). Röstventilen sitter i optimalt läge när säkerhetssträngen pekar nedåt.

FÖRSIKTIGHET: Kontrollera att båda esofagealflänsarna är helt utfällda i esofagus (matstrupen). Ingen del av den större esofagealflänsen ska vara synlig utmed röstventilens skaft, och när den vrids ska röstventilen röra sig fritt. Det kan vara lättare att fälla ut den större flänsen helt om du vrider runt röstventilen samtidigt som du trycker den mot esofagus (matstrupen). Använd ett flexibelt endoskop för att kontrollera att enheten sitter rätt i esofagus (matstrupen) om du är osäker.

Testa funktionen

2. Borsta Provox Vega med Provox Brush (rengöringsborste). Testa att röstventilen fungerar som den ska genom att be patienten tala, och kontrollera att den inte läcker när patienten dricker vatten (fig. 13.2).

Skär av säkerhetssträngen

3. Efter att du säkerställt att röstventilen sitter rätt skär du av säkerhetssträngen så att den är i nivå med trakealflänsen (fig. 14). Röstventilen är nu klar att använda.

2.6 Avfallshantering

Följ alltid medicinsk praxis och nationella föreskrifter rörande biologiska risker vid kassering av en använd medicinsk anordning.

3. Viktig patientinformation

3.1 Allmän information

Se till att patienten förstår att han/hon ska kontakta sin läkare om:

- Det uppstår läckage genom eller omkring röstventilen (hosta och/eller förändring av slemmets färg).
- Det blir svårare att tala (kräver större ansträngning och/eller rösten låter mer ansträngd).
- Det förekommer tecken på inflammation eller vävnadsförändringar i området runt fisteln eller stomat (smärta, rodnad, hetta, svullnad, blodspår på borsten efter borstning).

Informera också patienten om att:

- Efter byte av röstventil kan det förekomma lite blod i saliven. Det här kan komma från granuleringsvävnad runt TE-fistelns kanter.
- Provox Vega Plug kan användas för att temporärt stoppa läckage genom röstventilen.
- Röstträning med specialutbildad logoped rekommenderas för att uppnå optimal röst, flytande tal och tydlighet.

3.2 Underhåll av röstventilen

Förklara för patienten när och hur röstventilen Provox Vega XtraSeal ska rengöras. Rengöring av röstventilen minst två gånger per dag hjälper till att öka enhetens livslängd.

FÖRSIKTIGHET: Använd endast original Provox-tillbehör som är avsedda att användas med Provox Vega vid rengöring.

- Borsta röstventilen med Provox Brush (rengöringsborste) två gånger om dagen för att avlägsna slem och matrester från röstventilen.
- Spolning av röstventilen med Provox Flush hjälper också till att rengöra den från matrester och slem, vilket kan öka enhetens livslängd.

Observera! Provox Flush är endast avsett för användning av patienter som enligt bedömning av den läkare som ordinerat röstventilen, kan förstå och följa bruksanvisningen utan läkares hjälp.

- Vissa förändringar eller tillägg till dieten, som dagligt intag av yoghurt eller kärnmjök med laktobaciller, anses motverka alltför kraftig tillväxt av jästsvamp.

Detaljerad information om rengöring av Provox Vega finns i bruksanvisningen för varje tillbehör.

4. Ytterligare information

4.1 Kompatibilitet med MR, röntgen och strålbehandling

Provox Vega XtraSeal-röstventiler har testats och befunnits vara kompatibla med MR (testade upp till 3 Tesla), röntgen och strålbehandling (testade upp till 70 Gy). Röstventilen kan sitta kvar i TE-fisteln vid undersökning/behandling. Observera att den röntgentäta ventilen syns vid röntgen.

4.2. Produktens varaktighet

Produktens livslängd varierar på grund av individuella biologiska omständigheter och det går inte att förutse hur länge enheten håller över en längre tidsperiod. Produktens material påverkas av exempelvis bakterier och jästsvampar och produktstrukturen kommer så småningom att försämrans.

Laboratorietester med simulerad användning visar att vid brist av bakterier och jästsvampar förblir enheten intakt under 12 månader. Enheten har inte testats för användning längre än 12 månader. Användning utöver denna tidsgräns vilar helt på forskrivarens bedömning.

4.3 Kompatibilitet med antimykotika

Laboratorietester visar endast mindre negativ påverkan på Provox Vega-röstventilens funktion och komponenter vid användning av följande antimykotika: Nystatin, Flukonazol, Mikonazol.

4.4 Hjälpinformation för användaren

Behöver du ytterligare hjälp eller information finner du kontaktinformation på baksidan av den här bruksanvisningen.

5. Rapportering

Observera att varje allvarlig incident som har inträffat i förhållande till produkten ska rapporteras till tillverkaren och den nationella myndigheten i det land där användaren och/eller patienten är bosatt.

Provox Vega XtraSeal

1. Deskriptive oplysninger

1.1 Tilsigtet anvendelse

Provox Vega Voice Prosthesis er en steril stemmeprotese til engangsbrug beregnet til stemmerehabilitering efter kirurgisk fjernelse af strubehovedet (laryngektomi). Rengøring af stemmeprotesen foretages af patienten in situ.

Provox Insertion System er en steril anordning til engangsbrug, som er beregnet til anterograd udskiftning af Provox Vega stemmeprotese. Denne udskiftningsprocedure foretages af en læge eller en medicinsk uddannet i henhold til lokale eller nationale retningslinjer.

Provox Insertion System er ikke beregnet til indføring af stemmeprotese i en frisk anlagt punktur.

1.2 Beskrivelse af anordningen

Generelt

Provox Vega er en envejsventil (protese), der holder en TE-punktur åben med henblik på tale, samtidig med at risikoen for, at væske og fødevarer trænger ind i lufttrøret, reduceres. Provox Vega stemmeprotese er ikke et permanent implantat og skal udskiftes jævnlige. Protosen (Fig. 1) fås med forskellig diameter og længde.

Provox Vega XtraSeal har en ekstra forstørret esophagusflange, der er beregnet til at løse problemer med lækage rundt om stemmeprotesen. Enheden er fremstillet af medicinsk silikonegummi og fluorplast.

Provox Vega XtraSeal-pakke

Provox Vega XtraSeal-pakken indeholder følgende dele:

- 1 forudsamlet Provox Vega XtraSeal stemmeprotese med et indføringssystem til engangsbrug, sterilt (Fig. 2)
- 1 Provox Brush (børste), der passer i størrelsen til stemmeprotesen, ikke-steril
- 1 Provox Vega XtraSeal klinikermanual
- 1 Provox Vega patientmanual
- 1 brugervejledning til Provox Brush (børste)

1.3 KONTRAINDIKATIONER

Der er ingen kendte kontraindikationer for brug eller udskiftning af Provox Vega stemmeprotese blandt patienter, der allerede bruger protesestemmehabilitering.

1.4 ADVARSLER

- **Løsrivelse eller udstødelse af Provox Vega stemmeprotese** fra TE-punkturen med indtagelse, aspiration eller vævsbeskadigelse til følge kan forekomme. Et fremmedlegeme i luftvejene kan forårsage alvorlige komplikationer såsom akut åndedrætsbesvær og/eller respirationsophør.
- **Vælg den korrekte protesestørrelse.** En for stram tilpasning kan forårsage vævsnekrose og udstødning.
- **Bed patienten om straks at kontakte en læge**, hvis der er tegn på vævsødem og/eller inflammation/infektion.
- **Bed patienten om at kontakte en læge**, hvis der opstår lækage i eller omkring stemmeprotesen. Lækagen kan forårsage aspirationspneumoni.
- **Hvis der bruges laryngektomitubes eller stomaknapper**, så vælg en passende form, der ikke lægger pres på protesen eller kommer i karambolage med protesens trachealflange under indføring og fjernelse af laryngektomitube eller stomaknap. Dette kan medføre alvorlig vævsskade og/eller utilsigtet indtagelse af protesen.
- **Instruer patienten i kun at bruge originalt Provox-tilbehør** (Brush (børste), Flush (skylleanordning), Plug (prop)), der passer i størrelsen, til vedligeholdelse og i at undgå alle andre former for manipulation.
- **Genbrug og genbearbejdning** kan forårsage krydskontaminering og skade på anordningen, som igen kan forårsage patientskade.

1.5 FORHOLDSREGLER

- Undersøg omhyggeligt patienter, der lider af blødninger, eller som får antikoagulerende behandling, for blødningsrisiko, inden protesen anbringes eller udskiftes.
- Undersøg pakken før brug. Hvis pakken er beskadiget eller åbnet, må du ikke bruge produktet.
- Brug altid aseptisk teknik ved håndtering af protesen for at reducere infektionsrisikoen.

2. Brugsanvisning

2.1 Vælg stemmeprotens størrelse

Sørg for at bruge en Provox Vega XtraSeal stemmeprotese med korrekt skaftdiameter og -længde. Provox Vega XtraSeal fås i forskellig længde-/diameterkombinationer.

- **Valg af skaftdiameter**

Klinikeren skal bestemme den rette protesediameter til patienten.

Hvis den valgte diameter er større end den tidligere protese, skal hullet udvides ved hjælp af Provox Dilator, så det passer med diameteren af protesen, der skal indføres. Hvis der skal indføres en protese med en mindre skaftdiameter, så sørg for, at punkturen skrumper ind til den rette diameter.

- **Valg af skaftlængde**

For at vælge den korrekte længde kan du bruge den eksisterende protese som måleapparatet.

Hvis der er for meget (det vil sige 3 mm/-0,12 tomme eller mere) mellemrum mellem den gamle protesens trachealflange og slimhindevæggen, skal der anvendes en kortere protese.

Hvis protesen sidder for stramt, skal der anvendes en længere protese.

Bemærk: Provox Vega XtraSeals skaft er ca. 1 mm kortere end angivne størrelse pga. den forstørrede esophagusflange.

2.2 Klargøring

(Fig. 3-6)

Placering af stemmeprotesen

1. Sørg for, at stemmeprotesen er placeret korrekt på indføringsnålen, fastgjort, og med spidsen af nålen placeret helt inde i den blå ring på stemmeprotesen (Fig. 3).

Bøj esophagusflangen

2. Sørg for, at indføringsnålen er placeret korrekt i bøjeværktøjet (nålen skal klikke på plads i bøjeværktøjet).
3. Klem bøjeværktøjet sammen med to fingre (Fig. 4).
4. Fastgør indsætningsrøret, samtidig med at du sørger for, at bøjeværktøjet er lukket, og drej indsætningsrøret, indtil det låses på plads (fig. 5).

Indfør

5. Skub indføringsnålen fremad, indtil stemmeprotesen er tilrettet den synlige ring på indsætningsrøret (Fig. 6).

Fjern den gamle stemmeprotese

6. Fjern den nuværende (gamle) protese fra TE-punkturen ved at trække den ud med en hæmostat uden tænder. Alternativt kan protesens trachealflange, ved klinikerens skøn, gribes med en pincet og skæres over. Resten af protesen skubbes derefter ind i esophagus, så der kommer gennemløb igennem tarmkanalen. Patientens historik over eventuelle tarmsygdomme skal tages i betragtning, inden du bruger denne metode.

Klargør punkturen (valgfrít)

7. Punkturstedet kan udvides ved klargørelse til indføring af stemmeprotesen. Dette er normalt ikke nødvendigt, men kan lette indførelsen hos patienter med vinklede eller stramme punkture, der let bryder sammen.

2.3 Indsættelse, anterograd udskiftningsprocedure

(Fig. 7-10)

FORSIGTIG: Provox Vega XtraSeal med forstørret esophagusflange skal placeres ved hjælp af overindføringsteknik for at sikre, at både esophagusflangen og den forstørrede esophagusflange folder sig ud inde i esophaguslumen. Overindføring betyder, at hele protesen indføres i esophagus, hvorefter den trækkes tilbage til den tiltænkte position.

1. **Fjern bøjeværktøjet (valgfrít)**

Fjern bøjeværktøjet, når protesen er skubbet ind i indsætningsrøret, ved at frigøre og frakoble det fra indsætningsrøret (Fig. 7).

2. **Gå ind igennem TE-punkturen**

Hånder Provox Insertion System ved at holde på indsætningsrøret. Før indsætningsrørets spids ind igennem punkturen. Vær forsigtig, hvis du møder modstand. Hvis du møder modstand, kan det hjælpe at udvide og/eller smøre punkturen.

3. **Isæt stemmeprotesen**

Hold indsætningsrøret stabilt med den ene hånd, og skub på indføringsnålen med den anden, indtil den befinder sig bag den proksimale gribeoverflade (Fig. 8). Nu er stemmeprotesen helt udfoldet i esophagus (Fig. 9).

Hvis der foretages overindføring med bøjeværktøjet vedhæftet, så skub indføringsnålen ind bag den distale gribeoverflade (Fig.10). Nu er stemmeprotesen helt udfoldet i esophagus (Fig. 9).

4. **Udløs stemmeprotesen**

Træk indsætningsrøret direkte ud af punkturen. Protesen forbliver i esophagus, stadig solidt fastgjort til indføringsnålen. Tag fat i trachealflangen med en hæmostat uden tænder, og træk/drej stemmeprotesen på plads.

5. **Afslut proceduren**

Afslut proceduren i henhold til proceduren beskrevet i afsnit 2.5 efter indføring.

2.4 Montering og genindsætning af Provox Insertion System

Hvis det første forsøg på at indføre Provox Vega XtraSeal i TE-punktur ikke lykkedes, kan stemmeprotesen genindsættes i Provox Insertion System.

Placering af stemmeprotesen

1. Monter stemmeprotesen oven på indføringsnålen med trachealsiden nedad.

2. Fastgør sikkerhedsstroppen ved at lede den igennem fastgørelsesåbningen fra begge sider.
3. Sørg for, at stemmeprotesen er placeret korrekt på indføringsnålen, fastgjort, og med spidsen af nålen placeret helt inde i den blå ring på stemmeprotesen (Fig. 3). Monter bøjeværktøjet.
4. Før indføringsnålen igennem åbningen i bøjeværktøjet, indtil den klikker på plads. Træk i nålen, indtil den klikker på plads i bøjeværktøjet. (Fig. 11). Provox Insertion System er nu klar til forberedelse. Fortsæt forberedelsen som beskrevet ovenfor i afsnit 2.2.

FORSIGTIG: Indfør ikke mere end to gange. Hvis Provox Vega stemmeprotese viser tegn på skade, må du ikke anvende stemmeprotesen.

2.5 Afslut proceduren

Efter indføring:

Sørg for, at den sidder korrekt

1. Sørg for at stemmeprotesen sidder korrekt placeret ved at dreje og hive forsigtigt i indføringsnålen (Fig. 12). Protosen sidder korrekt, når sikkerhedsstroppen peger nedad.

FORSIGTIG: Kontroller, at begge esophagusflanger har foldet sig helt ud i esophaguslumen. Intet af den forstørrede esophagusflange må være synligt langs stemmeprotensens skaft, og når den drejes, skal stemmeprotesen kunne bevæge sig frit. Drej stemmeprotesen, imens du skubber den let mod esophagus, for at udfolde den forstørrede flange fuldstændigt. Brug fleksibel endoskopi til at bekræfte korrekt placering inde i esophagus, hvis du er i tvivl.

Test, at den fungerer korrekt

2. Børst Provox Vega med Provox Brush (børste). Kontroller, at protosen fungerer, som den skal, ved at bede patienten om at tale og ved at tjekke, om protosen lækker, når patienten drikker vand (Fig. 13.2).

Skær sikkerhedsstroppen af

3. Skær sikkerhedsstroppen af, så den flugter med trachealflangen, når du har sikret, at stemmeprotesen er placeret korrekt (Fig. 14). Stemmeprotesen er nu klar til brug.

2.6 Bortskaffelse

Bortskaffelse af en brugt medicinsk anordning skal altid foretages i henhold til medicinsk praksis og nationale krav vedrørende biologisk risiko.

3. Vigtige patientoplysninger

3.1 Generelle informationer

Sørg for, at patienten forstår, at han/hun skal kontakte sin kliniker, hvis:

- Der er en lækage igennem eller omkring protosen (hoste og/eller ændring af slimfarve).
- Det bliver sværere at tale (større anstrengelser og/eller stemmen lyder mere anspændt).
- Der er tegn på inflammation eller vævsændringer ved punkturstedet eller stomaområdet (smerte, rødme, varme, hævelse, spor af blod på børsten efter børstning).

Informér også patienten om, at:

- Efter en proteseudskiftning kan der forekomme spor af blod i spytet. Dette kan komme fra granulationsvæv på kanterne af TE-punkturen.
- Provox Vega Plug (prop) kan bruges til midlertidigt at stoppe lækage i stemmeprotesen.
- Taletræningssessioner med en uddannet kliniker anbefales for at opnå en optimal stemmelyd, flydende tale og optimal forståelighed.

3.2 Vedligeholdelse af protosen

Vejled patienten i, hvornår og hvordan han/hun skal rengøre sin Provox Vega XtraSeal stemmeprotese. Rengøring af protosen mindst hver anden dag kan forlænge anordningens levetid.

FORSIGTIG: Brug kun originalt Provox tilbehør, der er beregnet til brug sammen med Provox Vega, til rengøring af stemmeprotesen.

- Børst protosen med Provox Brush (børste) to gange om dagen for at fjerne slim og madrester fra protosen.
- Brug Provox Flush (skylleanordning) til at skylle protosen, dette hjælper med at rense protosen for snavs og slim, hvilket kan øge anordningens levetid.
Bemærk: Provox Flush (skylleanordning) er kun beregnet til brug af patienter, som, efter klinikerens skøn, har vist at forstå og konsekvent følge brugsanvisningen uden klinikerens opsyn.
- Kostforanstaltninger som daglig indtagelse af yoghurt eller kærnemælk med mælkesyre bakterier anses for at være effektiv mod overdreven candidavækst.

For detaljeret information om, hvordan du rengør Provox Vega se vejledningen til hvert enkelt tilbehør.

4. Yderligere oplysninger

4.1 Kompatibilitet med MR, røntgen og strålebehandling

Provox Vega XtraSeal-stemmeprotoser er testede og fundet kompatible med MR

(magnetisk resonans-scanning) (testet op til 3 Tesla), røntgen og strålebehandling (testet op til 70 Gy). Protesen kan blive i TE-punkturen under undersøgelses-/behandlingssessionen. Bemærk, at det stråleuigennemtrængelige ventilslæde er synligt på røntgen.

4.2 Anordningens levetid

Anordningens levetid varierer afhængig af individuelle, biologiske faktorer, og det er ikke muligt at forudsige anordningens integritet over længere tid. Anordningens materiale vil blive påvirket af eksempelvis bakterier og gærsvamp, og anordningens strukturelle integritet vil med tiden forringes.

Laboratorieundersøgelser ved simuleret brug over en testperiode på 12 måneder viser, at ved fravær af bakterier og gærsvampe vil anordningen opretholde sin strukturelle integritet i samme periode. Anordningen er ikke testet i brug ud over 12 måneder. Brug ud over denne grænse er efter den ordinerende læges eget skøn.

4.3 Kompatibilitet med lægemidler til behandling af svampeinfektioner

Laboratorieundersøgelser viser kun en lille negativ påvirkning af Provox Vega stemmeprotensens funktion ved anvendelse af følgende lægemidler til behandling af svampeinfektioner: Nystatin, Fluconazole, Mikonazol.

4.4 Hjælpeoplysninger til brugeren

Se kontaktoplysningerne på bagsiden af denne brugsanvisning for yderligere hjælp eller information.

5. Rapportering

Bemærk, at enhver alvorlig hændelse, der er opstået i relation til enheden, skal indberettes til fabrikanten og den nationale myndighed i det land, hvor brugeren og/eller patienten opholder sig.

NORSK

Provox Vega XtraSeal

1. Beskrivelse

1.1 Tiltent bruk

Provox Vega-taleprotesen er en steril, intravenøs taleprotese for engangsbruk som er beregnet på talerehabilitering etter kirurgisk fjerning av larynx (laryngektomi). Taleprotesen rengjøres av pasienten mens den sitter på plass.

Provox Insertion System er en steril anordning for engangsbruk som er beregnet på anterograd utskifting av Provox Vega-taleprotesen. Utskiftingsprosedyren utføres av lege eller opplært helsearbeider i tråd med lokale eller nasjonale retningslinjer.

Provox Insertion System skal ikke brukes til innsetting av en taleprotese i en ny punksjon.

1.2 Beskrivelse av anordningen

Generelt

Provox Vega-taleprotesen er en enveisventil (protese) som holder en TE-punksjon åpen for tale, samtidig som risikoen for å få væske og mat inn i trakea, reduseres. Provox Vega-taleprotesen er ikke et permanent implantat og må skiftes ut regelmessig. Protesen (fig. 1) er tilgjengelig i forskjellige diametere og flere lengder.

Provox Vega XtraSeal har en ekstra forstørret øsofagealflens som er beregnet på å løse problemer med lekkasje rundt taleprotesen.

Anordningen er laget av medisinsk silikongummi og fluorplast.

Pakken med Provox Vega XtraSeal

Pakken med Provox Vega XtraSeal inneholder følgende artikler:

- 1 Provox Vega XtraSeal taleprotese, forhåndsmontert i et Insertion System for engangsbruk, steril (fig. 2)
- 1 Provox Brush (børste) i en størrelse som passer til taleprotesen, usteril
- 1 legehåndbok for Provox Vega XtraSeal
- 1 pasienthåndbok for Provox Vega
- 1 brugsanvisning for Provox-børste

1.3 KONTRAINDIKASJONER

Det er ingen kjente kontraindikasjoner for bruk eller utskifting av Provox Vega-taleprotesen hos pasienter som allerede anvender en talerehabiliteringsprotese.

1.4 ADVARSLER

- Hvis Provox Vega-taleprotesen løsner eller utstøtes fra TE-punksjonen og den svelges, kan det oppstå aspirasjon eller vevsskade. Et fremmedlegeme i luftveien kan forårsake alvorlige komplikasjoner, som akutte pustevasker og/eller pustestopp.
- **Velg riktig protesestørrelse.** En stram tilpasning kan forårsake vevsnekrose og utstøtning.

- **Be pasienten kontakte lege** umiddelbart hvis det foreligger tegn til vevsødem og/eller betennelse/infeksjon.
- **Instruer pasienten om å rådføre seg med lege** hvis det oppstår lekkasje gjennom eller rundt taleprotesen. Lekkasje kan forårsake aspirasjonslungebetennelse.
- **Hvis det brukes laryngektomirør eller stomiknapper**, må du velge en egnet form som ikke legger trykk på protesen eller henger seg fast i protesens trakealfless ved innsetting og fjerning av laryngektomirøret eller stomiknappen. Dette kan føre til alvorlig vevsskade og/eller utilsiktet svelging av protesen.
- **Instruer pasienten om at det bare må brukes originalt Provox-tilbehør** i tilhørende størrelse (børste, Flush, Plug) til vedlikehold samt å unngå alle typer endringer.
- **Gjenbruk og bearbeiding for gjenbruk** kan forårsake krysskontaminasjon og skade på anordningen, noe som kan skade pasienten.

1.5 FORHOLDSREGLER

- Vær ekstra bevisst på pasienter med blødningslidelser eller pasienter som får antikoagulasjonsbehandling, med hensyn til fare for blødning eller hemoragi, for plassering eller utskifting av protesen.
- Kontroller emballasjen før bruk. Hvis emballasjen er skadet eller åpnet, må du ikke bruke produktet.
- Bruk alltid aseptisk teknikk når du håndterer protesen slik at faren for infeksjon reduseres.

2. Bruksanvisning

2.1 Velge størrelse på taleprotesen

Forsikre deg om at du bruker en Provox Vega XtraSeal-taleprotese med skaft i riktig diameter og lengde. Provox Vega XtraSeal er tilgjengelig i flere lengde- og diameterkombinasjoner.

- **Velge skaftdiameter**

Legen skal fastslå riktig diameter på protesen for den aktuelle pasienten.

Hvis den valgte diameteren er større enn diameteren for den tidligere protesen, må kanalen utvides ved hjelp av Provox Dilator iht. diameteren på protesen som skal settes inn.

Hvis du setter inn en protese med et skaft med mindre diameter, må du observere og sikre at punksjonen krymper til riktig diameter.

- **Velge skaftlengde**

Du kan bruke den eksisterende protesen som måleanordning når du skal velge riktig lengde.

Hvis det er for mye (dvs. 3 mm eller mer) mellomrom mellom den gamle protesens trakealfless og slimhinneveggen, skal du bruke en kortere protese.

Hvis protesen sitter for stramt, skal du bruke en lengre protese.

Merk: Skaftet på Provox Vega XtraSeal er ca. 1 mm kortere enn den angitte størrelsen på grunn av den forstørrede øsofagealflessen.

2.2 Klargjøring

(fig. 3–6)

Plassere taleprotesen

1. Forsikre deg om at taleprotesen er plassert riktig og sitter godt fast på innsetningsanordningen med spissen på anordningen helt inne i den blå ringen på taleprotesen (fig. 3).

Følge øsofagealflessen

2. Kontroller at innsetningsanordningen er riktig plassert i forhold til foldeverktøyet (anordningen skal klikke inn i foldeverktøyet).
3. Klem foldeverktøyet sammen med to fingre (fig. 4).
4. Fest innsetningsrøret mens du holder foldeverktøyet lukket og vrir foldeverktøyet til det låser seg på plass (fig. 5).

Sette inn

5. Skyv innsetningsanordningen fremover til taleprotesen er innrettet med den synlige ringen på innsetningsrøret (fig. 6).

Fjerne den gamle taleprotesen

6. Fjern den eksisterende (gamle) protesen fra TE-punksjonen ved å trekke den ut ved hjelp av en hemostat uten tenner. Legen kan eventuelt velge å ta tak i protesens trakealfless med en pinsett og klippe den av. Deretter skyves resten av protesen inn i øsofagus for passering gjennom tarmkanalen. Det skal tas hensyn til pasientens historikk knyttet til tarmsykdommer før denne metoden benyttes.

Klargjøre punksjonen (valgfritt)

7. Punksjonen kan utvides slik at den klargjøres for innsetting av taleprotesen. Dette er vanligvis ikke nødvendig, men gjør innsettingen enklere hos pasienter med vinklede eller trange punksjoner som enkelt skrumper.

2.3 Innsetting, anterograd utskiftingsprosedyre

(fig. 7–10)

FORSIKTIG: Provox Vega XtraSeal med forstørret øsofagealfless må plasseres ved hjelp av overskytingsteknikken for å sikre at både den ekstra forstørrede øsofagealflessen og øsofagealflessen utplasseres inne i øsofageallumenet. Overskyting innebærer at hele protesen utplasseres i øsofagus og deretter trekkes tilbake til tiltenkt posisjon.

1. Fjerne foldeverktøyet (valgfritt)

Etter at protesen er skjøvet inn i innsettsrøret, fjerner du foldeverktøyet ved å låse det opp og koble det fra innsettsrøret (fig. 7).

2. Gå inn i TE-punksjonen

Hold Provox Insertion System i innsettsrøret. Gå inn i punksjonen med innsettsrørspissen. Gå varsomt frem hvis du støter på motstand. Hvis du møter motstand, kan du gjøre innsetningen enklere ved å utvide og/eller smøre systemet.

3. Sette inn taleprotesen

Hold innsettsrøret med én hånd, og skyv innsettsanordningen forbi den proksimale gripeflaten med den andre hånden (fig. 8). Nå er taleprotesen fullstendig utplassert i øsofagus (fig. 9).

Hvis overskytingsinnsetningen utføres mens foldeverktøyet er montert, skyver du innsettsanordningen forbi den distale gripeflaten (fig. 10). Nå er taleprotesen fullstendig utplassert i øsofagus (fig. 9).

4. Slippe taleprotesen

Trekk innsettsrøret rett ut av punksjonen. Protesen forblir i øsofagus – fortsatt godt festet til innsettsanordningen. Ta tak i trakealflensen med en hemostat uten tenner, og trekk/drei taleprotesen på plass.

5. Avslutte prosedyren

Etter innsetting fullfører du prosedyren som beskrevet nedenfor i avsnitt 2.5.

2.4 Montere og sette inn Provox Insertion System på nytt

Hvis det første forsøket på å sette inn Provox Vega XtraSeal i TE-punksjonen mislyktes, er det mulig å sette taleprotesen inn i Provox Insertion System på nytt.

Plassere taleprotesen

1. Monter taleprotesen oppå innsettsanordningen med den trakeale siden vendt ned.
2. Fest sikkerhetsstroppen ved å føre den gjennom festehullet fra hvilken som helst side.
3. Forsikre deg om at taleprotesen er plassert riktig og sitter godt fast på innsettsanordningen med spissen på anordningen helt inne i den blå ringen på taleprotesen (fig. 3). Koble til foldeverktøyet.
4. Før innsettsanordningen gjennom åpningen i foldeverktøyet til den klikker på plass. Trekk i anordningen til den klikker inn i foldeverktøyet. (fig. 11). Provox Insertion System er nå klart for klargjøring. Fortsett klargjøringen som beskrevet over i avsnitt 2.2.

FORSIKTIG: Må ikke settes inn på nytt mer enn to ganger. Hvis Provox Vega-taleprotesen viser tegn til skade, må du ikke bruke taleprotesen.

2.5 Avslutte prosedyren

Etter innsetting:

Kontrollere riktig tilpasning

1. Forsikre deg om at taleprotesen sitter riktig ved å dreie og trekke forsiktig i innsettsanordningen (fig. 12). Protesen er ideelt plassert når sikkerhetsstroppen peker nedover.

FORSIKTIG: Bekreft at begge øsofagealflenser er fullstendig utplassert i lumen i øsofagus. Ingen deler av den forstørrede øsofagealflensen skal være synlig langs taleprotesens skaft, og når den dreies, skal taleprotesen bevege seg fritt. Hvis du dreier taleprotesen mens du samtidig skyver den forsiktig mot øsofagus, kan det bidra til å folde den forstørrende øsofagealflensen helt ut. Er du usikker, bruker du et fleksibelt endoskop for å bekrefte riktig plassering inne i øsofagus.

Teste riktig funksjon

2. Børst Provox Vega med Provox-børsten. Test at protesen fungerer som den skal ved å be pasienten om å snakke, og ved å observere at protesen ikke lekker når pasienten drikker vann (fig. 13.2).

Klipp sikkerhetsstroppen

3. Når du har forsikret deg om at taleprotesen er plassert riktig, klipper du sikkerhetsstroppen slik at den er i flukt med trakealflensen (fig. 14). Taleprotesen er nå klar til bruk.

2.6 Avhending

Følg alltid medisinsk praksis og nasjonale krav angående biologiske farer når en brukt medisinsk anordning skal avhendes.

3. Viktig pasientinformasjon

3.1 Generell informasjon

Forsikre deg om at pasienten vet at de skal kontakte legen hvis:

- Det er lekkasje gjennom eller rundt protesen (hoste og/eller endring av farge på slimet).
- Det blir vanskelig å snakke (større anstrengelse og/eller talen høres mer anstrengt ut).
- Det er tegn til betennelse eller endringer i vevet ved punksjonsstedet eller stomiområdet (smerte, rødhet, varme, hevelse, spor av blod på børsten etter børsting).

Informér i tillegg pasienten om at:

- Det kan finnes spor av blod i spyttet etter en utskifting av protesen. Dette kan komme fra granuleringsvevet på kantene av TE-punksjonen.
- Provox Vega Plug kan brukes til å stanse lekkasje midlertidig gjennom taleprotesen.
- Taleopplæringstimer med en opplært lege anbefales slik at optimal talelyd, flytende tale og optimal forståelighet oppnås.

3.2 Vedlikehold av protesen

Instruer pasienten om når og hvordan Provox Vega XtraSeal-taleprotesen skal rengjøres. Hvis protesen rengjøres to ganger om dagen, kan det bidra til å forlenge anordningens levetid.

FORSIKTIG: Bruk bare originalt Provox-tilbehør som er beregnet på bruk med Provox Vega når protesen skal rengjøres.

- Hvis protesen børstes med Provox-børsten to ganger om dagen, vil det bidra til å fjerne slim og matrester fra protesen.
- Hvis protesen i tillegg skylles med Provox Flush, bidrar det til å fjerne smuss og slim fra protesen, som er med på å forlenge anordningens levetid.
Merk: Provox Flush er kun beregnet på pasienter som etter vurdering av legen som foreskrev anordningen, har vist evne til å forstå og følge bruksanvisningen konsekvent uten klinisk tilsyn.
- Noen kostholdstiltak, som daglig inntak av yoghurt eller kjernemelk som inneholder melkesyre bakterier, anses å være nyttige mot omfattende vekst av candida.

Du finner detaljert informasjon om rengjøring av en Provox Vega i bruksanvisningen for hvert tilbehør.

4. Tilleggsinformasjon

4.1. Kompatibilitet med MR-, røntgen- og strålebehandling

Provox Vega XtraSeal-taleproteser er testet og funnet å være kompatible med magnetisk resonanstomografi (testet med opptil 3 tesla), røntgen og strålebehandling (testet med opptil 70 Gy). Protesen kan bli stående inne i TE-punksjonen under undersøkelses-/behandlingsøkten. Vær oppmerksom på at det strålingsugjennomtrengelige ventilsetet er synlig på røntgen.

4.2 Anordningens levetid

Avhengig av individuelle biologiske forhold kan anordningens levetid variere, og det er ikke mulig å forutsi anordningens integritet over en lengre periode. Materialet i anordningen kan påvirkes av for eksempel bakterier eller gjærsopp, og anordningens strukturelle integritet forringes over tid.

Laboratorietester av simulert bruk i en testperiode på 12 måneder viser at anordningen beholder sin strukturelle integritet i denne perioden, hvis det ikke har vært forekomst av bakterier og gjærsopp. Denne anordningen er ikke testet for bruk i mer enn 12 måneder. Bruk i lengre tid enn dette er opp til forskriverens skjønn.

4.3 Kompatibilitet med antimykotika

Laboratorietester viser bare mindre negativ påvirkning på funksjonen til Provox Vega-taleprotesen og komponentene når følgende antimykotika brukes: Nystatin, Fluconazol, Mikonazol.

4.4 Informasjon til hjelp for brukeren

Du finner kontaktopplysninger for ytterligere hjelp eller informasjon bak på omslaget til denne bruksanvisningen.

5. Rapportering

Vær oppmerksom på at enhver alvorlig hendelse som har oppstått i forbindelse med enheten, skal rapporteres til produsenten og nasjonale myndigheter i landet der brukeren og/eller pasienten bor.

SUOMI

Provox Vega XtraSeal

1. Tuotetiedot

1.1 Käyttötarkoitus

Provox Vega -ääniproteesi on steriili, kertakäyttöinen kehonsisäinen ääniproteesi, joka on tarkoitettu puhe kuntoutukseen kurkunpään kirurgisen poiston jälkeen. Potilas puhdistaa ääniproteesin poistamatta sitä paikaltaan.

Provox Insertion System -sisäänviejäjärjestelmä on steriili, kertakäyttöinen tuote, joka on tarkoitettu Provox Vega -ääniproteesin anterogradiseen vaihtoon. Vaihtotoimenpiteen suorittaa lääkäri tai koulutettu lääkintäalan ammattilainen paikallisten tai kansallisten ohjeiden mukaisesti.

Provox Insertion System -sisäänviejäjärjestelmää ei ole tarkoitettu käytettäväksi ääniproteesin asentamiseen vastikään tehtyyn punktiokohtaan.

1.2 Laitteen kuvaus

Yleistä

Provox Vega on takaiskuventtiili (proteesi), joka pitää TE-avanteen auki puhetta varten ja vähentää samalla ruoan ja nesteiden henkitorveen pääsemisen riskiä. Provox Vega -ääniproteesi ei ole pysyvä implantaatti, vaan se täytyy vaihtaa ajoittain. Proteesista (kuva 1) on saatavana eri läpimittoja ja useita pituuksia.

Provox Vega XtraSeal on varustettu täydentävällä laajennetulla ruokatorviulokkeella. Se on tarkoitettu ratkaisemaan ääniproteesin ympärillä ilmenevään vuotoon liittyvät ongelmat.

Laitteen runko on valmistettu lääketieteellisen laadun silikonikumista ja fluoromuovista.

Provox Vega XtraSeal -pakkaus

Provox Vega XtraSeal -pakkaus sisältää seuraavat osat:

- 1 Provox Vega XtraSeal -ääniproteesi, jossa on valmiiksi koottu kertakäyttöinen Insertion System -sisäänviejäjärjestelmä, steriili (kuva 2)
- 1 Provox Brush -harja, ääniproteesin kokoa vastaava, steriloimaton
- 1 lääkärin Provox Vega XtraSeal -opas
- 1 potilaan Provox Vega -opas
- 1 Provox Brush -harjan käyttöohjeet

1.3 VASTA-AIHEET

Provox Vega -ääniproteesin käytölle tai vaihdolle ei tunneta mitään vasta-aiheita potilaille, jotka jo käyttävät proteesia puhe kuntoutukseen.

1.4 VAROITUKSET

- **Provox Vega -ääniproteesi voi irrota tai työntyä ulos** TE-avanteesta, jolloin se voi joutua vahingossa nielaistuksi tai hengitysteihin tai aiheuttaa kudonvaurioita. Vieras esine hengitysteissä voi aiheuttaa vakavia komplikaatioita, kuten akuutteja hengitysvaikeuksia ja/tai hengityksen pysähtymisen.
- **Valitse oikeankokoinen proteesi.** Liian suurikokoinen proteesi voi aiheuttaa kudon nekroosin ja proteesin poistytymisen.
- **Neuvo potilasta kysymään välittömästi neuvoa lääkäriltä,** jos potilaalla ilmenee minkäänlaisia merkkejä kudon turvotuksesta ja/tai tulehduksesta/infektiosta.
- **Neuvo potilasta kääntymään lääkärin puoleen,** jos ääniproteesin yhteydessä esiintyy vuotoa. Vuoto voi aiheuttaa aspiraatiokeuhkokuumeen.
- **Jos käytetään laryngektomiaputkia tai stoomanappeja,** valitse sellaiset välineet, jotka eivät paina proteesia tai tartu proteesin ulkosiivekkeeseen laryngektomiaputken tai stoomanapin asettamisen ja poistamisen aikana. Se voi johtaa vakavaan kudonvaurioon ja/tai proteesin nielemiseen vahingossa.
- **Neuvo potilasta käyttämään proteesin huoltoon vain sopivankokoisia alkuperäisiä Provox-lisävarusteita** (harja, huuhtelulaite, tulppa) ja välttämään kaikkea muunlaista ääniproteesin käsittelyä.
- **Uudelleenkäyttö ja uudelleen käsittely** saattaa aiheuttaa ristikontaminaation ja vaurioittaa laitetta, mistä voi koitua vahinkoa potilaalle.

1.5 VAROTOIMET

- Arvioi verenvuototauteja sairastavien potilaiden tai antikoagulanttihoitoa saavien potilaiden verenvuoto- tai hemorragiavaara huolellisesti ennen proteesin sijoittamista tai vaihtoa.
- Tarkasta pakkaus ennen käyttöä. Jos pakkaus on vaurioitunut tai avattu, älä käytä tuotetta.
- Käytä aina aseptista menetelmää infektiotaaran vähentämiseksi, kun käsittelet proteesia.

2. Käyttöohjeet

2.1 Ääniproteesin koon valitseminen

Varmistu, että valitset Provox Vega XtraSeal -ääniproteesin, jonka varren läpimittoja ja pituus ovat oikean kokoisia. Provox Vega XtraSeal on saatavana eri varren läpimitoilla ja useilla eri pituuksilla.

• Varren läpimitan valinta

Lääkärin tulisi määrittää potilaskohtaisesti oikea proteesin läpimitto.

Jos valittu läpimitto on suurempi kuin aikaisempi proteesi, kanavaa on laajennettava Provox Dilator -laajentimella, joka soveltuu asennettavan proteesin läpimittoon.

Jos asennettavan proteesin varren läpimitto on pienempi, tarkkaile ja varmista, että punktiokohta kuroutuu oikeaan läpimittoon.

• Varren pituuden valinta

Valittaessa oikeaa pituutta voit käyttää nykyistä proteesia mittaustalteen.

Jos vanhan proteesin ulkosiivekkeen ja limakalvoseinämän väliin jää liikaa tilaa (3 mm / ~0,12 tuuma tai enemmän), tarvitaan lyhyempi proteesi.

Jos proteesi istuu liian tiukasti, tarvitaan pitempi proteesi.

Huomaa: Provox Vega XtraSeal -ääniproteesin varsi on noin 1 mm ilmaistua kokoa lyhyempi laajennetun ruokatorviulokkeen vuoksi.

2.2 Valmistelu

(Kuva 3-6)

Sovita ääniproteesi paikalleen

1. Varmista, että ääniproteesi on asetettu oikein asettimeen, että se on kiinnitetty tukevasti ja että asettimen kärki on asetettu kokonaan ääniproteesin siniseen renkaaseen (kuva 3).

Taita ruokatorviuloke

2. Tarkista, että asetin on asetettu oikein taittotyökalun kanssa (asetin on napsautettava taittotyökaluun).
3. Purista taittotyökalu yhteen kahdella sormella (kuva 4).
4. Liitä latausputki pitäen taittotyökalu suljettuna ja käännä latausputkea, kunnes se lukittuu paikalleen (kuva 5).

Lataus

5. Työnnä asetinta eteenpäin, kunnes ääniproteesi on linjassa latausputken näkyvän renkaan kanssa (kuva 6).

Poista vanha ääniproteesi

6. Poista nykyinen (vanha) proteesi TE-punktiokohdasta vetämällä se ulos hampaattomalla suonenpuristimella. Vaihtoehtoisesti lääkärin harkinnan mukaan proteesin ulkosiivekkeeseen voidaan tarttua pihdeillä ja katkaista se. Sitten jäljelle jäänyt proteesi työnnetään ruokatorveen, jossa se kulkeutuu suoliston läpi. Potilaan suolistosairaushistoria on otettava huomioon ennen tämän menetelmän käyttöä.

Valmistele punktio (valinnainen)

7. Punktiokohtaa voidaan laajentaa ääniproteesin asennusta varten. Se ei ole yleensä tarpeen, mutta voi helpottaa asennusta, jos potilaalla on kulmikas tai tiukka punktio, joka voi helposti puristua kasaan.

2.3 Asettaminen, anterogradinen vaihtaminen

(Kuva 7-10)

HUOM.: Provox Vega XtraSeal, jossa on laajennettu ruokatorviuloke, on asetettava yliasetustekniikalla (overshoot), jotta voidaan varmistaa, että sekä täydentävä laajennettu ruokatorviuloke että ruokatorviuloke avautuvat ruokatorven lumenissa. Yliasetuksella tarkoitetaan sitä, että koko proteesi avataan ruokatorvessa ja sitten vedetään takaisin oikeaan asentoonsa.

1. Poista taittotyökalu (valinnainen)

Kun proteesi on työnnetty latausputkeen, poista taittotyökalu avaamalla se ja irrottamalla se latausputkesta (kuva 7).

2. Siirry sisään TE-punktiokohtaan

Pidä kiinni Provox Insertion System -sisäänviejäjärjestelmän latausputkesta. Siirry sisään punktion latausputken kärjellä. Jatka varoen, jos kohtaat vastustusta. Jos vastustusta tuntuu, laajennus ja/tai voitelu voi helpottaa asetusta.

3. Asenna ääniproteesi

Pidä latausputkea vakaana toisella kädellä ja työnnä asetinta toisella kädellä proksimaalisen tarttumispinnan yli (kuva 8). Tässä vaiheessa ääniproteesi on täysin avautunut ruokatorvessa (kuva 9).

Jos yliasetus tehdään taittotyökalu asennettuna, työnnä asetinta distaalisen tarttumispinnan yli (kuva 10). Tässä vaiheessa ääniproteesi on täysin avautunut ruokatorvessa (kuva 9).

4. Irrota ääniproteesi

Vedä latausputki suoraan ulos punktiokohdasta. Proteesi jää ruokatorveen yhä lujasti kiinnitettynä asettimeen. Tartu ulkosiivekkeeseen hampaattomalla suonenpuristimella ja vedä/pyöritä ääniproteesi paikalleen.

5. Viimeistelet toimenpide

Viimeistelet toimenpide asetuksen jälkeen osiossa 2.5 kuvatulla tavalla.

2.4 Kokoaminen ja Provox Insertion System -sisäänviejäjärjestelmän lataaminen uudelleen

Ellei ensimmäinen Provox Vega XtraSeal -proteesin asetusyritys TE-punktiokohtaan onnistunut, ääniproteesi voidaan ladata uudelleen Provox Insertion System -sisäänviejäjärjestelmään.

Sovita ääniproteesi paikalleen

1. Asenna ääniproteesi asettimen päälle trakeaalipuoli alaspäin.
2. Liitä varmistusnauha viemällä se liitäntäuran läpi kummalta tahansa puolelta.
3. Varmista, että ääniproteesi on asetettu oikein asettimeen, että se on kiinnitetty tukevasti ja että sen kärki on asetettu kokonaan ääniproteesin siniseen renkaaseen (kuva 3). Kytke taittotyökalu.
4. Ohjaa asetinta taittotyökalun aukon läpi, kunnes se napsahtaa paikalleen. Vedä asetinta, kunnes se napsahtaa taittotyökaluun. (kuva 11). Provox Insertion System -sisäänviejäjärjestelmä on nyt valmis valmisteluun. Jatka valmistelua edellä osiossa 2.2 kuvatulla tavalla.

HUOMIO: Älä tee uudelleenlatausta useammin kuin kahdesti. Jos Provox Vega -ääniproteesissa näkyy vaurioitumisen merkkejä, älä käytä ääniproteesia.

2.5 Toimenpiteen viimeisteleminen

Asetuksen jälkeen:

Varmista oikea istuvuus

1. Varmista ääniproteesin oikea asettuminen kääntämällä asetinta ja vetämällä sitä kevyesti (kuva 12). Proteesi on oikeassa asennossa, kun varmistusnauha osoittaa alaspäin.

HUOM.: Vahvista, että molemmat ruokatorviulokkeet ovat avautuneet kokonaisuudessaan ruokatorven lumenissa. Mitään laajennettua ruokatorviulokkeita

osaa ei saa olla näkyvissä ääniproteesin varren lisäksi, ja pyöritettäessä ääniproteesin tulisi liikkua vapaasti. Ääniproteesin pyörittäminen ja samalla työntäminen ruokatorvea kohti voi auttaa avaamaan laajennetun ruokatorviulokkeen kokonaisuudessaan. Jos olet epävarma, vahvista oikea sijainti ruokatorvessa joustavalla endoskoopilla.

Testaa asianmukainen toiminta

2. Harjaa Provox Vega Provox Brush -harjalla. Testaa proteesin oikea toiminta pyytämällä potilasta puhumaan ja tarkkailemalla, ettei proteesista vuoda vettä potilaan juodessa vettä (kuva 13.2).

Leikkaa varmistusnauha

3. Kun olet varmistanut, että ääniproteesi on asetettu asianmukaisesti, leikkaa varmistusnauha samalle tasolle ulkosiivekkeen kanssa (kuva 14). Ääniproteesi on nyt käyttövalmis.

2.6 Hävittäminen

Noudata aina lääketieteellistä käytäntöä ja biovaarallisia aineita koskevia kansallisia vaatimuksia lääkinnällistä laitetta hävitettäessä.

3. Tärkeää potilastietoa

3.1 Yleistietoa

Varmista, että potilas osaa ottaa yhteyttä lääkäriin seuraavissa tilanteissa:

- proteesin ympäriltä tai sen läpi tulee vuotoa (yskimistä ja/tai muutoksia liman värissä)
- puhuminen käy vaikeaksi (vaatii enemmän ponnistelua ja/tai ääni kuulostaa kireämmältä)
- avanteen tai trakeastooman alueella näkyy merkkejä tulehduksesta tai kudosuutoksista (kipua, punoitusta, lämpöä, turpoamista, verijalkia harjassa puhdistuksen jälkeen).

Kerro myös potilaille seuraavat tiedot:

- Proteesin vaihtamisen jälkeen ysköksissä voi olla verta. Se voi tulla TE-avanteen reunojen granulaatiokudoksesta.
- Provox Vega Plug -tulppalla vuoto ääniproteesin läpi voidaan pysäyttää tilapäisesti.
- Puheterapeutin palveluja suositellaan parhaan mahdollisen puheäänen, sujuvan puheen ja parhaan ymmärrettävyyden varmistamiseksi.

3.2 Proteesin huolto

Kerro potilaalle, milloin ja miten Provox Vega XtraSeal -ääniproteesi on puhdistettava. Proteesin puhdistaminen vähintään kahdesti päivässä voi auttaa pidentämään laitteen käyttöikää.

HUOM.: Käytä proteesin puhdistuksessa vain alkuperäisiä Provox-lisävarusteita, jotka on tarkoitettu käytettäväksi Provox Vega -proteesin kanssa.

- Harjaa proteesi kahdesti päivässä Provox Brush -harjalla liman ja ruokajäämien poistamiseksi.
- Proteesin huuhtelu Provox Flush -huuhtelulaitteella auttaa puhdistamaan ruokajäämät ja limat proteesista, mikä voi lisätä laitteen käyttöikää.

Huom.: Provox Flush -huuhtelulaite on tarkoitettu vain sellaisten potilaiden käyttöön, jotka laitteen määrännyt lääkäri on arvioinut ja todennut, että he pystyvät ymmärtämään ja seuraamaan johdonmukaisesti käyttöohjeita ilman lääkärin valvontaa.

- Joidenkin ruokavalioon liittyvien toimenpiteiden, kuten päivittäisen maitohappobakteereja sisältävän jogurtin tai piimän nauttimisen, on todettu auttavan runsasta hiivasienten kasvua vastaan.

Lisätietoa Provox Vegan puhdistamisesta on jokaisen lisätarvikkeen käyttöohjeissa.

4. Lisätietoja

4.1 Yhteensopivuus magneettikuvauksen, röntgenkuvauksen ja sädehoidon kanssa

Provox Vega XtraSeal -ääniproteesit on testattu turvallisiksi käyttää magneettikuvauksessa (testattu 3 teslaan saakka), röntgenkuvauksessa ja sädehoidossa (testattu 70 Gy:n annokseen saakka). Proteesi voidaan jättää TE-punktiokohtaan tutkimuksen/hoidon ajaksi. Huomaa, että röntgenpositiivinen venttiilin istukka näkyy röntgenkuvantamisessa.

4.2 Laitteen käyttöikä

Laitteen käyttöikä vaihtelee yksilöllisistä biologisista olosuhteista riippuen eikä laitteen eheyttä voi ennakoida pidemmällä aikavälillä. Esimerkiksi bakteerit ja hiivat vaikuttavat laitteen materiaaliin ja ennen pitkää sen rakenteellinen eheys heikkenee.

Simuloidusta käytöstä 12 kuukauden ajan tehdyt laboratoriotestit osoittavat, että ilman hiivoja ja bakteereja laite säilyttää rakenteellisen eheydensä tämän ajan. Laitetta ei ole testattu yli 12 kuukauden käytössä. Tämän aikarajan ylittävä käyttö perustuu yksinomaan hoidon määrääjän harkintaan.

4.3 Yhteensopivuus sienilääkkeiden kanssa

Laboratoriotestien mukaan seuraavien sienilääkkeiden käytöllä on ainoastaan vähäinen kielteinen vaikutus Provox Vega -ääniproteesin ja sen osien toimintaan: nystatiini, flukonatsoli ja mikonatsoli.

4.4 Käyttäjätukeen liittyvät tiedot

Jos tarvitset lisäapua tai -tietoja, katso yhteystietoja näiden käyttöohjeiden takakannesta.

5. Ilmoittaminen

Huomaa, että kaikki laitetta koskevat, vakavat tapahtumat ilmoitetaan valmistajalle ja käyttäjän ja/tai potilaan asuinmaan kansalliselle viranomaiselle.

ČESKY

Provox Vega XtraSeal

1. Popis

1.1 Účel použití

Hlasová protéza Provox Vega je sterilní vnitřní hlasová protéza na jednorázové použití, určená pro rehabilitaci hlasu po chirurgickém odstranění hrtanu (laryngotomie). Čištění protézy provádí pacient, zatímco protéza zůstává uvnitř.

Zaváděcí systém Provox Insertion System je sterilní zařízení na jednorázové použití, určené pro anterográdní výměnu hlasové protézy Provox Vega. Zavedení provádí lékař nebo školený zdravotnický pracovník v souladu s místními nebo státními předpisy.

Zaváděcí systém Provox Insertion System není určen pro zavádění hlasové protézy do čerstvě vytvořených punkce.

1.2 Popis zařízení

Obecné

Provox Vega je sterilní jednocestný ventil (protéza), který udržuje TE punkci otevřenou pro řeč, a zároveň snižuje riziko vniknutí tekutin a potravy do trachey. Hlasová protéza Provox Vega není permanentní implantát a musí se pravidelně vyměňovat. Protéza (obr. 1) je dostupná v různých průměrech a několika délkách.

Hlasová protéza Provox Vega XtraSeal má přídatnou zvětšenou jícnovou manžetu, která je určena k řešení problémů s únikem tekutin okolo hlasové protézy.

Je vyrobena z lékařské silikonové pryže a fluoroplastu.

Balení Provox Vega XtraSeal

Balení Provox Vega XtraSeal obsahuje tyto položky:

- 1 předem smontovaná hlasová protéza Provox Vega XtraSeal v zaváděcím systému na jednorázové použití, sterilní (obr. 2)
- 1 kartáček Provox Brush velikostně odpovídající hlasové protéze, nesterilní
- 1 návod pro lékaře k zařízení Provox Vega XtraSeal
- 1 příručka pro pacienta k zařízení Provox Vega
- 1 návod k použití kartáčku Provox Brush

1.3 KONTRAINDIKACE

U pacientů, kteří již protetickou hlasovou rehabilitaci používají, nejsou známy žádné kontraindikace použití nebo výměny protézy Provox Vega.

1.4 VAROVÁNÍ

- Může dojít k **dislokaci nebo vytlačení hlasové protézy Provox Vega** z TE punkce a následnému spolknutí, vdechnutí nebo poškození tkáně. Cizí těleso v dýchacích cestách může vyvolat závažné komplikace, jako například akutní respirační tíseň a/nebo zástavu dechu.
- **Vyberte správnou velikost protézy.** Příliš těsná fixace může způsobit nekrózu tkáně a extruzi.
- **Poučte pacienta, aby se ihned poradil s lékařem** v případě jakýchkoli známek otoku a/nebo zánětu či infekce tkáně.
- **Poučte pacienta, aby se obrátil na lékaře,** dojde-li k úniku tekutiny z hlasové protézy nebo kolem ní. Únik může vést k aspirační pneumonii.
- **Pokud je používáte, vyberte laryngotomické trubičky nebo stomické knoflíky** vhodného tvaru, které během zavádění nebo odstraňování laryngotomické trubičky nebo stomického knoflíku nevyvíjejí tlak na protézu ani se nezachytávají o tracheální manžetu protézy. To může vést k závažnému poškození tkáně a/nebo náhodnému spolknutí protézy.
- **Informujte pacienta, aby k údržbě používal pouze originální příslušenství Provox** odpovídající velikosti (Brush, Flush, Plug) a aby s hlasovou protézou neprováděl žádnou jinou manipulaci.
- **Při opakovaném použití a opakovaném zpracování** může dojít ke zkřížené kontaminaci a k poškození zařízení, což může způsobit újmu pacientovi.

1.5 BEZPEČNOSTNÍ OPATŘENÍ

- Před zavedením nebo výměnou protézy pečlivě vyšetřete pacienty s krvácivými poruchami a pacienty, kteří užívají antikoagulanty, zda u nich nehrozí riziko krvácení nebo nadměrného krvácení.
- Před použitím balení zkontrolujte. Pokud je balení poškozené nebo otevřené, výrobek nepoužívejte.

- Při manipulaci s protézou vždy používejte aseptickou techniku, aby se snížilo riziko infekce.

2. Návod k použití

2.1 Volba velikosti hlasové protézy

Dbejte na to, abyste použili hlasovou protézu Provox Vega XtraSeal se správným průměrem a délkou vnějšího pláště. Hlasová protéza Provox Vega XtraSeal se dodává v různých kombinacích průměru/délky.

- **Výběr průměru vnějšího pláště**

Lékař musí určit správný průměr protézy, který je pro daného pacienta vhodný.

Pokud je zvolený průměr větší než předchozí protéza, dýchací trubice se musí rozšířit pomocí zařízení na dilataci Provox Dilator podle průměru protézy, která má být zavedena. Pokud je zaváděna protéza s menším průměrem, ujistěte se, že punkce se stáhla na příslušný průměr.

- **Výběr délky vnějšího pláště**

Výberte správnou velikost, jako měřítko můžete použít stávající protézu.

Pokud je mezi tracheální manžetou staré protézy a stěnou sliznice větší prostor (tj. 3 mm/~0,12 palce), je nutné použít kratší protézu.

Pokud je protéza příliš těsná, je nutné použít delší protézu.

Poznámka: Vnější plášť protézy Provox Vega XtraSeal je asi o 1 mm kratší než indikovaná velikost kvůli zvětšené jícnové manžetě.

2.2 Příprava

(Obr. 3–6)

Umístěte hlasovou protézu

1. Dbejte na to, aby hlasová protéza byla na hrotu zavaděče řádně umístěna, pevně připojena a aby celý hrot zavaděče byl zasunutý do modrého kroužku hlasové protézy (obr. 3).

Ohněte jícnovou manžetu

2. Ověřte si, že zavaděč je pomocí ohýbače správně umístěn (zavaděč uchopíme do ohýbače).
3. Ohýbač stiskněte dvěma prsty (obr. 4).
4. Zatímco ohýbač držíte zavřený, připojte zaváděcí tubu a otočte jí tak, až zacvakne na místo (obr. 5).

Naplňte

5. Tlačte na zavaděč směrem vpřed, až se hlasová protéza spojí s viditelnou částí zaváděcí tuby (obr. 6).

Vyjměte starou hlasovou protézu

6. Z TE punkce vyjměte stávající (starou) protézu tak, že ji vytlačíte ven neozubeným peánem. Tracheální manžetu lze případně uchopit kleštěmi a odstříhnout ji; rozhodnutí je na lékaři. Zbytek protézy se pak vytlačí do jícnu, odkud projde trávicím traktem. Před použitím tohoto způsobu musí být zohledněno jakékoli onemocnění trávicího traktu v anamnéze.

Připravte punkci (volitelné)

7. Při přípravě na zavedení hlasové protézy může být provedena dilatace punkce. Obvykle to není nutné, ale může to usnadnit zavádění u pacientů se zakřivenými nebo úzkými punkcemi, které snadno kolabují.

2.3 Zavedení, postup anterográdní výměny

(Obr. 7–10)

UPOZORNĚNÍ: Hlasová protéza Provox Vega XtraSeal se zvětšenou jícnovou manžetou musí být umístěna pomocí techniky přetažením, aby se zajistilo, že jak přídatná zvětšená jícnová manžeta tak jícnová manžeta zapadnou do lumen jícnu. Přetažení znamená, že celá protéza je usazena do jícnu a pak je stažena do požadované polohy.

1. **Vyjměte ohýbač (volitelné)**

Po zatlačení protézy do zaváděcí tuby vyjměte ohýbač tak, že jej cvaknutím odpojíte od zaváděcí tuby (obr. 7).

2. **Vstupte do TE punkce**

Zaváděcí systém Provox Insertion System držte za zaváděcí tubu. Hrot zaváděcí tuby zasuňte do punkce. Pokud narazíte na odpor, postupujte opatrně. Při odporu může zavádění usnadnit dilatace a/nebo lubrikace.

3. **Zaveďte hlasovou protézu**

Jednou rukou držte pevně zaváděcí tubu a druhou rukou tlačte zavaděč za povrch proximální části (obr. 8). V tomto bodě je hlasová protéza plně zasazena do jícnu (obr. 9).

Pokud je ohýbačem, který je stále smontovaný, prováděno zavedení přetažením, zavaděč tlačte za povrch distální části (obr. 10). V tomto bodě je hlasová protéza plně zasazena do jícnu (obr. 9).

4. **Uvolněte hlasovou protézu**

Zaváděcí tubu vytáhněte rovně z punkce. Protéza zůstává v jícnu a je stále pevně napojena na zavaděč. Tracheální manžetu uchopte neozubeným peánem a tahem/krouživým pohybem dejte hlasovou protézu na místo.

5. **Dokončete proceduru**

Po zavedení proceduru dokončete podle popisu v oddílu 2.5.

2.4 Montáž a opětovné naplnění zaváděcího systému Provox Insertion System

Pokud byl první pokus zavést hlasovou protézu Provox Vega XtraSeal do TE punkce neúspěšný, je možné ji znovu zasunout do zaváděcího systému Provox Insertion System.

Umístěte hlasovou protézu

1. Hlasovou protézu namontujte na konec zavaděče, a to tracheální stranou dolů.
2. Připevňte bezpečnostní pásku tak, že ji z každé strany provlečete připevňovacím otvorem.
3. Dbejte na to, aby hlasová protéza byla na hrotu zavaděče řádně umístěna, pevně připojena a aby celý hrot zavaděče byl zasunutý do modrého kroužku hlasové protézy (obr. 3). Připojte ohýbač.
4. Zavaděč ved'te ústím ohýbače, až zacvakne na místo. Zavaděč tahejte tak dlouho, až zapadne do ohýbače. (obr. 11). Zaváděcí systém Provox Insertion System je nyní připravený. Pokračujte v přípravě tak, jak je popsáno v oddílu 2.2.

UPOZORNĚNÍ: Zařízení neplňte více než dvakrát. Pokud jsou na hlasové protéze Provox Vega známky jakéhokoli poškození, nepoužívejte ji.

2.5 Dokončení procedury

Po zavedení:

Zajistěte řádné usazení

1. Zajistěte řádné umístění hlasové protézy rotací a jemným tahem zavaděče (obr. 12). Protéza má ideální pozici, když bezpečnostní páska směřuje dolů.

UPOZORNĚNÍ: Zkontrolujte, že obě jícnové manžety zapadly celé do lumenu jícnu. Žádná část zvětšené jícnové manžety nesmí být viditelná podél dutiny hlasové protézy a při krouživém pohybu se protéza musí volně pohybovat. Úplnému rozbalení zvětšené manžety může pomoci krouživý pohyb hlasovou protézou a zároveň mírný tah směrem k jícnu. V případě pochybností použijte k potvrzení správného umístění uvnitř jícnu flexibilní endoskop.

Otestujte správnou funkci

2. Hlasovou protézu Provox Vega očistěte kartáčkem Provox Brush. Otestujte správnou funkci protézy tím, že pacienta požádáte, aby mluvil, a také pozorujte, jestli z protézy neuniká voda, když pacient pije (obr. 13.2).

Odstříhnete bezpečnostní pásku

3. Poté, co si ověříte, že hlasová protéza je umístěna správně, odstříhnete bezpečnostní pásku tak, aby byla v jedné rovině s tracheální manžetou (obr. 14). Hlasová protéza je nyní připravena k použití.

2.6 Likvidace

Při likvidaci použitého zdravotnického prostředku vždy postupujte podle lékařské praxe a vnitrostátních požadavků týkajících se biologického nebezpečí.

3. Důležité informace pro pacienta

3.1 Obecné informace

Dbejte na to, aby pacient rozuměl tomu, že se má obrátit na lékaře, když:

- Dochází k prosakování přes protézu nebo kolem ní (kašel nebo změna barvy hlenu).
- Mluvení se stává obtížným (je nutno vyvíjet zvýšenou snahu nebo zvuk hlasu zní napjatěji).
- V místě punkce nebo oblasti stomatu jsou známky zánětu (bolest, zarudnutí, pocit tepla, otok, stopy krve na kartáčku po čištění).

Pacienta také informujte, že:

- Po výměně protézy se ve sputu mohou objevit stopy krve. Tato krev pravděpodobně pochází z granulační tkáně na okrajích TE punkce.
- K dočasnému zastavení úniku tekutin z hlasové protézy může být použita zátka Provox Vega Plug.
- Pro dosažení optimálního zvuku hlasu, plynulé řeči a optimální srozumitelnosti se doporučuje trénování řeči se školeným lékařem.

3.2 Údržba protézy

Pacienta poučte, jak a kdy si má čistit hlasovou protézu Provox Vega XtraSeal. Čištění protézy alespoň dvakrát denně může pomoci prodloužit její životnost.

UPOZORNĚNÍ: Při čištění protézy používejte pouze originální příslušenství Provox, které je určeno pro použití s výrobkem Provox Vega.

- Čištění protézy kartáčkem Provox Brush dvakrát denně pomáhá odstranit z protézy hlen a zbytky jídla.
- Pevné částičky a hlen pomáhá z protézy odstranit také propláchnutí přípravkem Provox Flush, což může pomoci prodloužit životnost zařízení.
Poznámka: Přípravek Provox Flush je určen pouze pro použití pacienty, kteří jsou podle lékaře, který zařízení předepsal, schopni pochopit a důsledně dodržovat návod k použití bez dohledu lékaře.
- Proti nadměrnému růstu kvasinek Candida je užitečné přijmout určitá dietní opatření, například denní příjem jogurtu nebo podmásli, které obsahují laktobacily.

Podrobné informace o tom, jak čistit hlasovou protézu Provox Vega, najdete v návodu k použití pro každé příslušenství.

4. Další informace

4.1 Kompatibilita s MRI, rentgenem a radioterapií

Hlasové protézy Provox Vega XtraSeal byly testovány na kompatibilitu s magnetickou rezonancí (testováno až do 3 Tesla), rentgenem a radioterapií (testováno až do 70 Gy) a bylo zjištěno, že jsou kompatibilní. Během vyšetření/terapie může být protéza ponechána na svém místě v TE punkci. Radioopákní podložka chlopně je na rentgenu viditelná.

4.2 Životnost zařízení

Životnost zařízení je různá v závislosti na individuálních biologických podmínkách a jeho integritu nelze z dlouhodobého hlediska předpovědět. Materiál zařízení budou ovlivňovat například bakterie a kvasinky, takže se jeho nenarušený stav může nakonec zhoršit.

Laboratorní testy simulovaného použití po dobu 12 měsíců ukazují, že při absenci bakterií a kvasinek si po tuto dobu zařízení uchovává strukturální integritu. Zařízení nebylo testováno po dobu delší než 12 měsíců. Používání po uplynutí tohoto limitu je na uvážení předepisující osoby.

4.3 Kompatibilita s antifungálními léčivými

Laboratorní testy prokázaly při používání následujících antifungálních léčiv jen nepatrný negativní vliv na funkci hlasové protézy Provox Vega a jejich komponent: Nystatin, Flukonazol, Mikonazol.

4.4 Informace pro pomoc uživatelům

Pro dodatečnou pomoc nebo informace použijte prosím kontaktní informace uvedené na zadním obalu tohoto návodu k použití.

5. Hlášení

Berte prosím na vědomí, že každá závažná příhoda, jež nastala v souvislosti se zařízením, musí být nahlášena výrobcí a vnitrostátnímu orgánu země, ve které má uživatel a/nebo pacient bydliště.

MAGYAR

Provox Vega XtraSeal

1. Általános információ

1.1. Rendeltetés

A Provox Vega hangprotézis steril, egyszer használatos, állandó hangprotézis, amely a hang helyreállítására szolgál a gége (larynx) műtéti eltávolítását (laryngectomia) követően. A hangprotézis tisztítását a beteg végzi el, miközben az eszköz a helyén marad.

A Provox Insertion System steril, egyszer használatos eszköz, amely a Provox Vega hangprotézis anterográd behelyezésére szolgál. Ezt a behelyezési eljárást orvos vagy szakképzett egészségügyi szakember végzi el a helyi vagy országos irányelveknek megfelelően.

A Provox Insertion System nem szolgál hangprotézis frissen készített punkcióba történő behelyezésére.

1.2. Az eszköz leírása

Általános

A Provox Vega egyirányú szelep (protézis), amely a TE-punkciót nyitva tartja beszéd céljából, miközben csökkenti annak kockázatát, hogy folyadék és étel jusson a tracheába. A Provox Vega hangprotézis nem állandó implantátum, időközönként cserélni kell. A protézis (1. ábra) különböző átmérekben és több hosszúságban kapható. A Provox Vega XtraSeal egy további, szélesített oesophagusperemmel rendelkezik, amelynek célja az, hogy megoldja a hangprotézis körüli szivárgásból adódó problémákat. Az eszköz orvosi minősítésű szilikonumból és fluoroplasztikából készült.

A Provox Vega XtraSeal csomag

A Provox Vega XtraSeal csomag a következő tételeket tartalmazza:

- 1 darab Provox Vega XtraSeal hangprotézis, egyszer használatos Insertion System behelyezőrendszerbe előre összeszerelve, steril (2. ábra)
- 1 darab Provox Brush kefe, a hangprotézisnek megfelelő méretben, nem steril
- 1 darab Provox Vega XtraSeal Kézikönyv orvosok részére
- 1 darab Provox Vega Kézikönyv betegek részére
- 1 darab Provox Brush Használati útmutató

1.3. ELLENJAVALLATOK

Nincsenek ismert ellenjavallatai a Provox Vega hangprotézis alkalmazásának vagy cseréjének olyan betegeknél, akiknél már használnak protézissel történő hangrehabilitációt.

1.4. BIZTONSÁGI FIGYELMEZTETÉSEK

- A Provox Vega hangprotézis elmozdulhat vagy kilökődhet a TE-punkcióból, amit lenyelés, aspiráció vagy szövetkárosodás követhet. A légutakban lévő idegen test súlyos szövődeményeket, például akut légzési elégtelenséget és/vagy légzésleállást okozhat.
- **Válassza a megfelelő méretű hangprotézist.** A szoros illeszkedés szövetelhalást és kilökődést okozhat.
- **Utasítsa a beteget, hogy haladéktalanul forduljon orvoshoz,** ha szöveti ödéma és/vagy gyulladás/fertőzés bármely jelét tapasztalja.
- **Utasítsa a beteget, hogy haladéktalanul forduljon orvoshoz,** ha szivárgás tapasztalható a hangprotézisen keresztül vagy a körül. A szivárgás aspirációs tüdőgyulladást okozhat.
- **Ha használ, válasszon megfelelő alakú laryngectomiás kanült vagy sztomagombot,** amely nem gyakorol nyomást a protézisre, és nem akad a laryngectomiás kanül vagy sztomagomb behelyezése vagy eltávolítása során a protézis tracheaperemébe. Ez súlyos szövetkárosodáshoz és/vagy a protézis véletlen lenyeléséhez vezethet.
- **Utasítsa a beteget, hogy karbantartáshoz csak eredeti, megfelelő méretű Provox tartozékokat használjon** (Brush kefe, Flush öblítő, Plug dugó), és kerüljön minden másfajta manipulációt.
- **Újrafelhasználása és újrafelhasználásra való előkészítése** keresztfertőzést okozhat és károsíthatja az eszközt, ami ártalmas lehet a beteg számára.

1.5. ÓVINTÉZKEDÉSEK

- A protézis behelyezése vagy cseréje előtti vérzés kockázata miatt gondosan értékeljen minden olyan beteget, aki vérzési rendellenességet mutat, vagy antikoaguláns kezelés alatt áll.
- Használat előtt vizsgálja meg a csomagot. Ha a csomag sérült vagy felnyitották, ne használja a terméket.
- A protézis kezelésekor mindig alkalmazzon aseptikus technikát a fertőzés kockázatának csökkentése érdekében.

2. Használati útmutató

2.1. A hangprotézis méretének kiválasztása

Ügyeljen arra, hogy a megfelelő szárátmérőjű és hosszúságú Provox Vega XtraSeal hangprotézist használja. A Provox Vega XtraSeal különböző hosszúság/átmérő kombinációkban kapható.

• A szárátmérő kiválasztása

Az orvosnak meg kell határoznia a beteg számára megfelelő protézis helyes átmérőjét. Ha a kiválasztott átmérő nagyobb a korábbi protézisnél, a nyomvonalat ki kell tágitani a behelyezendő protézis átmérőjének megfelelő Provox Dilator tágitó segítségével.

Ha kisebb szárátmérőjű protézist helyez be, figyelje meg és győződjön meg arról, hogy a punkció a megfelelő átmérőre szűkül.

• A szárhossz kiválasztása

A helyes hossz kiválasztásához használhatja a jelenlegi protézist mint saját mérőeszközt.

Ha túl nagy (vagyis 3 mm/~0,12 hüvelyk vagy nagyobb) rés van a régi protézis tracheapereme és a nyálkahártya fala között, rövidebb protézist kell használni.

Ha a protézis túl szorosan ül, hosszabb protézist kell használni.

Megjegyzés: A Provox Vega XtraSeal szára körülbelül 1 mm-rel rövidebb a jelzett méretnél a szélesített oesophagusperem miatt.

2.2. Előkészítés

(3-6. ábra)

A hangprotézis elhelyezése

1. Győződjön meg arról, hogy a hangprotézis megfelelően helyezkedik el a behelyezőtűskén, stabilan rögzül, és a tüske vége teljesen be van vezetve a hangprotézis kék gyűrűjébe (3. ábra).

Az oesophagusperem hajlítása

2. Győződjön meg arról, hogy a behelyezőtűske megfelelően van elhelyezve az összehajtó eszközben (a tüske be van pattintva az összehajtó eszközbe).
3. Két ujjával nyomja össze az összehajtó eszközt (4. ábra).
4. Csatlakoztassa a betöltőcsövet, miközben az összehajtó eszközt összenyomva tartja, és forgassa a betöltőcsövet, amíg a helyére nem rögzül (5. ábra).

Betöltés

5. Tolja előre a bevezetőtűskét, amíg a hangprotézis a betöltőcsövön látható gyűrűvel egy vonalba nem kerül (6. ábra).

A régi hangprotézis eltávolítása

6. Távolítsa el a jelenlegi (régi) protézist a TE-punkcióból nem fogazott vérzésgátló csipesszel kihúzával. Másik lehetőségként az orvos belátása szerint a protézis tracheapereme fogóval megfogható és levágható. Ezután a protézis többi részét le kell tolni a nyelőcsőbe, hogy a bélrendszeren keresztül távozzon. A beteg kórtörténetében szereplő bélbetegségeket figyelembe kell venni a módszer használata előtt.

A punkció előkészítése (opcionális)

7. A hangprotézis behelyezésének előkészítése érdekében a punkció kitágítható. Erre általában nincs szükség, de segítheti a behelyezést olyan betegeknél, akiknél a nyílás szögben elfordul vagy szűk, és könnyen beesik.

2.3. Behelyezés, anterográd csereeljárás

(7-10. ábra)

FIGYELEM: A szélesített oesophagusperemmel ellátott Provox Vega XtraSeal hangprotézist túllövés technikával kell elhelyezni annak biztosítása érdekében, hogy az újabb, szélesített oesophagusperem és az oesophagusperem egyaránt az oesophagus lumenén belül helyezkedjen el. A túllövés azt jelenti, hogy a teljes protézist az oesophagusban helyezik el, majd visszahúzzák a kívánt pozícióba.

- 1. Az összehajtó eszköz eltávolítása (opcionális)**
Miután megtörtént a protézis benyomása a betöltőcsőbe, az összehajtó eszköz eltávolításához szüntesse meg a rögzítést a betöltőcsőhöz, és válassza le (7. ábra).
- 2. Bejuttatás a TE-nyílásba**
Tartsa a Provox Insertion System rendszert a betöltőcsőnél fogva. Vezesse be a betöltőcső végét a nyílásba. Ha ellenállást érez, óvatosan folytassa. Ellenállás esetén a tágítás és/vagy síkosítás megkönnyítheti a behelyezést.
- 3. A hangprotézis behelyezése**
A betöltőcsövet egyik kezével stabilan tartva a másik kezével tolja be a behelyezőtűskét a proximális megfogási felületen túl (8. ábra). Ekkor a hangprotézis teljes mértékben el van helyezve a nyelőcsőben (9. ábra).
Ha túllövéses behelyezést végeznek felszerelve hagyott összehajtó eszközzel, tolja a behelyezőtűskét a disztális megfogási felületen túl (10. ábra). Ekkor a hangprotézis teljes mértékben el van helyezve a nyelőcsőben (9. ábra).
- 4. A hangprotézis elengedése**
Húzza ki egyenesen a betöltőcsövet a punkcióból. A protézis a nyelőcsőben marad, továbbra is erősen rögzítve a behelyezőtűskéhez. Fogja meg a tracheaperemet egy nem fogazott vérzésgátló csipesszel, és húzza, illetve forgassa a hangprotézist a helyére.
- 5. A művelet véglegesítése**
A behelyezés után véglegesítse az eljárást az alábbi 2.5. részben ismertetett módon.

2.4. A Provox Insertion System összeszerelése és újratöltése

Ha a Provox Vega XtraSeal hangprotézis TE-nyílásba való behelyezésének első kísérlete sikertelen volt, újra betöltheti a hangprotézist a Provox Insertion System rendszerbe.

A hangprotézis elhelyezése

- Rögzítse a hangprotézist a trachea felőli oldalával lefelé a behelyezőtűske tetejére.
- A biztonsági szíj csatlakoztatásához vezesse azt át bármelyik oldali szíjvezető nyíláson.
- Győződjön meg arról, hogy a hangprotézis megfelelően helyezkedik el a behelyezőtűskén, stabilan rögzül, és a tűske vége teljesen be van vezetve a hangprotézis kék gyűrűjébe (3. ábra). Az összehajtó eszköz csatlakoztatása.
- Vezesse a behelyezőtűskét az összehajtó eszköz nyílásán keresztül, amíg a helyére nem kattan. Húzza át a behelyezőtűskét, amíg az be nem pattan az összehajtó eszközbe. (11. ábra). A Provox Insertion System rendszer így készen áll az előkészítésre. folytassa az előkészítést a fenti 2.2. részben ismertetett módon.

FIGYELEM: Ne végezzen több mint kettő újratöltést. Ha a Provox Vega hangprotézis a sérülés bármilyen jelét mutatja, ne használja a hangprotézist.

2.5. A művelet véglegesítése

Behelyezés utáni teendők:

A megfelelő illeszkedés ellenőrzése

- Győződjön meg a hangprotézis megfelelő elhelyezkedéséről úgy, hogy forgatja és óvatosan meghúzza a behelyezőtűskét (12. ábra). A protézis ideális helyzetben van, ha a biztonsági szíj lefelé mutat.

FIGYELEM: Ellenőrizze, hogy mindkét oesophagusperem teljesen a nyelőcső lumenében helyezkedik-e el. A szélesített oesophagusperem egy része sem lehet látható a hangprotézis szára mentén, és forgatáskor a hangprotézisnek szabadon kell mozognia. Segít a szélesített perem teljes kinyitásban, ha a hangprotézis forgatásával egyidejűleg kissé a nyelőcső felé nyomja azt. Ha bizonytalan, flexibilis endoszkóp segítségével ellenőrizze a helyes elhelyezést a nyelőcsőben.

A megfelelő működés tesztelése

- Kefélje a Provox Vega protézist a Provox Brush kefével. Tesztelje a protézis megfelelő működését; ehhez kérje meg a beteget, hogy beszéljen, és figyelje meg, hogy a protézis nem szívárog-e, miközben a beteg vizet iszik (13.2. ábra).

A biztonsági szíj levágása

- Miután meggyőződött arról, hogy a protézis megfelelően van behelyezve, vágja le a biztonsági szíjat a tracheaperem szintjében (14. ábra). A hangprotézis így készen áll a használatra.

2.6 Hulladékba helyezés

Használt orvosi eszközök hulladékba helyezésénél mindig kövesse a biológiaiilag veszélyes hulladékok kezelésére vonatkozó orvosi gyakorlatot és nemzeti követelményeket.

3. A betegekre vonatkozó fontos információk

3.1. Általános információk

Ügyeljen arra, hogy a beteg megértse: a következő esetekben orvoshoz kell fordulnia:

- Szívágás észlelhető a protézisen keresztül vagy körülötte (köhögés; és/vagy a nyálka színének megváltozása).
- Nehézzé válik a beszéd (nagyobb erőfeszítés és/vagy a hang erőltetettebbnek tűnik).
- A punkció vagy a sztóma területén gyulladás vagy a szövet elváltozásának bármely jele tapasztalható (fájdalom, hő, duzzanat, vérnyomok a kefének annak használatá után).

Tájékoztassa a beteget a következőkről is:

- Protéziscsere után vérnyomok lehetnek a köpetben. Ez a TE-punkció szélén lévő granulációs szövetből eredhet.
- A Provox Vega Plug dugó segítségével a hangprotézisen keresztüli szívágás átmenetileg leállítható.
- Beszédtanulási oktatások javasoltak szakképzett orvossal az optimális beszédhang, a folyékony beszéd és az optimális érthetőség létrehozása érdekében.

3.2. A protézis karbantartása

Lássa el instrukcióival a beteget arra vonatkozóan, hogy mikor és hogyan tisztítsa a Provox Vega XtraSeal hangprotézist. A protézis napi legalább kétszeri tisztítása elősegítheti az eszköz élettartamának meghosszabbítását.

FIGYELEM: A protézis tisztításakor csak eredeti Provox tartozékokat használjon, amelyeket a Provox Vega protézissel való használatra terveztek.

- A protézis napi kétszeri kikéféltése a Provox Brush kefével elősegíti a nyálka és az ételmaradékok eltávolítását a protézisből.
- A protézis átöblítése a Provox Flush öblítővel szintén elősegítheti a törmelék és nyálka kitisztítását a protézisből, ami növeli az eszköz élettartamát.

Megjegyzés: A Provox Flush öblítő kizárólag olyan betegek által történő alkalmazásra szolgál, akik az eszközt felíró orvos megítélése szerint képesek arra, hogy megértsék és következetesen kövessék a használati útmutatót az orvos felügyelete nélkül.

- Egyes étkezési intézkedések, például joghurt vagy lactobacillusokat tartalmazó tejtermék napi fogyasztása segítséget jelent a túlzott Candida-növekedéssel szemben.

A Provox Vega tisztítására vonatkozó részletes információkat lásd az egyes tartozékok útmutatójában.

4. További információ

4.1. Kompatibilitás MR-képképzéssel, röntgennel és sugárterápiával

A Provox Vega XtraSeal hangprotéziseket megvizsgálták és kompatibilisnek találták a mágneses rezonanciás képképzéssel (3 tesla erősségig vizsgálták), röntgennel és sugárkezeléssel (70 Gy-ig vizsgálták). A protézis a TE-punkcióban hagyható a vizsgálat/terápiás munkamenet során. Felhívjuk figyelmét arra, hogy a sugárfogó szelepfészkek röntgenfelvételen látható.

4.2. Az eszköz élettartama

Az egyéni biológiai körülményektől függően az eszköz élettartama változó, és nem jósolható meg annak épsége hosszabb időn keresztül. Az eszköz anyagát károsítják például a baktériumok és az élesztőgombák, ami miatt az eszköz szerkezeti épsége romlani fog.

Szimulált használat laboratóriumi vizsgálata 12 hónapos tesztidőszakig azt mutatta, hogy baktériumok és élesztőgombák jelenléte nélkül az eszköz megőrzi szerkezeti épségét ennyi ideig. Az eszközt nem tesztelték 12 hónapnál hosszabb használatra. Az ezen időtartamon túli használat az eszköz felírójának kizárólagos belátásán múlik.

4.3. Kompatibilitás gombaellenes gyógyszerekkel

Laboratóriumi vizsgálatok a következő gombaellenes gyógyszerek alkalmazásakor a Provox Vega hangprotézis és alkatrészei működését érintő csupán kismértékű negatív hatást mutattak: nisztatin, flukonazol, mikonazol.

4.4. A felhasználók támogatásával kapcsolatos információ

Amennyiben további segítségre vagy információra van szüksége, használja a használati útmutató hátlapján található kapcsolattartási információt.

5. Jelentési kötelezettség

Felhívjuk a figyelmét, hogy az eszközt érintő bármilyen súlyos balesetet jelenteni kell a gyártónak és a felhasználó/beteg lakóhelye szerint illetékes ország hatóságának.

Provox Vega XtraSeal

1. Informacje opisowe

1.1 Przeznaczenie

Proteza głosowa Provox Vega jest jałową, wszczepialną protezą głosową jednorazowego użytku, przeznaczoną do rehabilitacji głosu po chirurgicznym usunięciu krtani (całkowitej laryngektomii). Czyszczenie protezy głosowej znajdującej się w przetoce tchawiczo-przełykowej przeprowadza pacjent.

Podajnik Provox Insertion System jest jałowym wyrobem jednorazowego użytku, przeznaczonym do wymiany protezy głosowej Provox Vega z dostępu przez tracheostomę. Zabieg wymiany przeprowadza lekarz lub przeszkolony pracownik służby zdrowia według obowiązujących wytycznych lokalnych lub krajowych.

Podajnik Provox Insertion System nie jest przeznaczony do zakładania protezy głosowej w świeżo wytworzonej przetoce.

1.2 Opis urządzenia

Informacje ogólne

Provox Vega jest jednokierunkową zastawką (protezą głosową) umieszczaną w przetoce tchawiczo-przełykowej, umożliwiającą wytwarzanie głosu przez kierowanie powietrza do przełyku i jednocześnie zmniejszającą ryzyko dostania się jedzenia i napojów do tchawicy. Proteza głosowa Provox Vega nie jest stałym implantem i wymaga okresowej wymiany. Proteza (rys. 1) jest dostępna w różnych średnicach i kilku długościach.

Proteza Provox Vega XtraSeal jest wyposażona w dodatkowy, powiększony kołnierz przełykowy, który ma na celu rozwiązanie problemów z przeciekaniem wokół protezy głosowej.

Wyrób jest wykonany z silikonu i polimeru fluorowego klasy medycznej.

Opakowanie Provox Vega XtraSeal

Opakowanie Provox Vega XtraSeal zawiera następujące elementy:

- 1 protezę głosową Provox Vega XtraSeal, fabrycznie umieszczoną w podajniku Insertion System, jednorazowego użytku, jałową (rys. 2)
- 1 szczoteczkę Provox Brush w rozmiarze odpowiednim dla danej protezy głosowej, niejadalną
- 1 instrukcję dla lekarzy Provox Vega XtraSeal
- 1 podręcznik dla pacjenta Provox Vega
- 1 instrukcję użytkownika szczoteczki Provox Brush

1.3 PRZECIWWSKAZANIA

Nieznane są przeciwwskazania do użycia lub wymiany protezy głosowej Provox Vega u pacjentów już używających protezy do rehabilitacji głosu.

1.4 OSTRZEŻENIA

- **Może dojść do przemieszczenia lub wypchnięcia protezy głosowej Provox Vega z przetoki tchawiczo-przełykowej, prowadzącego do połknięcia, aspiracji lub uszkodzenia tkanek.** Ciało obce w drogach oddechowych może spowodować poważne powikłania, takie jak ostra niewydolność oddechowa i/lub zatrzymanie oddychania.
- **Należy dobrać odpowiedni rozmiar protezy.** Ciasne dopasowanie może spowodować martwicę tkanek i wypchnięcie protezy.
- **Należy poinstruować pacjenta, żeby się natychmiast udał się do lekarza,** jeśli pojawiają się jakiegokolwiek oznaki obrzęku tkanek i/lub stanu zapalnego/zakażenia.
- **Należy poinstruować pacjenta, żeby natychmiast udał się do lekarza,** jeśli wystąpi przeciek przez protezę głosową lub wokół niej. Przeciek może doprowadzić do zachyłstowego zapalenia płuc.
- **W przypadku stosowania rurek tracheostomijnych lub krótkich rurek tracheostomijnych** należy wybrać ich odpowiedni kształt, który nie będzie powodować ucisku na protezę ani zaczepiać o kołnierz tchawiczy protezy podczas wkładania i wyjmowania rurki tracheostomijnej lub krótkiej rurki tracheostomijnej. Może to doprowadzić do ciężkiego uszkodzenia tkanek i/lub przypadkowego połknięcia protezy.
- **Należy poinstruować pacjenta, aby używał tylko oryginalnych akcesoriów Provox** (szczoteczki, gruszki, zatyczki) w odpowiednim rozmiarze oraz unikał wszelkich innych rodzajów manipulacji.
- **Ponowne użycie i przygotowanie do ponownego użycia** może spowodować przeniesienie zanieczyszczeń i uszkodzenie urządzenia, co może doprowadzić do urazu u pacjenta.

1.5 ŚRODKI OSTROŻNOŚCI

- Przed włożeniem lub wymianą protezy należy dokonać starannej oceny pacjentów ze skazą krwotoczną lub leczonych antykoagulantami pod kątem ryzyka krwawienia bądź krwotoku.
- Obejrzeć opakowanie przed użyciem. Nie używać produktu, jeśli opakowanie jest uszkodzone lub otwarte.
- Aby ograniczyć ryzyko zakażenia, należy zawsze przestrzegać zasad jałowości przy kontakcie z protezą.

2. Instrukcja użycia

2.1 Dobór rozmiaru protezy głosowej

Należy użyć protezy głosowej Provox Vega XtraSeal o właściwej średnicy i długości korpusu. Proteza Provox Vega XtraSeal jest dostępna w różnych kombinacjach długości/średnicy.

- **Dobór średnicy korpusu**

Lekarz powinien ustalić właściwą średnicę protezy odpowiednią dla danego pacjenta.

Jeśli wybrana średnica jest większa niż średnica poprzedniej protezy, należy rozszerzyć przetokę za pomocą rozszerzacza Provox Dilator o średnicy odpowiedniej do wkładanej protezy.

Jeśli zakładana jest proteza o mniejszej średnicy korpusu, należy dopilnować, aby przetoka uległa obkurczeniu do właściwej średnicy.

- **Dobór długości korpusu**

W celu dobrania odpowiedniej długości można użyć obecnie założonej protezy jako narzędzia pomiaru.

Jeśli odstęp pomiędzy kołnierzem tchawiczym obecnej protezy a ścianą śluzówki jest zbyt duży (np. 3 mm/~0,12 cala lub więcej), należy użyć krótszej protezy.

Jeśli proteza jest osadzona zbyt ciasno, należy użyć dłuższej protezy.

Uwaga: Korpus protezy Provox Vega XtraSeal jest ok. 1 mm krótszy od podanego rozmiaru, ze względu na obecność powiększonego kołnierza przelykowego.

2.2 Przygotowanie

(Rys. 3–6)

Umieszczenie protezy głosowej

1. Upewnić się, że proteza głosowa jest właściwie umieszczona i dobrze zamocowana na popychaczu, a końcówka popychacza znajduje się na wysokości niebieskiego pierścienia protezy głosowej (rys. 3).

Zwinięcie kołnierza przelykowego

2. Sprawdzić, czy popychacz jest właściwie umieszczony w uchwycie zwijającym kołnierze protezy w koszulce (popychacz powinien być zatrzasknięty w uchwycie).
3. Ścisnąć dwoma palcami uchwyt zwijający kołnierze protezy w koszulce (rys. 4).
4. Przymocować koszulkę, trzymając zamknięty uchwyt zwijający kołnierze protezy i obracając koszulkę, aż zostanie zablokowana w odpowiednim położeniu (rys. 5).

Zaladowanie protezy

5. Przesuwać popychacz, aż proteza głosowa znajdzie się na wysokości wyraźnego znacznika na koszulce (rys. 6).

Wyjęcie poprzedniej protezy głosowej

6. Wyjąć obecną (poprzednią) protezę z przetoki tchawiczo-przelykowej, wyciągając ją za pomocą gładkich (niezabkowanych) kleszczyków hemostatycznych. Lekarz może również podjąć decyzję o chwyceniu kołnierza tchawiczego protezy kleszczykami i odcięciu go. Reszta protezy zostanie wtedy wepchnięta do przelyku, po czym przejdzie przez układ pokarmowy. Przed zastosowaniem tej metody należy wziąć pod uwagę wszystkie schorzenia układu pokarmowego, na które pacjent cierpiał w przeszłości.

Przygotowanie przetoki (opcjonalne)

7. Można rozszerzyć przetokę, aby ją przygotować do założenia protezy głosowej. Zwykle nie jest to konieczne, lecz może ułatwić założenie protezy u pacjentów z ciasnymi przetokami lub umieszczonymi pod kątem, przez co przetoka może się zapaść.

2.3 Procedura włożenia i wymiany protezy przez tracheostomę

(Rys. 7–10)

UWAGA: Proteza Provox Vega XtraSeal z powiększonym kołnierzem przelykowym musi być umieszczana za pomocą techniki przepchnięcia przez przetokę, w celu zapewnienia, że zarówno powiększony kołnierze przelykowy, jak i kołnierze przelykowy zostaną rozłożone wewnątrz światła przelyku. Przepchnięcie przez przetokę oznacza, że cała proteza jest rozkładana w przelyku, a następnie wycofywana do żądanej pozycji.

1. **Usunięcie uchwytu zwijającego kołnierze protezy w koszulce (opcjonalne)**

Po umieszczeniu protezy w koszulce usunąć uchwyt zwijający kołnierze protezy w koszulce, odblokowując go i odłączając od koszulki (rys. 7).

2. **Wprowadzenie do przetoki tchawiczo-przelykowej**

Uchwycić podajnik Provox Insertion System za koszulkę. Wprowadzić końcówkę koszulki do przetoki. Zachować ostrożność w przypadku napotkania oporu. Jeżeli jest wyczuwany opór, wprowadzenie koszulki może ułatwić rozszerzenie przetoki i/lub użycie środka poślizgowego.

3. **Włożenie protezy głosowej**

Trzymając nieruchomo koszulkę jedną ręką, drugą ręką przesunąć popychacz poza proksymalny obszar chwytny (rys. 8). W tym momencie proteza głosowa jest całkowicie rozłożona w przelyku (rys. 9).

Jeżeli proteza jest wkładana z przepchnięciem przez przetokę z przymocowanym uchwytem zwijającym kołnierze protezy w koszulce, należy przesunąć popychacz poza dystalny obszar chwytny (rys. 10). W tym momencie proteza głosowa jest całkowicie rozłożona w przelyku (rys. 9).

4. Odłączenie protezy głosowej

Wyciągnąć koszulkę z przetoki pod kątem prostym. Proteza pozostaje w przełyku, nadal mocno przytwierdzona do popychacza. Chwyć kołnierz tchawiczy gładkimi (niezabkowanymi) kleszczykami i pociągnąć/obrócić protezę głosową, umieszczając ją we właściwym położeniu.

5. Zakończenie procedury

Po włożeniu protezy zakończyć procedurę zgodnie z poniższym opisem w punkcie 2.5.

2.4 Montaż i ponowne załadowanie podajnika Provox Insertion System

Jeśli nie powiodła się pierwsza próba wprowadzenia protezy Provox Vega XtraSeal do przetoki tchawiczo-przełykowej, można ponownie załadować protezę głosową do podajnika Provox Insertion System.

Umieszczenie protezy głosowej

1. Umieścić protezę głosową na górze popychacza kołnierzem tchawiczym do dołu.
2. Przymocować pasek zabezpieczający, przeprowadzając go przez otwór mocujący z dowolnej strony.
3. Upewnić się, że proteza głosowa jest właściwie umieszczona i dobrze zamocowana na popychaczu, a końcówka popychacza znajduje się na wysokości niebieskiego pierścienia protezy głosowej (rys. 3). Zamocować uchwyt zwijający kołnierze protezy w koszulce.
4. Wprowadzić popychacz przez otwór uchwytu zwijającego kołnierze protezy, aż zaskoczy z kliknięciem w odpowiednim położeniu. Pociągając popychacz, dopóki nie zatrzaśnie się w uchwycie zwijającym kołnierze protezy (rys. 11). Podajnik Provox Insertion System jest teraz gotowy do etapu przygotowania. Kontynuować etap przygotowania zgodnie z powyższym opisem w punkcie 2.2.

UWAGA: Nie wolno ponownie załadowywać protezy do podajnika więcej niż dwa razy. Jeśli proteza głosowa Provox Vega wykazuje jakiegokolwiek oznaki uszkodzenia, nie wolno jej używać.

2.5 Zakończenie procedury

Po włożeniu protezy:

Sprawdzenie właściwego dopasowania

1. Sprawdzić, czy proteza głosowa znajduje się we właściwym położeniu, obracając i delikatnie pociągając popychacz (rys. 12). Proteza znajduje się w idealnym położeniu, gdy pasek zabezpieczający jest skierowany w dół.

UWAGA: Sprawdzić, czy oba kołnierze przełykowe zostały całkowicie rozłożone w świetle przełyku. Żadna część powiększonego kołnierza przełykowego nie powinna być widoczna wzdłuż trzonu protezy głosowej, a przy obracaniu proteza głosowa powinna się poruszać swobodnie. Obracanie protezy głosowej przy jej jednoczesnym lekkim popychaniu w stronę przełyku może pomóc w całkowitym rozwinięciu powiększonego kołnierza. W razie wątpliwości zastosować giętką endoskopię do potwierdzenia poprawności umieszczenia protezy wewnątrz przełyku.

Sprawdzenie właściwego działania

2. Wyczyścić protezę Provox Vega szczoteczką Provox Brush. Sprawdzić właściwe działanie protezy, prosząc pacjenta o wydanie głosu i obserwując protezę, gdy pacjent pije wodę (rys. 13.2).

Odcięcie paska zabezpieczającego

3. Po upewnieniu się, że proteza głosowa została prawidłowo umieszczona, odciąć pasek zabezpieczający równo z kołnierzem tchawiczym (rys. 14). Proteza głosowa jest teraz gotowa do użytku.

2.6 Usuwanie

Przy usuwaniu używanego wyrobu medycznego należy zawsze postępować zgodnie z praktyką medyczną oraz krajowymi wymogami dotyczącymi zagrożeń biologicznych.

3. Ważne informacje dla pacjenta

3.1 Informacje ogólne

Należy upewnić się, że pacjent rozumie konieczność skontaktowania się z lekarzem w przypadku gdy:

- występuje przebieg przez protezę lub wokół protezy (kaszel i/lub zmiana koloru śluzu);
- mówienie staje się trudniejsze (konieczny większy wysiłek i/lub głos bardziej wyczerpany);
- występują jakiegokolwiek objawy stanu zapalnego lub zmiany tkanki w miejscu przetoki lub stomy (ból, zaczerwienienie, uczucie gorąca, obrzęk, ślady krwi na szczoteczce po czyszczeniu protezy).

Należy także poinformować pacjenta, że:

- Po wymianie protezy mogą pojawić się ślady krwi w płwocinie. Mogą one pochodzić z tkanki ziarninowej na obrzeżu przetoki tchawiczo-przełykowej.
- Do tymczasowego zatkania przebiegu przez protezę głosową można użyć zatyczki Provox Vega Plug.
- W celu uzyskania optymalnego brzmienia głosu, płynnej mowy i optymalnej zrozumiałości niezbędna jest rehabilitacja logopedyczna.

3.2 Konserwacja protezy

Należy poinstruować pacjenta, jak i kiedy należy czyścić protezę głosową Provox Vega XtraSeal. Czyszczenie protezy co najmniej dwa razy dziennie może przedłużyć jej żywotność.

UWAGA: Do czyszczenia protezy należy stosować wyłącznie oryginalne akcesoria Provox, przeznaczone do stosowania z protezą głosową Provox Vega.

- Czyszczenie protezy dwa razy dziennie za pomocą szczoteczki Provox Brush pomoże usunąć z protezy śluz i resztki jedzenia.
- Przepłukiwanie protezy za pomocą gruszki Provox Flush także pomaga usunąć resztki i śluz z protezy, co przyczynia się do przedłużenia żywotności protezy.
Uwaga: Gruszka Provox Flush jest przeznaczona do użytku wyłącznie przez pacjentów, którzy według oceny lekarza są w stanie stosować się samodzielnie do instrukcji.
- Uważa się, że pewne zasady żywienia, takie jak codzienna porcja jogurtu lub maślanek zawierających bakterie mlekowe, zapobiegają nadmiernemu namnażaniu się grzybów z rodzaju Candida.

Szczegółowe informacje dotyczące sposobu czyszczenia produktu Provox Vega można znaleźć w instrukcjach poszczególnych akcesoriów.

4. Informacje dodatkowe

4.1 Zgodność z badaniami obrazowymi metodą RM i RTG oraz radioterapią

Protezy głosowe Provox Vega XtraSeal zostały przetestowane pod kątem możliwości wykonywania u pacjentów z protezami badań rezonansem magnetycznym (o indukcji do 3 T), promieniowaniem rentgenowskim oraz radioterapii (zbadano dawki do 70 Gy). Protezę można pozostawić w przetocze tchawiczo-przełykowej podczas badania lub naświetlania. Należy zauważyć, że nieprzepuszczający promieniowania rtg pierścien utrzymujący zastawkę jest widoczny w obrazie rentgenowskim.

4.2 Okres eksploatacji

Żywotność urządzenia różni się w zależności od indywidualnych warunków biologicznych i nie da się przewidzieć, jak długo urządzenie będzie prawidłowo działało. Na materiał, z którego wykonano urządzenie, będą oddziaływać przykładowo bakterie i grzyby, co ostatecznie spowoduje pogorszenie jego właściwości.

Badania laboratoryjne symulujące użycie urządzenia przez okres 12 miesięcy wykazują, że przy braku obecności bakterii i drożdżaków urządzenie zachowa w tym czasie swoją funkcjonalność. Żywotność urządzenia ponad 12 miesięcy nie była testowana laboratoryjnie. Decyzja o korzystaniu z protezy przez czas dłuższy niż ten limit zależy wyłącznie od lekarza.

4.3 Zgodność z lekami przeciwgrzybiczymi

W badaniach laboratoryjnych wykazano jedynie niewielki negatywny wpływ na działanie protez głosowych Provox Vega i jej elementów w przypadku następujących leków przeciwgrzybiczych: nystatyna, flukonazol, mikonazol.

4.4 Informacje o pomocy dla użytkownika

Po dodatkową pomoc i informacje prosimy zwracać się pod adres wymieniony na tylnej okładce niniejszej Instrukcji użycia.

5. Zgłaszanie

Należy pamiętać, że każde poważne zdarzenie, do którego doszło w związku z urządzeniem, należy zgłosić producentowi i władzom w kraju zamieszkania użytkownika i/lub pacjenta.

HRVATSKI

Provox Vega XtraSeal

1. Opisne informacje

1.1 Namjena

Provox Vega sterilna je jednokratna ugrađena govorna proteza namijenjena za glasovnu rehabilitaciju nakon kirurškog odstranjenja grkljana (laringektomije). Čišćenje govorne proteze obavlja pacijent dok ona ostaje na mjestu.

Provox Insertion System sterilni je jednokratni proizvod namijenjen za anterogradnu zamjenu govorne proteze Provox Vega. Postupak zamjene treba provesti liječnik ili obučeni zdravstveni djelatnik uz pridržavanje lokalnih i nacionalnih smjernica.

Provox Insertion System nije namijenjen za umetanje govorne proteze u novo napravljenu punkciju.

1.2 Opis proizvoda

Općenito

Govorna proteza Provox Vega jednosmjerni je ventil (proteza) koji drži TE-punkciju otvorenu za govor, dok istovremeno smanjuje opasnost od ulaska tekućina i hrane u traheju. Govorna proteza Provox Vega nije trajni implantat i potrebno ju je periodički mijenjati. Proteza (sl. 1) je dostupna u različitim promjerima i nekoliko dužina.

Provox Vega XtraSeal ima dodatnu povećanu ezofagealnu prirubnicu koja rješava problem s propuštanjem u području oko govorne proteze.

Proizvod je napravljen od silikonske gume medicinskog standarda i fluoroplastike.

Pakiranje proteze Provox Vega XtraSeal

Pakiranje proteze Provox Vega XtraSeal sadrži sljedeće:

- 1 prethodno sastavljenu govornu protezu Provox Vega XtraSeal unutar jednokratnog uređaja Insertion System, sterilnu (sl. 2)
- 1 četkicu Provox Brush veličine koja odgovara govornoj protezi, nesterilnu
- 1 Priručnik za kliničkog djelatnika za protezu Provox Vega XtraSeal
- 1 Priručnik za pacijenta za protezu Provox Vega
- 1 Upute za upotrebu četkice Provox Brush

1.3 KONTRAINDIKACIJE

Ne postoje poznate kontraindikacije za upotrebu ili zamjenu govorne proteze Provox Vega u pacijenata koji se već koriste s protetičkom rehabilitacijom govora.

1.4 UPOZORENJA

- **Može doći do pomicanja ili ekstruzije govorne proteze Provox Vega** iz TE-punkcije te narednog gutanja, aspiracije ili oštećenja tkiva. Strano tijelo u dišnim putevima može uzrokovati ozbiljne komplikacije kao što je akutni respiratorni distres i/ili respiratorni arest.
- **Odaberite ispravnu veličinu proteze.** Tijesno postavljanje može uzrokovati nekrozu i ekstruziju tkiva.
- **Posavjetujte pacijenta da u slučaju tkivnog edema i/ili upale/infekcije odmah zatraži liječničku pomoć.**
- **Savjetujte pacijenta da se obrati liječniku** ako dođe do propuštanja kroz govornu protezu ili oko nje. Propuštanje može uzrokovati aspiracijsku upalu pluća.
- **Ako upotrebljavate laringealnu kanilu ili stomalnu tipku,** odaberite one odgovarajućeg oblika koji ne pritišću protezu niti se zahvaćaju za trahealnu prirubnicu tijekom umetanja i uklanjanja laringealne kanile ili stomalne tipke. To može prouzročiti ozbiljno oštećenje tkiva i/ili slučajno gutanje proteze.
- **Uputite pacijenta da se koristi isključivo originalnim dodacima Provox** odgovarajuće veličine (Brush (četkica), Flush (ispiranje), Plug (čep)) za održavanje i da izbjegava sve ostale vrste rukovanja.
- **Ponovna uporaba i ponovna obrada** mogu uzrokovati unakrsnu kontaminaciju i oštetiti proizvod te ugroziti zdravlje pacijenta.

1.5 MJERE OPREZA

- Prije postavljanja ili zamjene proteze pažljivo procijenite sve pacijente koji imaju poremećaj krvarenja ili primaju antikoagulantnu terapiju zbog rizika od krvarenja ili hemoragije.
- Provjerite pakiranje prije uporabe. Ako je pakiranje oštećeno ili otvoreno, nemojte upotrebljavati proizvod.
- Uvijek primjenjujte sterilnu tehniku prilikom rukovanja protezom kako biste smanjili rizik od nastanka infekcije.

2. Upute za upotrebu

2.1 Odabir veličine govorne proteze

Rabite govornu protezu Provox Vega XtraSeal s odgovarajućim promjerom i duljinom osovine. Provox Vega XtraSeal dostupan je u različitim kombinacijama dužine/promjera.

• Odabir promjera osovine

Klinički djelatnik mora odrediti odgovarajući promjer proteze koji je prikladan za pacijenta.

Ako je odabrani promjer veći od promjera prethodne proteze, trakt se mora proširiti dilatorom Provox Dilator sukladno promjeru proteze koja se umeće.

Ako umećete protezu s manjim promjerom osovine, promatrajte ju i provjerite je li se veličina punkcije smanjila na odgovarajući promjer.

• Odabir dužine osovine

Za odabir ispravne dužine možete upotrijebiti trenutnu protezu kao mjerni uređaj.

Ako ima previše (tj. 3 mm / ~0,12 inča ili više) prostora između trahealne prirubnice stare proteze i stijenke sluznice, treba se upotrijebiti kraća proteza.

Ako proteza sjeda pretijesno, treba se upotrijebiti duža proteza.

Napomena: Osovina proteze Provox Vega XtraSeal otprilike je 1 mm kraća od naznačene veličine zbog povećane ezofagealne prirubnice.

2.2 Priprema

(Sl. 3 – 6).

Namještanje govorne proteze

1. Provjerite je li govorna proteza ispravno postavljena na iglu uvođača i čvrsto pričvršćena, a vrh igle uveden sve do plavog prstena govorne proteze (sl. 3).

Savijanje ezofagealne prirubnice

2. Provjerite je li igla uvodača ispravno namještena uz pomoć pomagala za savijanje (igla će se uvući u pomagalo za savijanje).
3. Pritisnite pomagalo za savijanje s pomoću dva prsta (sl. 4).
4. Pričvrstite cijev za postavljanje dok je pomagalo za savijanje zatvoreno i zakrećite cijev za postavljanje sve dok ne sjedne na svoje mjesto (sl. 5).

Postavljanje

5. Gurajte iglu uvodača prema naprijed sve dok govorna proteza ne bude poravnata s vidljivim prstenom na cijevi za postavljanje (sl. 6).

Uklanjanje stare govorne proteze

6. Izvadite trenutačnu (staru) protezu iz TE-punkcije tako da ju izvučete hemostatom bez zubaca. Osim toga, prema nahodanju kliničkog djelatnika, trahealna prirubnica proteze može se zahvatiti forcepsom i odsjeći. Ostatak proteze zatim se gura u ezofagus kako bi prošao kroz probavni trakt. Prije primjene ove metode treba uzeti u obzir povijest crijevnih bolesti pacijenta.

Priprema punkcije (neobavezno)

7. Punkcija se može raširiti da se pripremi za umetanje govorne proteze. To obično nije potrebno, ali može olakšati umetanje u pacijenata s nagnutom ili uskom punkcijom koja se lako priljubljuje.

2.3 Umetanje, postupak anterogradne zamjene

(Sl. 7 – 10).

OPREZ: Provox Vega XtraSeal s povećanom ezofagealnom prirubnicom mora se postaviti primjenom tehnike prebačaja kako bi se i dodatna povećana ezofagealna prirubnica i ezofagealna prirubnica umetnule u ezofagealni lumen. Prebačajem se cijela proteza umeće u ezofagus, a zatim povlači u željeni položaj.

1. Uklanjanje pomagala za savijanje (neobavezno)

Nakon što se proteza umetne u cijev za postavljanje, uklonite pomagalo za savijanje otkvačivanjem i odspajanjem s cijevi za postavljanje (sl. 7).

2. Ulaženje u TE-punkciju

Primitte cijev za postavljanje uređaja Provox Insertion System. Vrhom cijevi za postavljanje krenite ulaziti u punkciju. Oprezno nastavite ako naidete na otpor. Ako naidete na otpor, raširivanjem i/ili podmazivanjem možete olakšati umetanje.

3. Umetanje govorne proteze

Jednom rukom stabilizirajte cijev za postavljanje, a drugom umećite iglu uvodača dok ne prijedete proksimalnu hvatnu površinu (sl. 8). U ovom je trenutku govorna proteza u potpunosti umetnuta u ezofagus (sl. 9).

Ako se umetanje prebačajem izvodi dok je pomagalo za savijanje sastavljeno, umećite iglu uvodača dok ne prijedete distalnu hvatnu površinu (sl. 10). U ovom je trenutku govorna proteza u potpunosti umetnuta u ezofagus (sl. 9).

4. Otpuštanje govorne proteze

Izvučite cijev za postavljanje iz punkcije. Proteza će ostati u ezofagusu, još uvijek čvrsto pričvršćena na iglu uvodača. Zahvatite trahealnu prirubnicu hemostatom bez zubaca i povucite/zakrenite govornu protezu tako da sjedne na mjesto.

5. Dovršavanje postupka

Nakon umetanja, postupak dovršite na način opisan u nastavku u odjeljku 2.5.

2.4 Sastavljanje i ponovno postavljanje uređaja Provox Insertion System

Ako prvi pokušaj umetanja proteze Provox Vega XtraSeal u TE-punkciju ne uspije, govorna proteza može se ponovno postaviti u uređaj Provox Insertion System.

Namještanje govorne proteze

1. Namjestite govornu protezu tako da trahealna strana bude okrenuta prema dolje na vrhu igle uvodača.
2. Pričvrstite sigurnosnu vrpču tako da je provedete kroz pričvršni utor s obje strane.
3. Provjerite je li govorna proteza ispravno postavljena na iglu uvodača i čvrsto pričvršćena, a vrh igle uveden sve do plavog prstena govorne proteze (sl. 3). Spojite pomagalo za savijanje.
4. Provodite iglu uvodača kroz otvor na pomagalu za savijanje dok ne klikne na mjesto. Povlačite iglu uvodača dok se ne uvuče u pomagalo za savijanje. (Sl. 11). Provox Insertion System sada je spreman za pripremanje. Nastavite s pripremom na način opisan u prethodnom odjeljku 2.2.

OPREZ: ponovno postavljanje nemojte izvoditi više od dva puta. Ako su na govornoj protezi Provox Vega vidljivi znakovi oštećenja, nemojte je rabiti.

2.5 Dovršavanje postupka

Nakon umetanja:

Provjerite pravilnost pristajanja

1. Provjerite nalazi li se govorna proteza u pravilnom položaju tako da zakrenete i lagano povučete iglu uvodača (sl. 12). Proteza je u idealnom položaju kada je sigurnosna vrpča okrenuta prema dolje.

OPREZ: potvrdite da su obje ezofagealne prirubnice u potpunosti umetnute u lumen ezofagusa. Nijedan dio povećane ezofagealne prirubnice ne smije biti vidljiv uzduž osovine govorne proteze, a govorna se proteza prilikom okretanja treba slobodno kretati. Okretanjem govorne proteze i njezinim istovremenim laganim guranjem prema ezofagusu može se olakšati potpuno otvaranje povećane prirubnice. Ako

niste sigurni, fleksibilnim endoskopom potvrdite pravilno postavljanje unutar ezofagusa.

Ispitajte funkcionalnost

2. Očerkajte protezu Provox Vega četkicom Provox Brush. Ispitajte funkcionalnost proteze tako da zamolite pacijenta da nešto kaže i potvrdite da proteza ne propušta dok pacijent pije vodu (sl. 13.2).

Odrežite sigurnosnu vrpcu

3. Nakon što ste potvrdili da je govorna proteza pravilno postavljena, odrežite sigurnosnu vrpcu tako da bude u ravnini s trahealnom prirubnicom (sl. 14). Govorna proteza sada je spremna za upotrebu.

2.6 Odlaganje u otpad

Uvijek slijedite medicinsku praksu i nacionalne zahtjeve glede biološkog otpada kad odlažete korištene medicinske uređaje.

3. Važne informacije za pacijente

3.1 Općenite informacije

Provjerite razumije li pacijent da se mora javiti kliničkom djelatniku ako:

- Postoji propuštanje kroz ili oko proteze (kašalj i/ili mijenjanje boje sluzi).
- Govor postane otežan (veći napor i/ili govor zvuči više napregnuto).
- Dolazi do bilo kakvih znakova upale ili promjene tkiva na mjestu punkcije ili području stome (bol, crvenilo, toplina, otekline, tragovi krvi na četkici nakon čišćenja).

Također, obavijestite pacijenta o sljedećem:

- Nakon zamjene proteze u sputumu može biti tragova krvi. Oni mogu biti rezultat granulacije na rubovima TE-punkcije.
- Čep Provox Vega Plug može se rabiti za privremeno zaustavljanje propuštanja kroz govornu protezu.
- Preporučuju se govorne vježbe s obučanim kliničkim djelatnikom kako bi se postigao optimalan zvuk glasa, tečan govor i optimalna razumljivost.

3.2 Održavanje proteze

Podučite pacijenta tome kada i kako treba čistiti svoju govornu protezu Provox Vega XtraSeal. Čišćenjem proteze barem dva puta dnevno može se produljiti vijek trajanja uređaja.

OPREZ: za čišćenje proteze upotrebljavajte isključivo originalne dodatke Provox koji su namijenjeni za upotrebu s protezom Provox Vega.

- Čišćenjem proteze četkicom Provox Brush dvaput dnevno uklonit ćete sluz i ostatke hrane iz proteze.
- Ispiranjem proteze s pomoću dodatka Provox Flush za ispiranje čiste se nečistoće i sluz iz proteze, čime se može produljiti vijek trajanja uređaja.
Napomena: dodatak Provox Flush za ispiranje namijenjen je samo pacijentima koji su, po procjeni kliničkog djelatnika koji propisuje uređaj, pokazali sposobnost da razumiju i dosljedno se pridržavaju uputa za uporabu bez nadzora kliničkog djelatnika.
- Za neke se prehrambene mjere, kao što je svakodnevni unos jogurta ili mlaćenice koji sadrže laktobacile, smatra da pomažu spriječiti prekomjeran razvoj kandidate.

Detaljne informacije o čišćenju proteze Provox Vega potražite u Uputama odgovarajućeg dodatka.

4. Dodatne informacije

4.1 Kompatibilnost s MR-om, rendgenom i liječenjem zračenjem

Govorne proteze Provox Vega XtraSeal ispitane su i utvrđeno je da su kompatibilne sa snimanjem magnetskom rezonancijom (testirano do 3 tesle) i rendgenom te liječenjem zračenjem (testirano do 70 Gy). Proteza se može ostaviti unutar TE-punkcije tijekom pregleda / terapijskog tretmana. Imajte na umu da je radiokontrastni dosjed ventila vidljiv na rendgenu.

4.2 Životni vijek proizvoda

Ovisno o pojedinačnim biološkim okolnostima razlikuje se životni vijek proizvoda i nije moguće predvidjeti integritet proizvoda tijekom dužeg vremenskog razdoblja. Na materijal proizvoda utjecat će primjerice bakterije i gljivice, a strukturni integritet proizvoda s vremenom će se pogoršati.

Laboratorijsko testiranje simulirane uporabe tijekom razdoblja testiranja od 12 mjeseci dokazalo je da u odsustvu bakterija i gljivica proizvod održava svoj strukturni integritet u tom vremenskom razdoblju. Uređaj nije ispitan za uporabu nakon 12 mjeseci. Upotreba dulja od ove granice ovisi isključivo o osobi koja preporučiti upotrebu proteze.

4.3 Kompatibilnost s antimikoticima

Laboratorijsko testiranje pokazalo je samo manji negativan utjecaj na funkciju govorne proteze Provox Vega i njezinih dijelova kada su se upotrebljavali sljedeći antimikotici: nistatin, flukonazol, mikonazol.

4.4 Informacije o podrŝci korisnicima

Za dodatnu pomoć i informacije pogledajte straŝnju stranu Uputa za upotrebu gdje ćete naći kontaktne informacije.

5. Prijava nezgoda

Sve ozbiljne incidente povezane s uređajem potrebno je prijaviti proizvođaču i nacionalnom tijelu u državi u kojoj se korisnik i/ili bolesnik nalazi.

TÜRKÇE

Provox Vega XtraSeal

1. Tanımlayıcı bilgi

1.1 Kullanım amacı

Provox Vega Ses Protezi larinksin cerrahi olarak çıkarılmasından (larenjektomi) sonra ses rehabilitasyonuna yönelik tek kullanımlık steril kalıcı bir ses protezidir. Ses protezinin temizliđi yerinde kaldığı sırada hasta tarafından yapılır.

Provox Insertion System, Provox Vega Ses Protezinin anterograd deđişimine yönelik tek kullanımlık steril bir cihazdır. Bu deđiştirme prosedürü yerel veya ulusal kılavuz ilkelere göre bir tıp doktoru veya eğitimli bir tıp uzmanı tarafından gerçekleştirilir.

Provox Insertion System bir ses protezinin yeni yapılmıř bir ponksiyona yerleřtirilmesinde kullanıma yönelik deđildir.

1.2 Cihazın tanımı

Genel

Provox Vega, bir TE-ponksiyonunu konuşma amacıyla açık tutarken, trakeye sıvı ve gıda giriři riskini azaltan tek yönlü bir valftir (protez). Provox Vega ses protezi, kalıcı bir implant deđildir ve periyodik olarak deđiştirilmesi gerekir. Protez (řekil 1) farklı çaplarda ve birçok uzunlukta temin edilebilmektedir.

Provox Vega XtraSeal, ses protezi etrafında sızıntı sorunlarını çözmek amacıyla tasarlanan ek bir özofagus flańşına sahiptir.

Cihaz, tıbbi sınıf silikon kauçuk ve floroplastikten yapılmıřtır.

Provox Vega XtraSeal paketi

Provox Vega XtraSeal paketi içinde ařađıdakiler yer alır:

- 1 adet Provox Vega XtraSeal ses protezi, tek kullanımlık Insertion System ile birlikte önceden hazırlanmıř olarak, steril (řekil 2)
- 1 adet ses protezinin boyutuna karřılık gelen Provox Brush, steril olmayan
- 1 adet Provox Vega XtraSeal Klinisyen el kitabı
- 1 adet Provox Vega Hasta el kitabı
- 1 adet Provox Brush Kullanım Talimatları

1.3 KONTRENDİKASYONLAR

Prostetik ses rehabilitasyonu kullanan hastalar arasında Provox Vega ses protezi kullanımı veya deđiştirilmesi ile ilgili bilinen herhangi bir kontrendikasyon yoktur.

1.4 UYARILAR

- **Provox Vega ses protezinin TE ponksiyonundaki yerinden oynaması veya çıkması** ve ardından yutulması, aspirasyonu veya doku hasarı gerçekteřebilir. Solunum yolundaki bir yabancı cisim akut solunum distressi ve/veya solunum durması gibi ciddi komplikasyonlara yol açabilir.
- **Uygun protez boyutunu seçin.** Fazla sıkı olması doku nekrozuna ve ekstrüzyona neden olabilir.
- Herhangi bir ödem ve/veya enflamasyon/enfeksiyon bulgusu varsa **hastaya hemen doktora bařurmasını** söyleyin.
- Hastaya, ses protezinde veya protezin etrafında sızıntı olması halinde **doktora bařurmasını söyleyin.** Sızıntı, aspirasyon pnömonisine neden olabilir.
- Kullanılıyorsa, proteze basınç uygulamayan ya da larenjektomi tüpü veya stoma düđmesinin yerleřtirilmesi ya da çıkarılması sırasında trakeal flańş takılmayan **uygun boyutlu larenjektomi tüpleri ya da stoma düđmeleri** seçin. Bu ađır doku hasarına ve/veya protezin kazara yutulmasına neden olabilir.
- Hastayı, bakım için ve diđer tüm manipölasyon türlerinden kaçınmak amacıyla, **yalnızca uygun boyutta orijinal Provox aksesuarlar** (Brush, Flush, Plug) kullanması konusunda bilgilendirin.
- **Tekrar kullanma veya tekrar işleme koyma** hastaya zarar verebilecek řekilde cihazda hasara ve çapraz kontaminasyona neden olabilir.

1.5 ÖNLEMLER

- Protez yerleřtirme ya da deđiştirme öncesinde kanama bozuklukları olan hastaları veya antikoagölün tedavi alan hastaları kanama veya hemoraji riski açısından dikkatle deđerlendirin.
- Kullanmadan önce ambalajı inceleyin. Ambalaj hasarlı veya açılmıřsa, ürünü kullanmayın.

- Enfeksiyon riskini azaltmak için protez ile çalışırken her zaman aseptik tekniği kullanın.

2. Kullanım talimatı

2.1 Ses protezinin boyutunu seçin

Uygun şaft çapına ve boya sahip bir Provox Vega XtraSeal ses protezi kullandığınızdan emin olun. Provox Vega XtraSeal farklı boy/çap kombinasyonlarında temin edilebilmektedir.

• Şaft çapının seçilmesi

Klinisyenin hastaya uygun protez için doğru protez çapını belirlemesi gerekir. Seçilen çap bir önceki protezden büyükse, traktın yerleştirilen protez çapına uygun olarak Provox Dilator kullanılarak genişletilmesi gerekir. Eğer daha küçük şaft çaplı bir protez takılacaksa, ponksiyonun uygun çapta küçülmüş olduğu gözlenmeli ve iyice kontrol edilmelidir.

• Şaft uzunluğunun seçilmesi

Doğru uzunluğu seçmek için, mevcut protezi ölçüm cihazı olarak kullanabilirsiniz. Eski protezin Trakeal Flaş ve mukoza duvarı arasında çok fazla (örneğin 3 mm/~0,12 inç ya da fazla) boşluk varsa, daha kısa bir protez kullanılmalıdır. Protez aşırı sıkı duruyorsa, daha uzun bir protez kullanılmalıdır.

Not: Provox Vega XtraSeal mili, genişletilmiş özofagus flaşından dolayı belirtilen boyuttan yaklaşık 1 mm daha kısadır.

2.2 Hazırlık

(Şekil 3-6)

Ses protezini konumlandırma

1. Ses Protezinin Yerleştirme Pimi üzerinde doğru konumlanıp sıkıca bağlandığından ve pim ucunun ses protezinin mavi halkasının içine doğru iyice yerleştirilmiş olduğundan emin olun (Şekil 3).

Özofagus flaşını katlama

2. Yerleştirme Piminin Katlama Aracına göre doğru konumda olduğunu (Pim, Katlama Aracının içine oturacaktır) doğrulayın.
3. Katlama Aracını iki parmak ile sıkın (Şekil 4).
4. Katlama Aracını kapalı olarak tutarken Yükleme Tüpünü takın ve Yükleme Tüpünü yerine oturuncaya kadar çevirin (Şekil 5).

Yükleme

5. Yerleştirme Pimini ses protezi Yükleme Tüpü üzerindeki görünen halka ile hizalanana kadar ileri doğru itin (Şekil 6)

Eski ses protezini çıkarma

6. Mevcut (eski) protezi dişsiz bir hemostat ile çekerek TE ponksiyonundan çıkarın. Klinisyenin tercihine bağlı alternatif olarak, protezin trakeal flaş forseps ile kavranıp kesilebilir. Daha sonra protezin kalan kısmı bağırsak yolundan geçiş için özofagusun içine itilir. Bu yöntemi kullanmadan önce hastanın tüm bağırsak hastalıkları geçmişi göz önünde bulundurulmalıdır.

Ponksiyonu hazırlama (opsiyonel)

7. Ponksiyon ses protezinin yerleştirilmesi için genişletilebilir. Bu, genelde gerekli değildir ancak kolayca çökebilene kıvrımlı ya da dar ponksiyona sahip hastalarda yerleştirmeyi kolaylaştırabilir.

2.3 Yerleştirme, Anterograd değiştirme prosedürü

(Şekil 7-10)

DİKKAT: Ekstra genişletilmiş özofagus flaş ve özofagus flaşının birlikte özofagus lümeni içinde açılabilmesi için, genişletilmiş özofagus flaşlı Provox Vega XtraSeal, aşırı itiş tekniği kullanılarak yerleştirilmelidir. Aşırı itiş, protezin tamamının özofagus içine konumlandırılması ve ardından istenen konuma geri çekilmesi anlamına gelir.

1. Katlama Aracını Çıkarma (Opsiyonel)

Protezin Yükleme Tüpüne itilmesinin ardından, Katlama Aracını Yükleme Tüpünden çözüp sökerek çıkarın (Şekil 7).

2. TE ponksiyonuna girme

Provox Insertion System'i Yükleme Tüpünden tutun. Yükleme Tüpünün Ucuyla ponksiyona girin. Dirençle karşılaşırsanız dikkatli ilerleyin. Direnç varsa, dilatasyon ve/veya kayganlaştırma yerleştirmeyi kolaylaştırabilir.

3. Ses protezini yerleştirme

Yükleme Tüpünü tek elle sabit tutun ve Yerleştirme Pimini Proksimal kavrama yüzeyinin ardına kadar diğer elinizle itin (Şekil 8). Bu noktada ses protezi özofagusa tamamen yerleşir (Şekil 9).

Aşırı itmeli yerleştirme Katlama Aracı birleştirilmişken yapılırsa, Yerleştirme Pimini Distal kavrama yüzeyinin ardına kadar itin (Şekil 10). Bu noktada ses protezi özofagusa tamamen yerleşir (Şekil 9).

4. Ses protezini bırakma

Yükleme Tüpünü ponksiyondan doğrudan çıkarın. Protez özofagusta, Yerleştirme Pimine hala sıkı şekilde bağlı olarak kalır. Trakeal flaş dişsiz bir hemostat ile kavrayıp ses protezini yerinde çekin/çevirin.

5. Prosedürü sonlandırma

Yerleştirmenin ardından, prosedürü aşağıdaki bölüm 2.5'te gösterildiği gibi sonlandırın.

2.4 Provox Insertion System'in montajı ve yeniden yüklemesi

Provox Vega XtraSeal'in TE ponksiyonuna yerleştirilmesi ilk denemede başarısız olursa, ses protezini Provox Insertion System içine tekrar yüklemek mümkündür.

Ses protezini konumlandırma

1. Ses protezini trakeal tarafı Yerleştirme Piminin üstüne bakacak şekilde takın.
2. Güvenlik Kayışını iki taraftaki Bağlantı Yuvalarından geçirerek bağlayın.
3. Ses Protezinin Yerleştirme Pimi üzerinde doğru konumlanıp sıkıca bağlandığından ve pim ucunun ses protezinin mavi halkasının içine doğru iyice yerleştirilmiş olduğundan emin olun (Şekil 3). Katlama Aracını takın.
4. Yerleştirme Pimini yerine oturana kadar Katlama Aracının ağzından geçirin. Pimi, Katlama Aracına oturana kadar çekin. (Şekil 11). Provox Insertion System artık hazırlama için hazırdır. Hazırlamaya yukarıdaki bölüm 2.2'de açıkladığı gibi devam edin.

DİKKAT: İki kereden fazla tekrar yükleme yapmayın. Provox Vega ses protezinde hasar belirtileri görürseniz, ses protezini kullanmayın.

2.5 Prosedürü sonlandırma

Yerleştirmeden sonra:

Tam oturduğundan emin olma

1. Yerleştirme Pimini çevirip hafifçe çekerek ses protezinin konumunun düzgün olduğundan emin olun (Şekil 12). Protez, Güvenlik Kayışı aşağı doğru iken ideal konumdadır.

DİKKAT: Her iki özofagus flanşının özofagusun lümeni içine tamamen yerleştiğini doğrulayın. Genişletilmiş özofagus flanşının hiçbir kısmı ses protezinin şaftı boyunca görünmemelidir ve döndürüldüğünde ses protezi serbest şekilde hareket etmelidir. Ses protezi döndürülürken aynı anda hafifçe özofagusa doğru itilmesi, genişletilmiş flanşın tamamen açılmasına yardımcı olur. Emin olmadığınızda, özofagusun içine uygun yerleşimi doğrulamak için fleksibl endoskoptan yararlanın.

Düzgün çalışmayı test etme

2. Provox Vega'yı Provox Brush ile fırçalayın. Hastadan konuşmasını isteyip, hasta su içerken protezin sızdırıp sızdırmadığını gözlemleyerek protezin düzgün çalıştığını test edin (Şekil 13.2).

Güvenlik Kayışını kesme

3. Ses protezinin düzgün yerleştirildiğinden emin olduktan sonra, Güvenlik Kayışını Trakeal Flanşa denk gelecek şekilde kesin (Şekil 14). Ses protezi artık kullanıma hazırdır.

2.6 Atma

Kullanılmış bir tıbbi cihazı atarken biyolojik açıdan tehlikeli maddeler ile ilgili tıbbi uygulamalara ve ulusal koşullara daima uyun.

3. Önemli hasta bilgileri

3.1 Genel bilgiler

Hastanın şu durumlarda klinisyeniyle irtibata geçmesi gerektiğini anladığından emin olun:

- Protezden veya protez etrafında sızıntı varsa (öksürme, ve/veya mukus rengi değişikliği).
- Konuşmada zorlanma varsa (daha fazla çaba ve/veya ses daha zorlanmış gelirse).
- Ponksiyon bölgesinde ya da stoma bölgesinde enflamasyon veya doku değişikliklerine dair belirtiler varsa (ağrı, kızarıklık, sıcaklık, şişlik, fırçalama sonrasında fırçada kan izleri).

Ayrıca hastanıza şunları bildirin:

- Bir protez değiştirme işleminden sonra tükürükte kan izlerine rastlanabilir. Bu TE ponksiyonunun kenarındaki granülasyon dokusundan gelebilir.
- Provox Vega Plug geçici olarak ses protezindeki sızıntıyı durdurmak için kullanılabilir.
- Eğitimli bir klinisyen ile Konuşma Alıştırması Seansları optimal ses gücüne, akıcı konuşmaya ve optimal anlaşılabilirliğe ulaşmak için önerilir.

3.2 Protez bakımı

Hastaya Provox Vega XtraSeal ses protezinin ne zaman ve nasıl temizlenmesi gerektiğini anlatın. Protezi günde en az iki defa temizlemek cihazın ömrünü uzatmaya yardımcı olur.

DİKKAT: Protezi temizlerken sadece Provox Vega ile kullanıma yönelik orijinal Provox aksesuarları kullanın.

- Protezi Provox Brush ile günde iki kez fırçalamak mucusu ve gıda kalıntılarını protezden temizlemeye yardımcı olacaktır.
- Protezi Provox Flush ile fırçalamak ayrıca protezdeki kalıntı ve mucusu temizlemeye yardımcı olarak, cihazın ömrünü uzatmaya yardımcı olacaktır.
Not: Provox Flush yalnızca cihazı reçeteye veren klinisyen tarafından klinisyen gözetimi olmaksızın tutarlı bir şekilde kullanım talimatlarını anlayıp uygulayabilecek durumda olduğuna karar verilmiş hastalar tarafından kullanıma yöneliktir.
- Günlük laktik asit bakterileri içeren yoğurt ya da tereyağı tüketmek gibi bazı beslenme önlemlerinin aşırı Candida gelişimine karşı yardımcı olduğu düşünülmektedir.

Provox Vega'nın nasıl temizlenmesi gerektiğiyle ilgili ayrıntılı bilgi için, lütfen her aksesuar için Kullanma Talimatına bakınız.

4. Ek bilgi

4.1 MR, X-ışını ve ışın tedavisiyle uyumluluk

Provox Vega XtraSeal ses protezleri test edilmiştir ve bu protezlerin Manyetik Rezonans Görüntüleme (3 Tesla'ya kadar test edilmiştir), X ışını ve ışın tedavisi (70 Gy'e kadar test edilmiştir) ile uyumlu olduğu belirlenmiştir. Muayene/tedavi seansı sırasında protez, TE deliği içinde bırakılabilir. Radyopak valf yatağının röntgende görünür olduğunu unutmayın.

4.2 Cihazın kullanım ömrü

Bireysel biyolojik koşullara göre cihaz ömrü farklılık gösterir ve daha uzun bir dönemden sonra cihazın bütünlüğü öngörülemez. Cihazın malzemesi, örn. bakteri ve mayadan etkilenir ve cihazın yapısal bütünlüğü nihayetinde bozulacaktır.

12 aylık simüle edilmiş bir kullanım periyodundaki laboratuvar testleri, bakteri ve mayanın yokluğunda cihazın bu süre içinde yapısal bütünlüğünü koruyacağını göstermiştir. Cihaz 12 aydan uzun süre kullanım için test edilmemiştir. Bu limitin ötesinde kullanım, yalnızca reçetelendirenin sorumluluğundadır.

4.3 Antifungal ilaçlarla uyumluluk

Laboratuvar testleri, aşağıdaki antifungal ilaçların kullanımının, Provox Vega ses protezi ve bileşenlerinin işlevi üzerinde yalnızca küçük bir olumsuz etkisi olduğunu göstermektedir: Nistatin, Flukonazol ve Mikonazol.

4.4 Kullanıcı yardım bilgisi

Daha fazla yardım veya bilgi almak için Kullanım Talimatlarının arka kapağındaki irtibat bilgilerine bakın.

5. İhbar

Cihazla ilgili meydana gelen herhangi bir ciddi olay üreticiye ve kullanıcının ve/veya hastanın ikamet ettiği ülkedeki ulusal yetkiliye bildirilmelidir.

РУССКИЙ

Provox Vega XtraSeal

1. Описание

1.1 Назначение

Голосовой протез Provox Vega является стерильным, постоянным голосовым протезом одноразового использования, предназначенным для восстановления голоса после операции удаления гортани (ларингэктомии). Очистка голосового протеза выполняется пациентом, не вынимая протез из шунта.

Система Provox Insertion System представляет собой стерильное устройство для одноразового использования, которое предназначено для антеградной установки голосового протеза Provox Vega. Такая процедура замены выполняется врачом или квалифицированным медицинским работником в соответствии с установленными рекомендациями.

Система Provox Insertion System не предназначена для установки голосового протеза в новой фистуле.

1.2 Описание устройства

Общие положения

Протез Provox Vega представляет собой одноходовой клапан, который держит трахеопищеводную фистулу в открытом положении для обеспечения речевой функции и снижает риск попадания жидкости и пищи в трахею. Голосовой протез Provox Vega не является долговечным имплантатом, его необходимо периодически менять. Протез (рис. 1) поставляется в нескольких вариантах разных диаметров и различной длины.

Протез Provox Vega XtraSeal имеет дополнительный увеличенный пищеводный фланец, который предназначен для решения проблем с утечками по краям голосового протеза.

Устройство изготовлено из медицинского силикона и фторопласта.

Комплект Provox Vega XtraSeal

Комплект Provox Vega XtraSeal содержит следующие компоненты:

- 1 голосовой протез Provox Vega XtraSeal, предварительно установленный в системе Insertion System для одноразового использования, стерильный (рис. 2)
- 1 щетка Provox Brush, соответствующая по размеру голосовому протезу, нестерильная
- 1 руководство по использованию голосового протеза Provox Vega XtraSeal для врачей
- 1 руководство по использованию голосового протеза Provox Vega для пациентов
- 1 инструкция по применению щетки Provox Brush

1.3 ПРОТИВОПОКАЗАНИЯ

Для использования или замены голосового протеза Provox Vega пациентами, которые проходят курс восстановления голоса с помощью протезирования, не существует никаких известных противопоказаний.

1.4 ПРЕДУПРЕЖДЕНИЯ

- Возможно смещение или выталкивание голосового протеза Provox Vega из трахеопищеводной фистулы и последующее попадание в пищеварительный тракт, вдыхание или повреждение ткани. Инородное тело в дыхательных путях может привести к таким серьезным осложнениям, как синдром острой дыхательной недостаточности и (или) остановка дыхания.
- **Выбирайте протез надлежащего размера.** Плотная установка может привести к некрозу тканей и выталкиванию.
- **Пронструктурируйте пациента о необходимости немедленного обращения к врачу** в случае наличия каких-либо признаков отека ткани и (или) воспаления или инфекции.
- **Пронструктурируйте пациента о необходимости немедленного обращения к врачу**, если через голосовой протез или по краям протеза есть утечка. Утечка может привести к аспирационной пневмонии.
- Если используются ларингэктомические трубки или кнопки стомы, выберите устройства подходящей формы, которые не будут оказывать давление на протез или цепляться за трахеальный фланец протеза во время установки или извлечения ларингэктомической трубки или кнопки стомы. Это может привести к серьезному повреждению тканей и (или) случайному проглатыванию протеза.
- **Объясните пациенту, что необходимо использовать только оригинальные принадлежности Provox** надлежащего размера (Brush, Flush, Plug) для обслуживания и избегать любых других манипуляций.
- **Повторное использование и повторная обработка** могут вызвать перекрестное заражение и повреждение устройства, что может нанести вред пациенту.

1.5 МЕРЫ ПРЕДОСТОРОЖНОСТИ

- Тщательно оценивайте риск развития кровотечения или кровопотери до установки или замены протеза у пациентов с нарушениями свертываемости крови или пациентов, принимающих антикоагулянты.
- Перед использованием осмотрите упаковку комплекта. Если упаковка повреждена или открыта, не используйте изделие.
- Чтобы снизить риск инфицирования, при обращении с протезом всегда следите за тем, чтобы все устройства были чистыми.

2. Инструкции по применению

2.1 Выбор размера голосового протеза

Обязательно используйте голосовые протезы Provox Vega XtraSeal с правильным диаметром стержня и нужной длины. Протез Provox Vega XtraSeal поставляется в различных комбинациях длины/диаметра.

• Выбор диаметра стержня

Врач должен определить правильный диаметр протеза, который подходит для пациента.

Если выбранный диаметр больше, чем у предыдущего протеза, то необходимо расширить тракт с помощью расширителя Provox Dilator, соответствующего диаметру устанавливаемого протеза.

Если устанавливается протез с меньшим диаметром стержня, осмотрите и удостоверьтесь, что фистула сжимается до соответствующего диаметра.

• Выбор длины стержня

Выбор правильной длину можно с помощью используемого протеза в качестве измерительного устройства.

Если между трахеальным фланцем старого протеза и стенкой слизистой слишком большое пространство (то есть 3 мм/~0,12 дюйма или более), необходимо использовать более короткий протез.

Если протез сидит слишком туго, необходимо использовать более длинный протез.

Примечание. Стержень Provox Vega XtraSeal приблизительно на 1 мм короче указанного размера из-за увеличенного пищеводного фланца.

2.2 Подготовка

(рис. 3-6)

Расположение голосового протеза

1. Убедитесь, что голосовой протез правильно расположен на стержне для введения, надежно зафиксирован, а кончик стержня полностью вставлен в синее кольцо голосового протеза (рис. 3).

Свертывание пищеводного фланца

2. Убедитесь, что стержень для введения и свертывающий инструмент расположены правильно (стержень должен быть зафиксирован в свертывающем инструменте).
3. Двумя пальцами сожмите свертывающий инструмент (рис. 4)
4. Установите загрузочную трубку, удерживая свертывающий инструмент в закрытом состоянии, и поверните загрузочную трубку до щелчка (рис. 5).

Установка

5. Продвиньте стержень для введения вперед, чтобы совместить голосовой протез с видимым кольцом на загрузочной трубке (рис. 6).

Извлечение старого голосового протеза

6. Извлеките используемый (старый) протез из трахеопищеводной фистулы вытянув его с помощью кровоостанавливающего зажима без зубцов. Кроме того, по усмотрению врача можно захватить пинцетом трахеальный фланец протеза и обрезать. Оставшаяся часть протеза затем проталкивается в пищевод для прохождения через кишечный тракт. Перед использованием этого метода необходимо учесть историю кишечных заболеваний пациента.

Подготовка фистулы (дополнительно)

7. Возможно, для подготовки установки голосового протеза потребуются расширить фистулу. Обычно это не требуется, но может упростить введение протеза у пациентов с наклонными или плотными фистулами, которые легко сжимаются.

2.3 Процедура установки и антероградной замены

(рис. 7-10)

ПРЕДОСТЕРЕЖЕНИЕ. Протез Provox Vega XtraSeal с увеличенным пищеводным фланцем необходимо устанавливать с использованием методики избыточного введения, чтобы гарантировать, что увеличенный пищеводный фланец и пищеводный фланец развернулись в просвете пищевода. Избыточное введение означает, что голосовой протез полностью развертывается в пищеводе, а затем отводится в нужное положение.

1. Снимите свертывающий инструмент (дополнительно)

После проталкивания протеза в загрузочную трубку снимите свертывающий инструмент, разблокировав и отсоединив его от загрузочной трубки (рис. 7).

2. Войдите в трахеопищеводную фистулу

Удерживайте систему Provox Insertion System за загрузочную трубку. Вставьте кончик загрузочной трубки в фистулу. При наличии сопротивления продолжайте с осторожностью. При наличии сопротивления расширение и (или) смазка могут облегчить установку.

3. Установите голосовой протез

Удерживая загрузочную трубку одной рукой, продвиньте стержень для введения другой рукой за пределы поверхности проксимального захвата (рис. 8). На этом этапе голосовой протез полностью развертывается в пищеводе (рис. 9).

При проведении установки с избыточным введением с установленным свертывающим инструментом продвиньте стержень для введения за пределы поверхности дистального захвата (рис. 10). На этом этапе голосовой протез полностью развертывается в пищеводе (рис. 9).

4. Отпустите голосовой протез

Вытяните загрузочную трубку без перекосов из фистулы. Протез останется в пищеводе; но по-прежнему будет надежно прикреплен к стержню для введения. Захватите трахеальный фланец с помощью кровоостанавливающего зажима без зубцов и потяните/поверните голосовой протез, чтобы он встал на место.

5. Завершите процедуру

После установки завершите процедуру, как описано ниже в разделе 2.5.

2.4 Сборка и повторная установка системы Provox Insertion System

Если при первой попытке не удалось установить протез Provox Vega XtraSeal в трахеопищеводную фистулу, можно повторно загрузить голосовой протез в систему Provox Insertion System.

Расположение голосового протеза

1. Установите голосовой протез на верхушку стержня для введения трахеальной стороной вниз.
2. Прикрепите ремешок безопасности, пропустив его через паз для крепления с любой стороны.
3. Убедитесь, что голосовой протез правильно расположен на стержне для введения, надежно зафиксирован, а кончик стержня полностью вставлен в синее кольцо голосового протеза (рис. 3). Подсоедините свертывающий инструмент.
4. Вставьте стержень для введения через отверстие в свертывающем инструменте до щелчка. Потяните стержень, пока он не будет зафиксирован в свертывающем инструменте. (Рис. 11). Теперь система Provox Insertion System готова для подготовки. Продолжайте подготовку, как описано в разделе 2.2.

ПРЕДОСТЕРЕЖЕНИЕ. Не загружайте изделие более двух раз. Если голосовой протез Provox Vega имеет какие-либо признаки износа, не используйте его.

2.5 Завершение процедуры

После установки:

Обеспечьте правильную посадку

1. Обеспечьте правильное положение голосового протеза, повернув и осторожно потянув стержень для введения (рис. 12). Протез находится в идеальном положении, когда ремешок безопасности обращен вниз.

ПРЕДОСТЕРЕЖЕНИЕ. Убедитесь, что оба пищеводных фланца полностью

развернулись в полости пищевода. При этом никакая часть увеличенного пищеводного фланца не должна быть видна вдоль стержня голосового протеза, а при вращении голосовой протез должен двигаться легко. Чтобы обеспечить полное развертывание увеличенного фланца, рекомендуется повернуть голосовой протез, одновременно слегка прижимая его к пищеводу. В случае сомнений используйте гибкий эндоскоп для проверки правильности установки внутри пищевода.

Проверьте правильность работы

2. Очистите протез Provox Vega с помощью щетки Provox Brush. Проверьте правильность его работы, попросив пациента сказать что-нибудь и проверив, что протез не протекает, когда пациент пьет воду (рис. 13.2).

Обрежьте ремешок безопасности

3. После проверки правильности установки голосового протеза, ровно обрежьте ремешок безопасности на трахеальном фланце (рис. 14). Голосовой протез теперь готов к использованию.

2.6 Утилизация

Всегда следуйте медицинской практике и национальным требованиям в отношении биологической опасности при утилизации использованного медицинского устройства.

3. Важная информация для пациента

3.1 Общая информация

Убедитесь, что пациент осознает необходимость обращения к врачу в следующих случаях.

- Наличие утечки через протез или по краям протеза (кашель и (или) изменение цвета слюны).
- Затруднения во время произнесения речи (требуется больше усилий и/или голос звучит более напряженно).
- Появление любых признаков воспаления или изменения ткани в области фистулы или стомы (боль, покраснение, повышение температуры, опухание, следы крови на щетке после чистки).

Кроме того, проинформируйте пациента о следующих особенностях.

- После замены протеза в слюне могут быть заметны следы крови. Они могут возникать из грануляционной ткани по краям трахеопищеводной фистулы.
- Для временного прекращения утечки через голосовой протез можно использовать Заглушку Provox Vega Plug.
- Для обеспечения надлежащего звука голоса, беглой речи и оптимальной разборчивости рекомендуется пройти логопедические занятия с квалифицированным врачом.

3.2 Обслуживание протеза

Проинструктируйте пациента о периодичности и способах очистки голосового протеза Provox Vega XtraSeal. Чтобы обеспечить длительный срок службы устройства, необходимо чистить его по крайней мере дважды в день.

ПРЕДОСТЕРЕЖЕНИЕ. При чистке протеза Provox Vega пользуйтесь только подлинными принадлежностями Provox, предназначенными для этого устройства.

Для удаления слюны и остатков пищи из протеза очищайте его с помощью щетки Provox Brush дважды в день.

- Промывка протеза с помощью Provox Flush также позволит удалить загрязнения и слюзу с протеза, что обеспечит увеличение его срока службы.

Примечание. Устройство Provox Flush предназначено только для использования теми пациентами, которые (по оценке врача выписавшего это устройство) продемонстрировали способность понимать и последовательно следовать инструкциям по применению без наблюдения врача.

- Некоторые диеты, например ежедневный прием йогурта или пахты, содержащих лактобактерии, считаются полезными против чрезмерного разрастания грибка Candida.

Для получения подробной информации об очистке протеза Provox Vega см. инструкции для каждой принадлежности.

4. Дополнительная информация

4.1 Совместимость с процедурами МРТ, рентгенотерапии и лучевой терапии

Голосовые протезы Provox Vega XtraSeal прошли проверку и признаны совместимыми с процедурами магнитно-резонансной томографии (выполнялась проверка до 3 Тл), рентгенотерапии и лучевой терапии (выполнялась проверка до 70 Гр). Этот протез можно оставлять в трахеопищеводной фистуле во время сеанса обследования/терапии. Обратите внимание, что рентгеноконтрастное седло клапана видимо при рентгенотерапии.

4.2 Срок службы устройства

Срок службы устройства зависит от индивидуальных биологических условий, и предсказать целостность устройства в долгосрочной перспективе невозможно.

На материал устройства будут воздействовать различные бактерии и дрожжевой грибок, поэтому герметичность конструкции устройства со временем ухудшится.

В соответствии с лабораторными испытаниями при отсутствии бактерий и дрожжевых грибов конструктивная целостность устройства сохранится в течение 12 месяцев условного использования. Устройство не тестировалось на использование в течение более продолжительного срока, чем 12 месяцев. Использование устройства по истечении этого срока остается на усмотрение врача.

4.3 Совместимость с противогрибковыми препаратами

Лабораторные испытания выявили лишь слабое негативное влияние на функционирование голосового протеза Provox Vega и его компоненты при применении следующих противогрибковых препаратов: нистатин, флуконазол, миконазол.

4.4 Справочная информация для пользователя

Контактную информацию для получения дополнительной помощи или информации см. на обратной странице обложки настоящей инструкции.

5. Уведомление

Обратите внимание, что о любых серьезных происшествиях с этим устройством необходимо сообщать производителю и в орган государственной власти той страны, в которой проживает пользователь и/или пациент.

日本語

Provox Vega XtraSeal (プロヴォックスヴェガエクストラシール)

1. 本製品の説明

1.1 使用目的

Provox Vega (プロヴォックスヴェガ) ボイスプロテーゼは、単回使用の留置型滅菌済ボイスプロテーゼであり、喉頭の外科的摘出(喉頭摘出術)後のシャント発声に使用します。ボイスプロテーゼの留置中、ボイスプロテーゼの清浄は患者が行います。

Provox Insertion System (プロヴォックスインサージョンシステム) は単回使用の滅菌済デバイスであり、プロヴォックスヴェガボイスプロテーゼを順行的に交換する際に使用します。交換は、国または地域のガイドラインに従って医師または訓練を受けた医療専門家がを行います。

形成したばかりのシャント孔には、プロヴォックスインサージョンシステムを使用しボイスプロテーゼを挿入することを想定していません。

1.2 製品説明

一般事項

プロヴォックスヴェガは一方弁(プロテーゼ)であり、発話のためにシャント孔を開いた状態に保つ一方で、液体や食物が気管に入るリスクを低減します。プロヴォックスヴェガボイスプロテーゼはインプラントではないため、定期的な交換する必要があります。プロテーゼ(図1)は、さまざまな直径と長さを取り揃えています。プロヴォックスヴェガエクストラシールには、ボイスプロテーゼ周囲の漏れを解決するための拡大食道フランジが追加されています。このデバイスは、医療グレードのシリコンゴムおよびフッ素樹脂で作られています。

プロヴォックスヴェガエクストラシールのパッケージ

プロヴォックスヴェガエクストラシールのパッケージには下記の品が同梱されています。

- 単回使用の滅菌済インサージョンシステムに組み込み済みのプロヴォックスヴェガエクストラシールボイスプロテーゼ1個(図2)
- ボイスプロテーゼに適したサイズの未滅菌Provox Brush (プロヴォックスブラシ) 1本
- プロヴォックスヴェガエクストラシール臨床医向け取扱説明書1冊
- プロヴォックスヴェガ患者向け取扱説明書1冊
- プロヴォックスブラシ取扱説明書1冊

1.3 禁忌

プロヴォックスヴェガボイスプロテーゼの使用や交換に関し、すでにシャント発声を行っている患者の間で既知の禁忌はありません。

1.4 警告

- シャント孔からプロヴォックスヴェガボイスプロテーゼがずれたり脱落したりすると、摂取や誤嚥、組織の損傷につながるおそれがあります。気道に異物があると、急性呼吸困難や呼吸停止などの重篤な合併症が起こるおそれがあります。

- 適切なサイズのプロテゼを選択してください。きつく挟まった状態にあると、組織の壊死と穿孔が起こることがあります。
- 組織浮腫や炎症・感染（あるいはその両方）の徴候がある場合は直ぐに、医師の診察を受けるよう患者に指示してください。
- ボイスプロテゼの本体または周辺から漏れがある場合、医師の診察を受けるよう患者に指示してください。漏れにより誤嚥性肺炎を発症する恐れがあります。
- 気管カニューレやストマボタンを使用する場合、それらを挿入したり取り外したりする時に、プロテゼに圧力がかかったり、プロテゼの気管側フランジに引っかかったりしないよう適切な形状のものを使用してください。重篤な組織損傷や偶発的なプロテゼの脱落につながるおそれがあります。
- メンテナンス以外の処理を行わずにすむよう、メンテナンスには、サイズの合った純正のプロヴォックス付属品（ブラシ、フラッシュ、プラグ）のみを使用するよう患者に指示してください。
- 再使用や再処理は二次汚染および製品の破損を招くおそれがあり、患者に害の及ぶことがあります。

1.5 使用上の注意

- 出血性疾患を有する患者や抗凝固薬投与中の患者については、プロステゼの留置や交換を行う前に、出血の危険性について慎重に検討してください。
- 使用前にパッケージを点検してください。パッケージが損傷していたり開いていたりする場合は、使用しないでください。
- 感染の危険性を低減するため、プロテゼを扱う際はかならず無菌法を使用してください。

2.使用方法

2.1 ボイスプロテゼのサイズの選択

シャフトの直径と長さが適切なプロヴォックスヴェガエクストラシールボイスプロテゼをかならず使用してください。プロヴォックスヴェガエクストラシールは、さまざまな長さで直径の組み合わせを取り揃えています。

- シャフト直径の選択
患者に適したプロテゼの直径は臨床医が判断してください。
選択した直径が以前のプロテゼより大きい場合、挿入するプロテゼの直径に合わせて、Provox Dilator（プロヴォックスダイレーター）を使用し路を適宜拡張する必要があります。
シャフトの直径が小さいプロテゼを挿入する場合は、シャント孔が適切な直径まで縮小するかを観察し確認します。
- シャフトの長さの選択
正しい長さを選択するため、現在のプロテゼを測定道具として利用してもかまいません。
古いプロテゼの気管側フランジと粘膜壁間の距離が長すぎる（3mmまたは約0.12インチ以上）場合、短いプロテゼを使用する必要があります。
プロテゼがぴったりしすぎる場合、長いプロテゼを使用する必要があります。
注記：拡大食道フランジなので、プロヴォックスヴェガエクストラシールのシャフトは表示サイズより1mmほど短くなっています。

2.2 準備

(図3-6)

ボイスプロテゼの取付け

1. ボイスプロテゼが挿入ピン上の正しい位置にしっかりと取り付けられ、ピンの先端がボイスプロテゼの青い輪の一番奥まで入っていることを確認します(図3)。

食道フランジの折り曲げ

2. 挿入ピンと折り曲げ道具の位置関係が正しいことを確認します(ピンが折り曲げ道具にバチンとはまった状態)。
3. 2本の指で折り曲げ道具を締め付けます(図4)。
4. 折り曲げ道具を閉じたまま装填チューブを取り付け、所定の位置にロックされるまで挿入器をねじります(図5)。

装填

5. ボイスプロテゼの位置が、装填チューブにある目印の輪の位置と一致するまで、挿入ピンを押し進めます(図6)。

古いボイスプロテゼの取出し

6. 無鉤把持鉗子を用いて、現在の(古い)プロテゼをシャント孔から引き出して取り出します。または、臨床医の自由裁量で、プロテゼの気管側フランジを鉗子でつかみ、切り離してもかまいません。残りのプロテゼは、腸管を通過するよう食道に押し込みます。この方法を行うには、患者の腸の病歴を考慮する必要があります。

シャント孔の準備(オブション)

7. ボイスプロテゼを挿入する準備として、シャント孔を拡張してもかまいません。この処置は通常不要ですが、患者のシャント孔が角度付きだったりきつかったりして崩れやすい場合に挿入が楽になります。

2.3 挿入および順行的な交換の手順

(図7-10)

注意：拡大食道フランジ付きプロヴォックスヴェガエクストラシールは、追加の拡大食道フランジと食道フランジの両方が食道管腔で確実に広がるよう、オーバーシュート手技で留置する必要があります。オーバーシュート手技は、ボイスプロテーゼ全体を食道で広げてから目的の位置まで後退させる方法を意味します。

1. 折り曲げ道具の取外し (オプション)
プロテーゼを装填チューブに押し込んだ後に、折り曲げ道具のロックを外し装填チューブから抜いて取り外します (図7)。
2. シャント孔に入れる
プロヴォックスインサージョンシステムを装填チューブで保持します。装填チューブの先端をシャント孔に入れます。抵抗を感じる場合、慎重に前に進めます。抵抗を感じる場合、拡張したり潤滑を施したりすると楽に挿入できます。
3. ボイスプロテーゼの挿入
片手で装填チューブをしっかりと持ち、近位グリップの表面より奥に、もう片方の手で挿入ピンを押し進めます (図8)。この時点で、ボイスプロテーゼは完全に食道で広がります (図9)。
折り曲げ道具を組み込んだ状態でオーバーシュート挿入を行う場合、遠位グリップの表面より奥に挿入ピンを押し進めます (図10)。この時点で、ボイスプロテーゼは完全に食道で広がります (図9)。
4. ボイスプロテーゼの開放
シャント孔からまっすぐに、装填チューブを引き抜きます。プロテーゼは、挿入ピンに依然としてしっかりと取り付けられた状態で食道に残ります。無鉤保持鉗子で気管側フランジをつかみ、ボイスプロテーゼを所定の位置まで引くか回転させます。
5. 手技の完了
挿入後、下記のセクション2.5に従い手技を完了します。

2.4 組立ておよびプロヴォックスインサージョンシステムの再装填

プロヴォックスヴェガエクストラシールをシャント孔に挿入するのに一度失敗しても、プロヴォックスインサージョンシステムにボイスプロテーゼを再装填可能です。

ボイスプロテーゼの取付け

1. 気管側を下に向けボイスプロテーゼを挿入ピンの先端に載せます。
2. 取付けスロットにセーフティストラップを片側から通して、セーフティストラップを取り付けます。
3. ボイスプロテーゼが挿入ピン上の正しい位置にしっかりと取り付けられ、ピンの先端がボイスプロテーゼの青い輪の一番奥まで入っていることを確認します (図3)。折り曲げ道具を接続します。
4. 折り曲げ道具の開口部に挿入ピンを通し、所定の位置でカチッと音がするまで動かします。ピンが折り曲げ道具にバチンとはまるまでピンを引きます (図11)。プロヴォックスインサージョンシステムの準備ができる状態になりました。セクション2.2に従い、引き続き準備を行います。

注意：再装填は2回が限度です。プロヴォックスヴェガボイスプロテーゼに損傷の兆しが見られる場合は、使用しないでください。

2.5 手技の完了

挿入後：

適切な装着を確認

1. 挿入ピンを回転しゆっくり引いて、ボイスプロテーゼの位置が適切であることを確認します (図12)。セーフティストラップが下側にあれば、プロテーゼの位置は完璧です。

注意：両方の食道フランジ全体が、食道管腔内で広がったことを確認します。拡大食道フランジのどの部分も、ボイスプロテーゼのシャフト上に見えてはなりません。また、ボイスプロテーゼを回転させると、ボイスプロテーゼが自由に動く必要があります。ボイスプロテーゼを回転させると同時に食道方向に軽く押すと、拡大食道フランジを完全に広げることができます。確信がない場合、食道内に適切に留置されたことを軟性内視鏡で確認してください。

適切に機能するかテスト

2. プロヴォックスブラシでプロヴォックスヴェガにブラシをかけます。患者に発話を促し、患者が水を飲んでもプロテーゼから漏れないことを観察し、プロテーゼが適切に機能するかをテストします (図13.2)。

セーフティストラップの切断

3. ボイスプロテーゼが正しく留置されたことを確認後、気管側フランジと同じ高さの位置でセーフティストラップを切り離します (図14)。これでボイスプロテーゼを使い始めることができます。

2.6 廃棄方法

使用済みの医療機器を廃棄する際には、常に国で定められた基準および医療機器の廃棄の基準に従ってください。

3. 重要な患者情報

3.1 一般情報

下記の場合、かならず担当臨床医に連絡するよう患者に念を押してください。

- プロテーゼ本体や周囲から漏れがある (咳や粘液の色の変化)
- 発話が困難 (以前より難儀だったり声がはずんだりする)

- ・シャント孔部位や永久気管孔領域に炎症や組織の変化の徴候が見られる（痛み、赤み、熱、腫張、ブラシをかけたあとのブラシに血痕）
下記の内容も患者に伝えてください。
- ・プロテーゼの交換後、痰に血痕が見られる場合があります。この現象は、シャント孔端部の肉芽増殖組織からの出血と考えられます。
- ・ボイスプロテーゼの漏れは、Provox Vega Plug（プロヴォックスヴェガプラグ）で一時的に止めることができます。
- ・最適な声量で滑らかに話せるよう、訓練を受けた臨床医から発話の訓練を受けるよう勧めてください。

3.2 プロテーゼのメンテナンス

プロヴォックスヴェガエクストラシールボイスプロテーゼを清浄するタイミングおよび方法を患者に指導します。一日に最低2回プロテーゼを清浄すると、デバイス寿命が延びます。

注意：プロテーゼの清浄には、プロヴォックスヴェガ専用の純正付属品のみを使用してください。

- ・一日に2回プロヴォックスブラシでプロテーゼを清浄すると、プロテーゼから粘液や残留食物を除去することができます。
- ・Provox Flush（プロヴォックスフラッシュ）でプロテーゼに水を流してもプロテーゼから碎片や粘液を除去することが可能であり、デバイス寿命が延びます。
注記：プロヴォックスフラッシュは、プロテーゼの処方医が、使用方法を理解し臨床医の監視なしでも常に使用方法を守ることができると判断した患者にのみ使用します。
- ・乳酸菌を含むヨーグルトやバターミルクを毎日摂取するなど、なんらかの食習慣がカンジダ菌の過剰繁殖を抑えるのに役立つと考えられます。

プロヴォックスヴェガの清浄に関する詳細は、付属品の取扱説明書をそれぞれ参照してください。

4. 追加

4.1 MRI、X線、放射線治療との適合性

プロヴォックスヴェガエクストラシールボイスプロテーゼは、磁気共鳴イメージング（3テスラまで）、X線、放射線治療（70 Gyまで）との適合性がテストで実証されています。プロテーゼは、検査や治療中、シャント孔に留置したままにすることができます。ただし、放射線不透過性の弁座がX線画像に写ることに留意してください。

4.2 製品の寿命

個々の生物学的条件により製品の寿命は異なり、長期間にわたって製品が正常に動作するとは限りません。素材が細菌や酵母などの影響を受けると、最終的に構造が変化します。

実際の使用状況で12ヶ月間実験した結果、細菌や酵母がなければデバイスは12ヶ月間正常な構造を保つことが分かっています。12ヶ月間を超える試験は行われていません。12ヶ月間を超える使用については、処方医師の判断を仰いでください。

4.3 抗真菌剤との適合性

非臨床の実験結果により、以下の抗真菌剤を使用した場合に、プロテーゼの機能と部品にわずかながら悪影響が生じる可能性があることが示されています。ナイスタチン、フルコナゾール、ミコナゾール。

4.4 コーザ支援情報

さらなるサポートまたは情報については、本取扱説明書の裏表示に記載の連絡先情報を参照してください。

5. 報告

製品に関連して発生した重大な事故はすべて、使用者および/または患者が居住している国の製造業者および国家当局に報告されますので、ご了承ください。

한국어

Provox Vega XtraSeal

1. 설명 정보

1.1 적합한 사용

Provox Vega 인공성대는 후두절제술을 받은 후 음성 재활을 위한 일회용 무균 유치 인공성대입니다. 인공성대의 세정은 인공성대가 삽입된 상태에서 환자가 수행합니다.

Provox Insertion System은 Provox Vega 인공성대의 진행성 교체를 위한 일회용 무균 장치입니다. 이 교체 시술은 현지 또는 국가별 지침에 따라 의사 또는 훈련을 받은 의료 전문가가 수행합니다.

Provox Insertion System은 새로 생성된 천공에 인공성대를 삽입하는 데에는 사용할 수 없습니다.

1.2 장치 설명

일반 사항

Provox Vega는 음식물과 액체가 기관에 유입될 위험을 줄이면서 발성을 위해 TE 천공을 열린 상태로 유지하는 단방향 밸브(인공성대)입니다. Provox Vega 인공성대는 영구적인 이식물이 아니며 정기적인 교체가 필요합니다. 이 인공성대(그림 1)는 다양한 직경과 길이로 제공됩니다.

Provox Vega XtraSeal에는 인공성대 주변의 누출 문제를 해결하기 위해 추가 확장 식도 플랜지가 있습니다.

이 장치는 의약품 실리кон 고무와 불소수지 성분으로 제작됩니다.

Provox Vega XtraSeal 패키지

Provox Vega XtraSeal 패키지에 포함된 항목은 다음과 같습니다.

- Provox Vega XtraSeal 인공성대 1개, 일회용 Insertion System에 사전 장착됨, 무균(그림 2)
- 인공성대에 해당하는 크기의 Provox Brush(솔) 1개, 무균 아님
- Provox Vega XtraSeal 임상 설명서 1개
- Provox Vega 환자 설명서 1개
- Provox Brush 사용 안내 1개

1.3 금기 사항

인공성대 재활을 이미 하고 있는 환자가 Provox Vega 인공성대를 사용하거나 교체할 때의 알려진 금기 사항은 없습니다.

1.4 경고

- TE 천공으로부터 Provox Vega 인공성대가 이탈 또는 분출되고 그로 인한 흡입, 흡인 또는 조직 손상이 발생할 수 있습니다. 기도에 이물질이 유입될 경우, 급성 호흡 곤란 및/또는 호흡 정지 등 여러 합병증이 발생할 수 있습니다.
- 적합한 인공성대 크기를 선택하십시오. 너무 꽉 끼면 조직 괴사가 발생하고 분출될 수 있습니다.
- 조직 부종 및/또는 염증/감염의 징후가 있는 경우, 즉시 의사와 상의하도록 환자에게 안내하십시오.
- 인공성대나 그 주위에 누출이 발생한 경우 의사와 상의하도록 환자에게 지시하십시오. 누출될 경우 흡인성 폐렴을 유발할 수 있습니다.
- 후두절제 튜브 또는 기문 버튼의 삽입 및 제거 시 인공성대의 기관 플랜지에 걸리지 않고 인공성대에 압력을 가하지 않는 적합한 모양의 후두절제 튜브 또는 기문 버튼을 선택하십시오. 그렇지 않으면 심각한 조직 손상 및/또는 인공성대의 우발적 흡입이 초래될 수 있습니다.
- 유지 관리 시 해당 크기(Brush, Flush, Plug)의 정품 Provox 부속품만 사용하고 어떠한 유형의 조작도 하지 않도록 환자에게 지시하십시오.
- 재사용 및 재처리할 경우 교차 오염과 장치 손상이 발생하여 환자가 피해를 입을 수 있습니다.

1.5 주의 사항

- 출혈성 질환이 있거나 항응고제 치료를 받고 있는 환자의 경우, 인공성대의 배치 또는 교체 전에 출혈 위험이 있는지 세밀하게 진단하십시오.
- 사용 전에 패키지를 검사하십시오. 패키지가 손상되었거나 개봉된 경우 제품을 사용하지 마십시오.
- 감염 위험을 줄이기 위해 인공성대 취급 시 무균 기법을 항상 이용하십시오.

2. 사용 안내

2.1 인공성대 크기 선택

반드시 샤프트 직경 및 길이가 적합한 Provox Vega XtraSeal 인공성대를 사용해야 합니다. Provox Vega XtraSeal은 다양한 길이/직경의 조합으로 제공됩니다.

- 샤프트 직경 선택
임상의가 환자에게 적합한 인공성대의 직경을 결정해야 합니다. 선택한 직경이 이전 인공성대보다 큰 경우, 삽입할 인공성대 직경에 맞는 Provox Dilator를 사용하여 관을 확장해야 합니다. 샤프트 직경이 작은 인공성대를 삽입하는 경우, 천공이 적합한 직경에 맞게 수축되는지 관찰하고 확인하십시오.
- 샤프트 길이 선택
올바른 길이를 선택하기 위해 현재의 인공성대를 자체 측정 장치로 사용할 수 있습니다. 이전 인공성대의 기관 플랜지와 점막 벽 사이에 공간이 너무 많으면(즉, 3 mm / 0.12인치 이상) 더 짧은 인공성대를 사용해야 합니다. 인공성대가 너무 짧을 경우, 더 긴 인공성대를 사용해야 합니다.
참고: Provox Vega XtraSeal의 샤프트는 확장된 식도 플랜지로 인해 명시된 크기보다 ca 1 mm 더 짧습니다.

2.2 준비

(그림 3-6)

인공성대 배치

1. 삽입 핀의 끝부분이 인공성대의 파란색 링 쪽에 위치한 채로 인공성대가 삽입 핀에 올바르게 위치하고 단단히 부착되어 있는지 확인합니다(그림 3).

식도 플랜지 접기

2. 삽입 핀이 폴딩 장치에 올바르게 위치하는지 확인합니다(핀이 폴딩 장치에 끼워짐).

3. 손가락 2개로 폴딩 장치를 눌러 좁힙니다(그림 4).
4. 폴딩 장치가 닫힌 상태에서 장착 튜브를 연결하고 제자리에 잠길 때까지 장착 튜브를 돌립니다(그림 5).

장착

5. 인공성대가 장착 튜브의 링과 정렬될 때까지 삽입 핀을 앞으로 밀니다(그림 6).

이전 인공성대 제거

6. 이가 없는 지혈검자로 현재(이전) 인공성대를 잡아 당겨 TE 천공에서 현재 인공성대를 제거합니다. 또는 의사의 재량에 따라 인공성대의 기관 플랜지를 검자로 잡아 절단할 수도 있습니다. 그런 다음 인공성대의 나머지 부분을 식도로 밀어 넣어 장관까지 통로를 만듭니다. 이 방법을 사용하기 전에 환자의 장 질환 병력을 고려해야 합니다.

천공 준비(선택 사항)

7. 천공을 확장하여 인공성대의 삽입을 준비할 수 있습니다. 이 작업은 대개 필요하지 않지만, 천공이 각지거나 꼭 끼어 쉽게 접히는 경우에 이 작업을 하면 삽입이 용이해집니다.

2.3 삽입, 전행성 교체 시술

(그림 7-10)

주의: 추가 확장 식도 플랜지와 식도 플랜지가 모두 식도강 안에 전개되도록 하기 위해 확장 식도 플랜지가 포함된 Provox Vega XtraSeal은 반드시 오버슈팅 기법으로 배치해야 합니다. 오버슈팅이란 인공성대 전체를 식도에 전개한 후 필요한 위치까지 후퇴시키는 것을 말합니다.

1. 폴딩 장치 제거(선택 사항)
인공성대를 장착 튜브 안으로 밀어 넣었으면 폴딩 장치를 풀고 장착 튜브에서 분리하여 제거합니다(그림 7).
2. TE 천공 진입
장착 튜브로 Provox Insertion System을 고정합니다. 장착 튜브의 끝부분을 천공에 삽입합니다. 저항이 느껴질 경우 조심해서 진행합니다. 저항이 있는 경우, 확장 및/또는 윤활을 하면 삽입이 용이해질 수 있습니다.
3. 인공성대 삽입
한 손으로 장착 튜브를 흔들리지 않게 잡고 다른 손으로 근위부 그림 면을 지날 때까지 삽입 핀을 밀니다(그림 8). 그러면 인공성대가 식도에 완전히 전개됩니다(그림 9).
폴딩 장치가 장착된 상태로 오버슈팅 삽입을 수행하는 경우, 말단부 그림 면을 지날 때까지 삽입 핀을 밀니다(그림 10). 그러면 인공성대가 식도에 완전히 전개됩니다(그림 9).
4. 인공성대 방출
천공에서 장착 튜브를 똑바로 당겨 빼냅니다. 인공성대가 삽입 핀에 여전히 부착된 채로 식도에 남아 있습니다. 이가 없는 지혈검자로 기관 플랜지를 잡아 인공성대를 회전시키고 당겨 제자리에 위치시킵니다.
5. 시술 끝내기
삽입이 끝났으면 아래 2.5절에 설명된 대로 시술을 끝냅니다.

2.4 Provox Insertion System 조립 및 재장착

첫 번째 시도에서 Provox Vega XtraSeal을 TE 천공에 삽입하는 데 실패하더라도 인공성대를 Provox Insertion System에 재장착할 수 있습니다.

인공성대 배치

1. 기관 쪽이 아래의 삽입 핀 상단을 향하도록 하여 인공성대를 장착합니다.
2. 한쪽에서 연결 슬롯을 통과시켜 안전 끈을 연결합니다.
3. 삽입 핀의 끝부분이 인공성대의 파란색 링 쪽에 위치한 채로 인공성대가 삽입 핀에 올바르게 위치하고 단단히 부착되어 있는지 확인합니다(그림 3). 폴딩 장치를 연결합니다.
4. 삽입 핀이 딸각 소리를 내며 제자리에 위치할 때까지 삽입 핀을 폴딩 장치의 구멍으로 통과시킵니다. 삽입 핀이 폴딩 장치에 끼워질 때까지 삽입 핀을 당깁니다. (그림 11). 이제 Provox Insertion System을 준비할 수 있습니다. 위 2.2절에 설명된 대로 준비 작업을 계속합니다.

주의: 2회를 초과하여 재장착하지 마십시오. 손상 징후가 있는 Provox Vega 인공성대는 사용하지 마십시오.

2.5 시술 끝내기

삽입 후:

잘 맞는지 확인

1. 삽입 핀을 회전시킨 후 조심스럽게 당겨 인공성대의 위치가 올바른지 확인합니다(그림 12). 안전 끈이 아래쪽을 향하면 인공성대가 올바른 위치에 있는 것입니다.

주의: 두 식도 플랜지가 모두 식도강에 완전히 전개되었는지 확인하십시오. 인공성대 소프트에서 확장 식도 플랜지가 보이지 않아야 하며, 회전시킬 때 인공성대가 자유롭게 움직여야 합니다. 식도 쪽으로 약간 밀면서 인공성대를 회전시키면 확장 플랜지를 완전히 펴는 데 도움이 됩니다. 확실치 않을 때는 굴곡 내시경 검사를 통해 식도 내 위치가 올바른지 확인하십시오.

정상 작동 여부 테스트

2. Provox Brush로 Provox Vega를 솔질합니다. 환자에게 말을 시키고 환자가 물을 마실 때 인공성대의 누출 여부를 관찰하여 인공성대가 올바르게 작동하는지 테스트합니다(그림 13.2).

안전 끈 절단

3. 인공성대가 올바르게 배치되었으면 안전 끈을 절단하여 기관 플랜지와 함께 씻기도록 합니다(그림 14). 이제 인공성대를 사용할 준비가 되었습니다.

2.6 폐기

사용한 의료 기기를 폐기할 때에는 항상 생물학적 위험물질에 관한 의료기준과 국가 요건을 따르십시오.

3. 중요 환자 정보

3.1 일반 정보

다음의 경우 임상 의에게 연락하도록 환자에게 주시킵시십시오.

- 인공성대나 그 주변에 누출이 있는 경우(기침 및/또는 점액 색 변화).
- 발성이 힘들어지는 경우(말할 때 더 힘이 들거나 말소리가 더 부자연스러워짐).
- 천공 또는 기문 부위에 염증 또는 조직 변화의 징후가 있는 경우(통증, 발적, 열, 부기, 술질 후 술에 혈흔이 남음).

또한 다음 사항을 환자에게 알려주십시오.

- 인공성대 교체 후 타액에 혈흔이 보일 수 있습니다. 이는 TE 천공 가장자리의 육아 조직에서 발생한 것일 수 있습니다.
- 인공성대의 누출을 임시로 막기 위해 Provox Vega Plug를 사용할 수 있습니다.
- 최적의 음성, 능숙한 발성 및 최적의 발음 명료성을 얻으려면, 훈련을 받은 임상 의가 진행하는 발성 훈련 세션에 참가하는 것이 좋습니다.

3.2 인공성대 유지 관리

Provox Vega XtraSeal 인공성대의 세정 시기 및 방법을 환자에게 설명해 주십시오. 하루에 2회 이상 인공성대를 세정하면 장치 수명을 늘릴 수 있습니다.

주의: 인공성대 세정 시 Provox Vega용으로 제작된 정품 Provox 부속품만 사용하십시오.

- Provox Brush로 인공성대를 하루에 2회 솔질하면 인공성대에서 점액과 음식 찌꺼기를 제거하는 데 도움이 됩니다.
- Provox Flush로 인공성대를 세정해도 인공성대에서 찌꺼기와 점액을 제거하고 장치 수명을 늘리는 데 도움이 됩니다.

참고: Provox Flush는 장치를 처방한 임상 의가 사용 안내를 숙지하고 임상 의의 감독 없이 항상 이를 준수할 수 있다고 판단한 환자만이 사용할 수 있습니다.

- 유산균이 함유된 요구르트나 버터 우유 등을 매일 섭취하면 칸디다의 과도한 증식을 억제하는 데 유용한 것으로 알려져 있습니다.

Provox Vega 세정 방법에 대한 자세한 내용은 각 부속품의 사용 안내를 참조하십시오.

4. 추가 정보

4.1 MRI, X선 및 방사선 요법과의 호환성

테스트 결과, Provox Vega XtraSeal 인공성대는 자기공명영상(MRI)(최대 3Tesla로 테스트), X선 및 방사선 요법(최대 70Gy로 테스트)과 호환되는 것으로 확인되었습니다. 검사/치료 중에 인공성대를 TE 천공에 그대로 두어도 무방합니다. 방사선 비투과 밸브 시트는 X선 촬영 시 나타납니다.

4.2 장치 수명

장치 수명은 개별 생물학적 환경에 따라 달라지므로 장치의 장기적인 무결성을 예측하는 것은 불가능합니다. 장치의 재료 성분은 세균, 이스트 등의 영향을 받으며, 장치의 구조적 무결성은 시간이 흐르면서 저하됩니다.

12개월 동안 모의 사용을 거친 실험실 테스트 결과, 세균과 이스트가 없는 상태에서 이 장치는 12개월 동안 구조적 무결성을 유지했습니다. 이 장치는 12개월을 초과한 기간에 대해서는 테스트되지 않았습니다. 이 한계를 벗어나 사용하는 것은 처방자의 단독 재량에 의한 것입니다.

4.3 항진균제와의 호환성

실험실 테스트 결과, 다음 항진균제 사용 시 Provox Vega 인공성대 및 구성품에 약간의 부정적인 영향만을 미치는 것으로 나타났습니다: 니스타틴(Nystatin), 플루코나졸(Fluconazole), 미코나졸(Miconazol).

4.4 사용자 지원 정보

추가 지원이나 정보가 필요한 경우에는 사용 안내 뒷표지의 연락처 정보를 참조하십시오.

5. 보고

장치와 관련하여 발생한 심각한 사고는 제조업체와 사용자 및/또는 환자가 거주하는 국가의 국가기관에 신고해야 합니다.

Provox Vega XtraSeal

1. 說明資訊

1.1 預定用途

Provox Vega 人工發聲瓣為滅菌一次性留置式裝置，專用於喉頭移除手術（喉頭切除術）後的声音復健。患者進行人工發聲瓣清潔時，該裝置須保持原來位置。

Provox Insertion System 為滅菌式一次性裝置，專用於 Provox Vega 人工發聲瓣的順行性更換。必須由醫生或受過訓練的醫療專業人員按當地或國家準則進行此更換手術。

Provox Insertion System 不可用於在新近形成的穿刺口中插入人工發聲瓣。

1.2 裝置說明

一般

Provox Vega 為單向閥門（人工發聲瓣），可使氣管食道穿刺口保持開啟以進行發聲，同時降低液體和食物進入氣管的風險。Provox Vega 人工發聲瓣並非永久性植入物，需要定期更換。我們提供不同直徑與多種長度的人工發聲瓣（圖 1）。

Provox Vega XtraSeal 具備額外的擴大型食道固定邊，可用於解決人工發聲瓣周圍出現漏氣問題。

裝置由醫用級矽膠和氟塑膠製成。

Provox Vega XtraSeal 套裝

Provox Vega XtraSeal 套裝包含下列項目：

- 1 個 Provox Vega XtraSeal 人工發聲瓣（已於一次性 Insertion System 中預先組裝）；滅菌式（圖 2）
- 1 個相應人工發聲瓣尺寸的 Provox Brush；非滅菌式
- 1 本《Provox Vega XtraSeal 醫生手冊》
- 1 本《Provox Vega 患者手冊》
- 1 本《Provox Brush 使用說明》

1.3 禁忌症

目前在透過人工發聲瓣進行聲音復健的患者中，並未出現任何有關 Provox Vega 人工發聲瓣的已知使用或更換禁忌症。

1.4 警告

- Provox Vega 人工發聲瓣若從氣管食道穿刺口中移位或受擠壓，其後可能會造成被吞下、吸入或組織損傷。氣管中有異物可能會導致嚴重的併發症，例如急性呼吸窘迫和/或呼吸驟停。
- 請選擇尺寸適合的人工發聲瓣。置入緊繃人工發聲瓣可能會導致組織壞死與裝置擠出。
- 若出現任何組織腫脹和/或發炎/感染的徵象，請指示患者立即諮詢醫生。
- 若人工發聲瓣本身或人工發聲瓣周圍漏氣，請指示患者立即諮詢醫生。漏氣可能會導致吸入性肺炎。
- 若使用喉切除術套管或造口鈕，請選擇合適尺寸，以避免在插入和移除期間對人工發聲瓣施加壓力或勾住其氣管固定邊。否則可能會導致嚴重組織損傷和/或意外吞下人工發聲瓣。
- 指示患者，只能使用相應尺寸的原廠 Provox 配件（Brush、Flush、Plug）來進行保養，避免所有其他類型的操作。
- 重複使用和重新處理可能會導致裝置的交叉污染和損壞，這可能對患者造成傷害。

1.5 注意事項

- 在置入或更換人工發聲瓣之前，請對患有出血性疾病或正在接受抗凝劑治療的患者進行審慎評估，確認是否有滲血或出血風險。
- 使用前請檢查套裝內容。如果套裝損壞或曾遭到開啟，請勿使用本產品。
- 處理人工發聲瓣時一律使用無菌技術，以降低感染風險。

2. 使用說明

2.1 選擇人工發聲瓣的尺寸

確認使用正確軸桿直徑和長度的 Provox Vega XtraSeal 人工發聲瓣。Provox Vega XtraSeal 提供不同長度/直徑組合。

- 選擇軸桿直徑
醫生應判斷適合患者的正確人工發聲瓣直徑。
如果所選擇的直徑大於先前的人工發聲瓣，則必須使用適合插入之人工發聲瓣直徑的 Provox Dilator 來擴大穿刺口。
如果插入較小軸桿直徑的人工發聲瓣，請觀察並確保將穿刺口縮小至合適直徑。
- 選擇軸桿長度
若要選擇正確的長度，您可能需要使用當前的人工發聲瓣作為其本身的度量裝置。

如果舊人工發聲瓣的氣管固定邊和黏膜壁之間存在過大（即 3 毫米/約 0.12 英寸或以上）的空間，則應使用更短的人工發聲瓣。

如果人工發聲瓣置入過緊，則應使用更長的人工發聲瓣。

備註：由於食道固定邊擴大，因此 Provox Vega XtraSeal 軸桿相較於所指示的尺寸會大約短小 1 毫米。

2.2 準備

(圖 3-6)

定位人工發聲瓣

1. 確認人工發聲瓣正確定位於置入桿上並穩固連接，且置入桿尖端完全定位於人工發聲瓣的藍色環中(圖 3)。

摺疊食道固定邊

2. 確認置入桿已正確定位於摺疊工具(置入桿應卡扣至摺疊工具中)。
3. 使用兩指同時擠壓摺疊工具(圖 4)。
4. 連接置入管同時保持摺疊工具閉合，並扭轉置入管直到其卡至定位(圖 5)。

置入

5. 向前推動置入桿直到人工發聲瓣與置入管上的可見環對齊(圖 6)。

移除舊的人工發聲瓣

6. 使用無鋸齒止血鉗，將當前(舊)的人工發聲瓣從氣管食道穿孔口拉出移除。或者，由醫生酌情決定，以鉗具夾住人工發聲瓣的氣管固定邊並剪斷。將剩餘部分的人工發聲瓣推入食道中，以通過腸道。使用此方法前，應將患者的任何腸臟疾病病史列入考量。

準備穿孔口(選擇性)

7. 可能須擴大穿孔口，以備插入人工發聲瓣。此方法通常為非必要之步驟，但可協助插入患者容易塌陷之有角度或緊縮的穿孔口。

2.3 插入、順行性更換手術

(圖 7-10)

注意：置入具有擴大型食道固定邊的 Provox Vega XtraSeal 時必須使用「過度超出」技術，以確保額外擴大型食道固定邊和一般食道固定邊可同時在食道腔內展開。「過度超出」是指人工發聲瓣在食道內完全展開，並回縮至預定位置。

1. 移除摺疊工具(選擇性)
將人工發聲瓣推入置入管後，透過鬆開和拔除方式將摺疊工具從置入管移除(圖 7)。
2. 進入氣管食道穿孔口
握住 Provox Insertion System 的置入管。使用置入管尖端進入穿孔口。如果遇到阻力，請謹慎推進。如發生阻力問題，請擴大穿孔口和/或塗抹潤滑劑，即可輕鬆插入。
3. 插入人工發聲瓣
一手牢固地握住置入管，另一手將置入桿推出近側握把面(圖 8)。至此人工發聲瓣即可在食道內完全展開(圖 9)。如果您使用保持組裝的摺疊工具進行「過度超出」插入，請將置入桿推出遠側握把面(圖 10)。至此人工發聲瓣即可在食道內完全展開(圖 9)。
4. 釋放人工發聲瓣
直接將置入管拉出穿孔口。人工發聲瓣會留在食道中，且與置入桿穩固連接。使用無鋸齒止血鉗夾住氣管固定邊，並拉動/轉動人工發聲瓣使其卡至定位。
5. 完成手術
完成插入後，請依照以下第 2.5 節之說明完成手術。

2.4 組裝及重新置入 Provox Insertion System

如果首次嘗試將 Provox Vega XtraSeal 插入氣管食道穿孔口失敗，可以將人工發聲瓣重新置入 Provox Insertion System。

定位人工發聲瓣

1. 安裝人工發聲瓣，將氣管側朝下面對置入桿頂端。
2. 將安全帶穿入兩側連接槽進行連接。
3. 確認人工發聲瓣正確定位於置入桿上並穩固連接，且置入桿尖端完全定位於人工發聲瓣的藍色環中(圖 3)。連接摺疊工具。
4. 將置入桿導入摺疊工具的開口直到其卡至定位。拉動置入桿直到其卡扣至摺疊工具中。(圖 11)。Provox Insertion System 目前已準備就緒。依照以上第 2.2 節的說明繼續準備。

注意：重新置入次數請勿超過兩次。如果 Provox Vega 人工發聲瓣出現任何損壞的徵象，請勿使用。

2.5 完成手術

插入後：

確認正確置入

1. 轉動並輕輕拉動置入桿，確認人工發聲瓣正確定位(圖 12)。若安全帶朝向下方，即人工發聲瓣位於理想位置。

注意：確認兩種食道固定邊皆已完全於食道腔內展開。擴大型食道固定邊的任何部分皆不可出現在人工發聲瓣軸桿周圍，且當您轉動人工發聲瓣時，該裝置可順暢移動。轉動人工發聲瓣並同時輕輕將其推向食道，有助於擴大型固定邊完全展開。如不確定是否成功，可使用軟式內窺鏡確認其是否正確置入食道內。

測試功能正確運作

2. 使用 Provox Brush 塗刷 Provox Vega。要求患者說話，並觀察確認其喝水時人工發聲瓣不會發生洩漏情形，藉以測試該裝置之功能是否正確運作（圖 13.2）。

剪斷安全帶

3. 確認人工發聲瓣正確置入後，剪斷安全帶，確認該裝置與氣管固定邊齊平（圖 14）。人工發聲瓣現已可以使用了。

2.6 丟棄

拋棄使用過之醫藥裝置時，請遵守生物危害相關的醫療實踐及國家規範。

3. 重要患者資訊

3.1 一般資訊

如發生以下情形，確認患者瞭解應與醫生聯絡：

- 人工發聲瓣中間或周圍漏氣（引起咳嗽和/或黏液顏色改變）。
- 說話變得困難（需要更用力和/或聲音聽起來更緊繃）。
- 穿刺部位或造口區域出現炎症或組織變化等任何徵象（疼痛、發紅、發熱、腫脹、塗刷後刷毛有血跡）。

另外，告知患者以下情形：

- 更換人工發聲瓣後，痰液中可能會出現血跡。這可能是因為氣管食道穿刺口邊緣出現顆粒化組織所引起。
- Provox Vega Plug 可用於暫時阻擋人工發聲瓣出現漏氣問題。
- 建議患者接受經訓練之醫生的「說話訓練課程」，使其能夠發出理想聲音、順暢說話，並建立理想的言語辨識度。

3.2 人工發聲瓣保養

指示患者清潔 Provox Vega XtraSeal 人工發聲瓣的時間與方式。每天至少清潔人工發聲瓣兩次，可幫助延長裝置壽命。

注意：清潔人工發聲瓣時，只限使用適合與 Provox Vega 搭配使用的 Provox 原廠配件。

- 每天使用 Provox Brush 清潔人工發聲瓣兩次，可幫助去除該裝置上的黏液和食物殘渣。
- 使用 Provox Flush 沖洗人工發聲瓣也可幫助清潔該裝置上的碎屑和黏液，並延長其壽命。

備註：Provox Flush 只限用於在無醫生監督下表達瞭解且能持續遵循使用說明的患者（需曾接受開立裝置處方的醫生評估）。

- 部分飲食方式（例如每日攝取含有乳酸桿菌的優格或乳酪）被認為可有效防止念珠菌屬過度增生。

有關如何清潔 Provox Vega 的詳細資訊，請參閱各配件的說明。

4. 其他資訊

4.1 與核磁共振成像、X 光與放射治療的相容性

Provox Vega XtraSeal 人工發聲瓣經測試發現可相容於核磁共振成像（經最高 3 特士拉單位測試）、X 光和放射治療（經最高 70 戈雷單位測試）。人工發聲瓣在檢驗/治療階段期間可留置於氣管食道穿刺口內。請注意，不透射線閥座會顯示於 X 光之下。

4.2 裝置使用壽命

裝置的使用壽命因不同的個體生物環境而異，因此無法預測本裝置在經過較長時間使用後的完整性。本裝置的材料會受到細菌和酵母菌等的影響，其結構完整性最終會受到破壞。

經實驗室 12 個月的模擬使用測試結果顯示，在無細菌和酵母菌的環境中，本裝置可在此期間維持其結構完整性。該裝置使用測試時間未超過 12 個月。超過此期限的使用由處方者酌情決定。

4.3 與抗真菌藥物的相容性

實驗室測試顯示，使用以下抗真菌藥物對 Provox Vega 人工發聲瓣及組件的功能產生的不良影響極小：Nystatin、Fluconazole 和 Miconazole。

4.4 使用者協助資訊

如需其他協助或資訊，請參閱本《使用說明》封底的聯絡資訊。

5. 回報

請注意，與裝置相關的任何嚴重事件均應回報給使用者和/患者所在國家/地區的製造商和政府當局。

בחן ביצוע נכון

2. הברש את Provox Vega עם מברשת Provox Brush. כדי לבחון את ביצועי התותב, בקש מהמטופל לדבר ובדוק שהתותב לא דולף בזמן שהמטופל שותה מים (איור 13.2).
- חתוך את רצועת הביטחון**
3. לאחר שוידאת שתותב הדיבור ממוקם כראוי, חתוך את רצועת הביטחון כך שהיא נמצאת ברצף עם עוגן קנה הנשימה (איור 14). תותב הדיבור מוכן כעת לשימוש.

2.6 סילוק

פעל תמיד בהתאם לפרקטיקה הרפואית ולדרישות הנהוגות במדינה בנוגע לנושאים של סיכון ביולוגי בעת סילוקו של התקן רפואי משומש.

3. מידע חשוב למטופל

3.1 מידע כללי

- יש לוודא שהמטופל מבין כי עליו לפנות לרופא שלו אם:**
- קיימת דליפה דרך או מסביב לתותב (שיעול ו/או שינוי בצבע הריר).
 - קושי בדיבור (מאמץ גדול יותר ו/או קול שנשמע מתוח יותר).
 - קיימים סימנים לדלקת או שינויים ברקמה באזור החתך או אזור הסטומה (כאב, אדמומיות, חום, נפיחות, שאריות דם על המברשת לאחר הברשה).
- כמו כן, יש להביא ידיעת המטופל כי:**
- לאחר החלפת התותב ייתכן וימצאו שאריות דם בליחה. זה עלול להגיע מרקמת גרנולציה בקצות החתך בין קנה הנשימה לוושט.
 - ניתן להשתמש ב-Provox Vega Plug על מנת לעצור באופן זמני דליפה דרך תותב הדיבור.
 - רצוי לערוך מפגשי אימון דיבור עם רופא מוסמך על מנת להגיע לצליל קול אופטימלי, דיבור שוטף ומובנת אופטימלית.

3.2 תחזוקת התותב

הורה למטופל מתי ואיך לנקות את תותב ה-Provox Vega XtraSeal שלו/ה. ניקוי התותב לפחות פעמיים ביום יכול לעזור להאריך את חיי המכשיר.

זהירות: בעת ניקוי התותב יש להשתמש אך ורק באביזרי Provox מקוריים שמיועדים לשימוש עם מערכת Provox Vega.

- הברשת התותב עם מברשת Provox Brush פעמיים ביום תעזור להסיר ריר ושאריות אוכל מהתותב.
- שטיפת התותב עם התקן השטיפה Provox Flush יכולה לעזור לנקות לכלוך וריר מהתותב, אשר יכולים להאריך את חיי המכשיר.
- הערה:** התקן השטיפה Provox Flush מיועד לשימוש רק על ידי מטופלים אשר הראו יכולת להבין ולעקוב בעקביות אחר הוראות השימוש ללא פיקוח הרופא, נתון להערכת הרופא שרושם להם את המכשיר.
- אמצעים תזונתיים מסוימים, כגון צריכה יומית של יוגורט או רוויון המכילים חיידקי לקטובצילוס, נחשבים כמסייעים למניעת צמיחת-יתר של קנדידה.

למידע מפורט על אופן הניקוי של ה-Provox Vega, עיין בהוראות של כל אביזר.

4. מידע נוסף

4.1 תאימות לדימות בתהודה מגנטית (MRI), צילומי רנטגן (X-ray) וטיפול קרינתי

תותבי הדיבור Provox Vega XtraSeal נבדקו ונמצאו מתאימים להדמיית תהודה מגנטית (נבחן עד 3 טסלה), רנטגן והקטרנות (נבחנו עד 70 גריי). ניתן להשאיר את התותב בתוך החתך בין קנה הנשימה לוושט בזמן הבדיקה/הטיפול. שים לב שתושב השסתום האטום לקרינה מופיע בצילומי רנטגן.

4.2 אורך חיי המכשיר

משך החיים של המכשיר משתנה בהתאם לנסיבות הביולוגיות הפרטניות, ואין אפשרות לחזות את שלמותו של המכשיר על פני פרק זמן ארוך יותר. החומר שממנו עשוי המכשיר יושפע, לדוגמה, מחיידקים ושמרים, והשלמות המבנית של המכשיר תיפגע בסופו של דבר.

בדיקות מעבדה של שימוש מדומה לתקופת מבחן של 12 חודשים מראים שבהיעדר בקטריות או פטריות, המכשיר ישמור על שלמות מבנית במשך הזמן הזה. המכשיר לא נבדק לשימוש מעל 12 חודשים. השימוש מעבר למגבלה זו הוא לפי שיקול דעתו הבלעדי של הרופא המורה על הטיפול.

4.3 תאימות עם תרופות נגד פטריות

בבדיקות מעבדה התגלתה השפעה שלילית מזערית בלבד על התפקוד של תותב הדיבור Provox Vega ושל הרכיבים השונים בעקבות שימוש בתרופות נגד פטריות הבאות: Nystatin (ניסטטין), Fluconazole (פלוקונאזול), Mikonazol (מיקונאזול).

4.4 מידע מסייע למשתמש

לקבלת עזרה נוספת או מידע נוסף, עיין בפרטים ליצירת קשר באריזה האחורית של הוראות השימוש.

5. חובת דיווח

לתשומת לבך, כל תקרית חמורה שתתרחש בהקשר להתקן תדווח ליצרן ולרשות הלאומית במדינת המגורים של המשתמש ו/או המטופל.

2.2 הכנה

(איורים 3-6)

מיקום תותב הדיבור

1. ודא כי תותב הדיבור ממוקם כהלכה על פין ההכנסה, מחובר היטב, ושקצה הפין מגיע עד הסוף בתוך הטבעת הכחולה של תותב הדיבור (איור 3).

קפל את עוגן הוושט

2. ודא כי פין ההכנסה ממוקם בצורה נכונה עם כלי הקיפול (הפין צריך להיות נעול בתוך כלי הקיפול).
3. לחץ את כלי הקיפול עם שתי אצבעות (איור 4).
4. חבר את צינור הטעינה בזמן שאתה שומר על כלי הקיפול סגור וסובב את צינור הטעינה עד שהוא ננעל במקום (איור 5).

טעינה

5. דחוף את פין ההכנסה קדימה עד שתותב הדיבור מיושר עם הטבעת הנראית לעין על צינור הטעינה (איור 6).

הסר את תותב הדיבור הישן

6. הסר את התותב הנוכחי (הישן) מהחתך בין קנה הנשימה לוושט על ידי משיכתו החוצה עם המוסטט לא משונו. לחלופין, לשיקול דעתו של הרופא, ניתן לתפוס את עוגן קנה הנשימה של התותב עם מלקחיים ואז לחתוך אותו. לאחר מכן, דוחפים את שאר התותב לתוך הוושט למעבר דרך מעיים. יש לקחת בחשבון את ההיסטוריה של מחלות מעיים של המטופל לפני השימוש בשיטה זו.

הכנה את החתך (אופציונלי)

7. ניתן להרחיב את החתך על מנת להכין אותו להכנסת תותב הדיבור. זה בדרך כלל אינו הכרחי אבל יכול להקל על ההכנסה במטופלים עם חתכים בזווית או חתכים צרים אשר עלולים לקרוס בקלות.

2.3 הכנה, הליך החלפה אנטרוגרדי

(איורים 7-10)

זהירות: יש למקם את Provox Vega XtraSeal עם עוגן וושט מוגדל על ידי טכניקת הכנסת היתר על מנת לאבטח את עוגן הוושט המוגדל הנוסף ועוגן הוושט. שניהם נפרסים בתוך חלל הוושט. הכנסת יתר משמעה שכל התותב נפרס בתוך הוושט ואז מוחזר למיקום המיועד.

1. הסר את כלי הקיפול (אופציונלי)

לאחר שהתותב נדחף לתוך צינור הטעינה, הסר את כלי הקיפול על ידי הסרת הנעילה וניתוקו מצינור הטעינה (איור 7).

2. היכנס לחתך בין קנה הנשימה לוושט

החזק את Provox Insertion System בצינור הטעינה. היכנס לתוך החתך עם קצה צינור הטעינה. המשך בזהירות אם אתה נתקל בהתנגדות. אם קיימת התנגדות, הרחבה ו/או סיכור יכולים להקל על ההכנסה.

3. הכנס את תותב הדיבור

החזק את צינור הטעינה באופן יציב עם יד אחת ודחף את פין ההכנסה עם היד השנייה מעבר למשטח האחזקה הפרוקסימלי (איור 8). בשלב הזה תותב הדיבור פרוס באופן מלא בתוך הוושט (איור 9).

אם מתבצעת הכנסת יתר עם כלי הקיפול מורכב, דחוף את פין ההכנסה מעבר למשטח האחזקה הדיסטלי (איור 10) בשלב זה תותב הדיבור פרוס במלואו בוושט (איור 9).

4. שחרר את תותב הדיבור

משוך את צינור הטעינה ישירות מחוץ לחתך. התותב נשאר בוושט, עדיין מחובר היטב לפין ההכנסה. תפוס את עוגן קנה הנשימה בעזרת המוסטט לא משונו ומשוך/סובב את תותב הדיבור למקום.

5. השלם את ההליך

לאחר ההכנסה, השלם את ההליך כמתואר מטה בסעיף 2.5.

2.4 הרכבה וטעינה מחדש של Provox Insertion System

אם ניסיון ההכנסה הראשון של Provox Vega XtraSeal לתוך החתך בין קנה הנשימה לוושט לא הצליח, ניתן לטעון מחדש את תותב הדיבור לתוך Provox Insertion System.

מיקום תותב הדיבור

1. הרכב את תותב הדיבור עם הצד של קנה הנשימה כלפי מטה על גבי פין ההכנסה.
2. חבר את רצועת הביטחון על ידי הובלתה דרך חריץ החיבור משני הצדדים.
3. ודא כי תותב הדיבור ממוקם כהלכה על פין ההכנסה, מחובר היטב ושקצה הפין ממוקם עד הסוף בתוך הטבעת הכחולה של תותב הדיבור (איור 3). חבר את כלי הקיפול.
4. הובל את פין ההדחפה דרך הפתח בכלי הקיפול עד שהוא נכנס למקום בנקישה. משוך את הפין עד שהפין נכנס לתוך כלי הקיפול. (איור 11). Provox Insertion System כעת מוכנה להכנות. המשך בהכנות כמתואר מעלה בסעיף 2.2.

זהירות: אין להטעין יותר מפעמיים. אם קיים כל סימן לנזק על תותב הדיבור Provox Vega, אל תשתמש בתותב הדיבור.

2.5 השלם את ההליך

לאחר ההכנסה:

ודא התאמה נכונה

1. ודא מיקום נכון של תותב הדיבור על ידי סיבובו ומשיכה עדינה בפין ההכנסה (איור 12). התותב נמצא במיקום אידיאלי כאשר רצועת הביטחון מצביעה כלפי מטה.
- זהירות:** ודא כי שני עוגני הוושט נפרסו במלואם בחלל הוושט. אף חלק של עוגן הוושט לא

צריך להיות נראה לעין לאורך הניצב של תותב הדיבור ותותב הדיבור אמור לנוע בחופשיות בזמן סיבוב. סיבוב תותב הדיבור ובו בזמן דחיפה קלה שלו לכיוון הוושט יכול לעזור לפרוס את העוגן המוגדל בצורה מלאה. במקרה של חוסר ודאות, השתמש באנדוסקופיה גמישה כדי לוודא מיקום נכון בתוך הוושט.

Provox Vega XtraSeal

1. מידע תיאורי

1.1 שימוש מיועד

תותב הדיבור Provox Vega הוא תותב דיבור סטרילי חד פעמי המוחדר פנימה המיועד לשיקום הדיבור אחרי הסרה כירורגית של בית הקול. ניקוי תותב הדיבור נעשה על ידי המטופל, כשהתותב נותר במקומו.

Provox Insertion System היא מכשיר סטרילי לשימוש יחיד המיועד להחלפה אנטרוגרדית של תותב הדיבור Provox Vega. הליך החלפה זה מבוצע על ידי רופא או איש מקצוע מוסמך בהתאם להנחיות מקומיות או לאומיות.

Provox Insertion System לא מיועדת לשימוש להכנסת תותב הדיבור לתוך חתך טרי.

1.2 תיאור המכשיר

כללי

ה-Provox Vega הוא שתום חד כיווני (תותב) אשר שומר את החתך בין קנה הנשימה לווטט פתוח לדיבור, ומקטין את הסיכון לכניסת נוזלים או מזון לקנה הנשימה. תותב הדיבור של Provox Vega אינו שתל קבוע, ויש להחליפו באופן תקופתי. התותב (איור 1) זמין בקטרים שונים ובמספר אורכים.

ל-Provox Vega XtraSeal יש עוגן וושטי נוסף מוגדל המיועד לפתור בעיות של דליפה מסביב לתותב הדיבור.

המכשיר עשוי מסיליקון רפואי ופלאורופלסטיק.

חבילת Provox Vega XtraSeal

חבילת Provox Vega XtraSeal מכילה את הפריטים הבאים:

- תותב דיבור Provox Vega XtraSeal אחד, מורכב מראש במערכת הכנסה לשימוש יחיד (איור 2)
- מברשת Provox Brush אחת בגודל המתאים לתותב הדיבור, לא סטרילית
- מדריך Provox Vega XtraSeal אחד לרופא
- מדריך Provox Vega אחד למטופל
- הוראות שימוש למברשת Provox Brush אחת

1.3 התוויות-נגד

לא קיימות התוויות נגד ידועות לשימוש או החלפה של תותב הדיבור Provox Vega בקרב מטופלים שכבר משתמשים בשיקום עם תותב דיבור.

1.4 אזהרות

- יכולה להתרחש תזוזה או יציאה של תותב הדיבור Provox Vega מהחלל בין קנה הנשימה לווטט אשר עלולה להוביל להכנסת מזון, שאיפה או מזק לרקמה. גוף זר בדרכי האוויר עלול לגרום לסיבוכים חמורים כגון מצוקה נשימתית חריפה דום נשימה
- **בחר את גודל התותב המתאים.** התאמה הדוקה מידי עלולה לגרום לנמק ברקמות ולתזוזה של התותב.
- **הורה למטופל להיוועץ עם רופא** אם קיימים סימנים כלשהם לבצקת ברקמה ו/או דלקת/זיהום.
- **הורה למטופל להיוועץ עם רופא** אם קיימת דליפה דרך או מסביב לתותב הדיבור. דליפה עלולה לגרום לדלקת ריאות הנובעת משאיפה.
- **אם בשימוש, בחר קנולות בעלות צורה מתאימה** אשר לא מפעילות לחץ על התותב או נתפסות בשוליים של התותב אשר בקנה הנשימה בזמן ההכנסה או ההוצאה של הקנולה. זה עלול להוביל לנזק חמור לרקמה ו/או הכנסת מזון לתותב שלא בכונה.
- **הורה למטופל להשתמש אך ורק באביזרי Provox מקוריים** בגודל מתאים (מברשת, שטיפה, פקק) לתחזוקה ולהימנע מכל מניפולציה אחרת.
- **שימוש חוזר ועיבוד חוזר** עלולים לגרום לזיהום ונזק למכשיר, שעלולים לגרום לנזק למטופל.

1.5 אמצעי זהירות

- בצע הערכה זהירה של כל מטופל עם הפרעות דימום או שעובר טיפול אנטיקוגולנטי לסיכון לדימום או שטף דם לפני הכנסת או החלפת התותב.
- בדוק את האריזה לפני השימוש. אם האריזה פגומה או פתוחה, אל תשתמש במוצר.
- תמיד יש להשתמש בטכניקות אספטיקות בעת טיפול בתותב על מנת להקטין את הסיכון לזיהום.

2. הוראות שימוש

2.1 בחר את גודל תותב הדיבור

ודא שאתה משתמש בתותב דיבור Provox Vega XtraSeal עם קוטר וגודל ניצב מתאימים. Provox Vega XtraSeal זמין בקטרי ניצבים שונים ובמספר גדלים.

- **בחירת קוטר הניצב**
הרופא אמור לקבוע את הקוטר המתאים של התותב למטופל.
אם הקוטר הנבחר גדול יותר מהתותב הקודם יש להרחיב את הווטט על ידי ה-Provox Dilator, המתאים לקוטר של התותב שמוכנס.
אם מוכנס תותב בעל קוטר ניצב קטן יותר, בדוק וודא כי החתך התכווץ לקוטר המתאים.
 - **בחירת אורך הניצב**
על מנת לבחור באורך הנכון, ניתן להשתמש בתותב הנוכחי בתור מכשיר המדידה שלו.
אם יש רווח של יותר מ-3 מ"מ / כ-0.12 אינץ' בין האוגן הקני ודופן הרירית, יש להשתמש בתותב קצר יותר.
אם התותב יושב בצורה צפופה מדי, יש להשתמש בתותב ארוך יותר.
- הערה:** הניצב של Provox Vega XtraSeal קצר ב-1 מ"מ מהגודל המצוין כתוצאה מעוגן וושט מוגדל.

2.5 تنفيذ الخطوات النهائية للإجراء

بعد الإدخال:

التأكد من التركيب الصحيح

1. تأكد من الوضع الصحيح للأعضاء الصوتية الاصطناعية عبر تدوير دبوس الإدخال وسحبه برفق (شكل 12). يكون العضو الاصطناعي في الوضع المثالي عندما يشير حزام الأمان للأسفل.
- تنبيه: تأكد من أن كلا الشفيرين المرئيين قد دخلا إلى تجويف المرئ بالكامل. يجب أن لا يكون أي جزء من الشفير المرئيين المكبر مرئياً بجانب محور جهاز الصوت الاصطناعي ويجب أن يتحرك بحرية عند إدارته. يمكن لإدارة جهاز الصوت الاصطناعي بينما يتم في الوقت نفسه دفعه بعض الشيء نحو المرئ أن يساعد على بسط الشفيرة المكبرة بالكامل. في حال عدم التأكد، استعمل التنظير لتأكيد الوضع الصحيح داخل المرئ.

اختبار الأداء المناسب للمناسبة للوظيفة

2. قم بتنظيف جهاز Provox Vega بالفرشاة مستخدماً فرشاة Provox Brush. اختر مدى أداء العضو الاصطناعي لوظائفه بشكل صحيح عبر مطالبة المريض بالتحدث وعبر مراقبة عدم وجود تسرب من العضو الاصطناعي أثناء قيام المريض بشرب المياه (شكل 13.2).

قطع حزام الأمان

3. بعد التأكد من وضع الأعضاء الصوتية الاصطناعية في مكانها بشكل صحيح، اقطع حزام الأمان بحيث يكون متساوياً مع شفة الرغامي (شكل 14). جهاز الصوت الاصطناعي جاهز الآن للاستعمال.

2.6 التخلص من المنتج

احرص دائماً على اتباع الممارسات الطبية والمتطلبات الوطنية المتعلقة بالمخاطر الحيوية عند التخلص من جهاز طبي مستعمل.

3. معلومات هامة للمريض

3.1 معلومات عامة

تأكد من أن المريض يفهم أن عليه الاتصال بطبيبه إذا:

- وجود تسرب خلال عضو الصوت الاصطناعي أو حوله (سعال أو تغير لون المخاط أو كلاهما).
- وجود صعوبة في النطق (وعلامه ذلك بذل مجهود كبير و/أو إرهاق كبير في الصوت).
- وجود أي علامات على التهاب أو تغيرات الأنسجة في منطقة الثقب أو منطقة الفقرة (ألم، أو احمرار، أو حرارة، أو تورم، أو آثار للدماء على الفرشاة بعد التنظيف بالفرشاة).

أبلغ المريض أيضًا بما يلي:

- بعد استبدال العضو الاصطناعي، قد يُعثر على آثار دماء في البلغم. قد يأتي هذا من النسيج الجبيني على حافتي الفقرة الرغامية.
- يمكن استخدام سدادة Provox Vega Plug مؤقتًا لوقف التسرب عبر الأعضاء الصوتية الاصطناعية.
- يُنصح بجلسات تدريب على المحادثة مع الطبيب المرئيب للحصول على أفضل صوت، وأتقن حديث، وأمثل فهم.

3.2 صيانة الجهاز الاصطناعي

علم المريض متى وكيف ينظف جهاز الصوت الاصطناعي Provox Vega XtraSeal. يمكن لتنظيف العضو الاصطناعي مرتين على الأقل يوميًا أن يساعد في إطالة عمر الجهاز.

تنبيه: لا تستخدم سوى ملحقات Provox الأصلية المخصصة للاستخدام مع Provox Vega عند تنظيف الأعضاء الاصطناعية.

- سيساعد تنظيف العضو الاصطناعي بفرشاة Provox مرتين يوميًا في إزالة المخاط وبقايا الطعام عن العضو الاصطناعي.
- يساعد أيضًا شطف العضو الاصطناعي باستخدام غسول Provox Flush في تنظيف العضو الاصطناعي من البقايا والمخاط، الأمر الذي يمكن أن يساعد على إطالة العمر الافتراضي للجهاز.
- ملاحظة: إن غسول Provox Flush مصمم للاستخدام فقط من قبل المرضى الذين خضعوا للتقييم بواسطة الطبيب الذي يصف الجهاز الذي أوصح قدرتهم على فهم واتباع تعليمات الاستخدام باستمرار دون إشراف الطبيب.
- تُعد بعض إجراءات النظام الغذائي، كالتناول اليومي للبن الزبادي أو مخفوق اللبن الذي يحتوي على اللبنات، مفيدة ضد النمو المفرط للمبيضات.

للصول على معلومات مفصلة عن كيفية تنظيف Provox Vega، انظر التعليمات الخاصة بكل قطعة إضافية.

4. معلومات إضافية

4.1 التوافق مع التصوير بالرنين المغناطيسي (MRI) والأشعة السينية والعلاج بالإشعاع

خضعت الأعضاء الصوتية الاصطناعية Provox Vega XtraSeal للاختبار وُجد أنها متوافقة مع التصوير بالرنين المغناطيسي (خضعت للاختبار حتى 3 تسلا)، والأشعة السينية والعلاج بالإشعاع (خضعت للاختبار حتى ٧٠ غراي). يمكن ترك العضو الاصطناعي داخل الفقرة الرغامية أثناء جلسة الفحص/العلاج. لاحظ أن قاعدة الصمام غير المنفذ للأشعة مرئية على أشعة x.

4.2 عمر الجهاز

يتباين العمر الافتراضي للجهاز وفقًا للظروف البيولوجية الفردية ولا يمكن التنبؤ بالسلامة البنوية للجهاز على مدار فترة زمنية طويلة. سوف تتأثر مواد الجهاز، بالبكتريا والخمائر على سبيل المثال، وستندهور السلامة البنوية للجهاز في نهاية الأمر.

تُظهر الاختبارات العملية للاستخدام المحاكى لفترة اختبار تبلغ 12 شهرًا أن الجهاز سيحافظ على سلامته البنوية طوال هذه المدة في غياب البكتريا والفطريات. لم يخضع الجهاز للاختبار بخصوص الاستخدام لما يزيد عن 12 شهرًا. ويرجع أمر الاستخدام فيما بعد هذا الحد إلى التقدير المطلق للواصف.

4.3 التوافق مع الدواء المضاد للفطريات

أظهرت الاختبارات العملية تأثيرًا سلبيًا بسيطًا على تشغيل أعضاء Provox Vega الصوتية الاصطناعية ومكوناتها عند استخدام الأدوية المضادة للفطريات التالية: نستاتين وفلوكونازول وميكونازول.

4.4 معلومات مساعدة المستخدم

من أجل المساعدة أو المعلومات الإضافية، انظر الغلاف الخلفي لتعليمات الاستخدام من أجل معلومات جهة الاتصال بنا

5. الإبلاغ

يُرجى ملاحظة أنه يجب إبلاغ الشركة المُصنعة والسلطة الوطنية بالبلد الذي يقيم فيه المستخدم وأو المريض بأي حادث خطير يقع في ما يتعلق بالجهاز.

2. تعليمات الاستخدام

2.1 اختيار مقاس الأعضاء الصوتية الاصطناعية

تأكد من استعمال جهاز الصوت الاصطناعي Provox Vega XtraSeal ذات قطر وطول محور مناسبين. Provox Vega XtraSeal متاحة في مجموعات مختلفة من الأطوال / الأقطار.

- **تحديد قطر المحور**
يجب على الطبيب أن يقرر القطر المناسب للعضو الاصطناعي المناسب للمريض.
إذا اخترت قطرًا أكبر من العضو الاصطناعي السابق، يجب توسيع المجرى باستخدام مُوسع Provox Dilator المناسب لقطر العضو الاصطناعي الذي يجري إدخاله.
إذا أدخل جهاز ذو قطر محور أصغر، راقب وتأكد من أن ثقب الإدخال قد انكمش إلى القطر الملائم.
- **تحديد طول المحور**
لتحديد الطول الصحيح، يمكنك استخدام العضو الاصطناعي الحالي باعتباره جهاز القياس الخاص به.
إذا كانت هناك مسافة كبيرة للغاية (أي 3 مم -/ 0.12 بوصة أو أكثر) بين شفة الرغامي الخاصة بالعضو الاصطناعي القديم والجدار المخاطي، يجب استخدام عضو اصطناعي أقصر.
يجب استخدام عضو اصطناعي أطول إذا تم تثبيت العضو الاصطناعي بشكل بالغ الإحكام.
ملاحظة: محور Provox Vega XtraSeal أقصر بحوالي 1 ملليمتر من المقاس المبين نتيجة الشفير المرئتي المكبر.

2.2 الإعداد

(الشكل 6-3)

وضع الأعضاء الصوتية الاصطناعية

1. تأكد من أن الأعضاء الصوتية الاصطناعية موضوعة بطريقة صحيحة على دبوس الإدخال المثبت بشكل محكم وذلك أثناء وضع طرف الدبوس حتى نهاية الحلقة الزرقاء للأعضاء الصوتية الاصطناعية (الشكل 3).
 2. **طبي شفة المرئ**
تحقق من أن دبوس الإدخال موضوع بطريقة صحيحة مع أداة الطبي (يجب أن يصدر صوت طقطقة عند وضع الدبوس في أداة الطبي).
 3. اضغط على أداة الطبي بإصبعين (الشكل 4).
 4. قم بتركيب أنبوب التحميل مع إبقاء أداة الطبي مغلقة في الوقت نفسه ولف أنبوب التحميل إلى أن يستقر في مكانه (الشكل 5).
- التحميل**
5. ادفع دبوس الإدخال للأمام إلى أن تتم محاذاة الأعضاء الصوتية الاصطناعية مع الحلقة الظاهرة على أنبوب التحميل (الشكل 6).

إزالة الأعضاء الصوتية الاصطناعية القديمة

6. قم بإزالة العضو الاصطناعي الحالي (أو القديم) من الفغرة الرغامية عبر سحبه خارجًا باستخدام ملقاط قاطع للنفذ غير مسنن. أو يمكن مسك شفة الرغامي الخاصة بالعضو الاصطناعي، حسب تقدير الطبيب، باستخدام الملقاط وقطعها. وعندئذ يمكن دفع بقية العضو الاصطناعي إلى داخل المريء للمرور عبر مجرى الأمعاء. يجب مراعاة السجل المرضي للمريض المتعلق بأي أمراض معوية قبل استخدام هذا الأسلوب.

تحضير الثقب (اختياري)

7. ويجب توسيع الثقب للتحضير لإدخال الأعضاء الصوتية الاصطناعية. وهذا الإجراء لا يكون ضروريًا عادةً ولكنه يمكن أن يسهل الإدخال لدى المرضى الذين تكون الثقوب عندهم بزاوية أو ضيقة والتي يمكن أن تزول بسهولة.

2.3 الإدخال، إجراء الاستبدال التقدمي باستخدام أسلوب الإفراط

(الشكل 10-7)

تنبيه: يجب وضع Provox Vega XtraSeal ذات الشفة المرئيتية المكبرة باستخدام أسلوب الإفراط لضمان دخول الشفة المرئيتية الإضافية المكبرة والشفة المرئيتية داخل التجويف المرئتي. يعني التجاوز أن جهاز الصوت يتم تركيبه داخل المرئ ثم يسحب إلى الوضع المطلوب.

1. **إزالة أداة الطبي (اختياري)**
بعد دفع العضو الاصطناعي إلى داخل أنبوب التحميل، قم بإزالة أداة الطبي عبر تحريرها وفصلها من أنبوب التحميل (شكل 7).
2. **دخول الفغرة الرغامية**
قم بإمسك نظام الإدخال Provox Insertion System بواسطة أنبوب التحميل. أدخل الثقب بواسطة طرف أنبوب التحميل. تابع بحذر إذا واجهت مقاومة. إذا كانت هناك مقاومة، فإن التوسيع أو التزيت أو كليهما يمكن أن يسهلا من الإدخال.
3. **إدخال الأعضاء الصوتية الاصطناعية**
قم بإمسك أنبوب التحميل بيد واحدة بحيث يكون ثابتًا وادفع دبوس الإدخال باليد الأخرى إلى ما بعد سطح الإمساك القريب (شكل 8). عند هذه النقطة تكون الأعضاء الصوتية الاصطناعية قد دخلت بالكامل في المريء، (شكل 9).
4. إذا تم تنفيذ إجراء الإدخال بأسلوب الإفراط مع إبقاء أداة الطبي مجمعة، فادفع دبوس الإدخال إلى ما بعد سطح الإمساك البعيد، (شكل 10). عند هذه النقطة تكون الأعضاء الصوتية الاصطناعية قد دخلت بالكامل في المريء، (شكل 9).
4. **تحرير الأعضاء الصوتية الاصطناعية**
اسحب أنبوب التحميل بشكل مستقيم خارجًا من الثقب. يظل العضو الاصطناعي في المريء، ويظل مثبتًا بشكل محكم في دبوس الإدخال. قم بإمسك شفة الرغامي بالملقاط غير المسنن القاطع للنفذ واسحب/قم بتدوير الأعضاء الصوتية الاصطناعية حتى تستقر في مكانها.
5. تنفيذ الخطوات النهائية للإجراء

2.4 تجميع نظام الإدخال Provox Insertion System وإعادة تحميله

إذا باءت المحاولة الأولى لإدخال Provox Vega XtraSeal في الفغرة الرغامية بالفشل، فمن الممكن إعادة تحميل الأعضاء الصوتية الاصطناعية في نظام الإدخال Provox Insertion System.

وضع الأعضاء الصوتية الاصطناعية

1. قم بتركيب الأعضاء الصوتية الاصطناعية مع توجيه جانب الرغامي لأسفل أعلى دبوس الإدخال.
2. قم بتوصيل حزام الأمان عبر توجيهه من خلال فتحة التثبيت من أحد الجانبين.
3. تأكد من أن العضو الصوتي الاصطناعي موضوع بطريقة صحيحة على دبوس الإدخال المثبت بشكل محكم وذلك أثناء وضع طرف الدبوس في الحلقة الزرقاء للعضو للصوتي الاصطناعي حتى نهايتها (الشكل 3). قم بتوصيل أداة الطبي.
4. قم بتوجيه دبوس الإدخال عبر الفتحة الموجودة في أداة الطبي إلى أن تستقر في مكانها مصدرًا صوت طقطقة. اسحب الدبوس إلى أن يستقر في أداة الطبي مطلقًا صوتًا. (الشكل 11). الآن أصبح نظام الإدخال Provox Insertion System جاهزًا للتحميل. تابع عملية التحضير على النحو الوارد وصفة أعلاه في القسم 2.2.

تنبيه: لا تقم بتنفيذ التحميل لأكثر من مرتين. إذا بدت على الأعضاء الصوتية الاصطناعية Provox Vega أي إشارات على كونها تالفة، فلا تستعملها. بعد الإدخال قم بتنفيذ الخطوات النهائية للإجراء على النحو المبين أدناه في القسم 2.5

Provox Vega XtraSeal

1. معلومات وصفية

1.1 الاستخدام المحدد

أعضاء Provox Vega الصوتية الاصطناعية عبارة عن أعضاء صوتية اصطناعية معقمة مستقرة أحادية الاستخدام، مخصصة لإعادة التأهيل الصوتي بعد الإزالة الجراحية للحنجرة (استئصال الحنجرة). يقوم المريض بتنظيف الأعضاء الصوتية الاصطناعية أثناء وجودها في مكانها.

نظام الإدخال Provox Insertion System هو عبارة عن جهاز معقّم للاستعمال لمرة واحدة والغرض منه هو استخدامه في الاستبدال التدمي للأعضاء الصوتية الاصطناعية طراز Provox Vega. يتم تنفيذ إجراء الاستبدال هذا بواسطة طبيب أو أخصائي طبي مدرب بما يتوافق مع التوجيهات المحلية أو الوطنية.

ليس من المفترض استخدام نظام الإدخال Provox Insertion System في إدخال الأعضاء الصوتية الاصطناعية في ثقب تم إنشاؤه حديثاً.

1.2 وصف الجهاز عام

يحتوي نظام Provox Vega على صمام أحادي الاتجاه يحافظ على فتح الفجوة الرغامية للتمكن من الكلام، في حين يقلل من خطر دخول السوائل والطعام إلى الرغامي. إن أعضاء Provox Vega الصوتية الاصطناعية ليست عضوًا مزروعًا بشكل دائم، ولا بد من استبدالها بشكل دوري. يتوفر جهاز الصوت (الشكل 1) بأقطار مختلفة وبعده أطوال. يتميز Provox Vega XtraSeal بشفير مرئني مكبر تكبيراً إضافياً الغرض منه حل مشاكل الترسيب حول جهاز الصوت. هذا الجهاز مصنوع من مطاط السليكون من الفئة الطبية والبلاستيك الفلوروري.

عبوة Provox Vega XtraSeal

تضم عبوة Provox Vega XtraSeal المواد التالية:

- أعضاء صوتية اصطناعية Provox Vega XtraSeal معقمة ومجمّعة مسبقاً في نظام إدخال مصمم للاستخدام لمرة واحدة (شكل 2)
- فرشاة Provox Brush واحدة ذات مقياس متوافق مع الأعضاء الصوتية الاصطناعية، وتكون غير معقمة
- دليل الطبيب لاستخدام Provox Vega XtraSeal
- دليل المريض لاستخدام Provox Vega
- تعليمات استخدام فرشاة Provox Brush

1.3 موانع الاستعمال

ليس هناك موانع معروفة لاستعمال أو استبدال جهاز الصوت الاصطناعي Provox Vega في المرضى الذين يخضعون لإعادة التأهيل الصوتي باستخدام جهاز الصوت الإصطناعي.

1.4 التحذيرات

- قد تحدث إزاحة أو لفظ للأعضاء الصوتية الاصطناعية Provox Vega من الفجوة الرغامية وبالتالي قد يحدث شطف أو ابتلاع لها أو ضرر في الأنسجة. فقد يتسبب وجود جسم غريب في المجرى الهوائي في مضاعفات حادة، مثل الضائقة التنفسية الحادة أو توقف التنفس أو كليهما.
- حدد الحجم المناسب للعضو الاصطناعي. يمكن أن يتسبب التثبيت الضيق في حدوث نخر وثقب في الأنسجة.
- وجه المريض لاستشارة طبيب فوراً في حال كانت هناك أي علامات على استسقاء أو التهاب/إصابة أو كليهما في الأنسجة.
- وجه المريض إلى استشارة طبيب في حالة وجود تسرب عبر الأعضاء الصوتية الاصطناعية أو حولها. قد يتسبب الترسيب في حدوث التهاب رئوي شفتي.
- في حالة استخدام أنابيب استئصال الحنجرة أو مفتاح الثغير، اختر منها ذات الشكل المناسب التي لا تضغط على الأعضاء الاصطناعية، أو تعلق بشفة الرغامي للأعضاء الاصطناعية خلال إدخال أنبوب استئصال الحنجرة أو مفتاح الثغير وإزالتها. قد يؤدي هذا إلى أضرار نسيجية حادة أو ابتلاع عرضي للعضو الاصطناعي أو كليهما.
- وجه المريض إلى عدم استخدام سوي ملحقات Provox الأصلية من الحجم المتوافق (مثل الفرشاة Brush، والغسل Flush، والسدادة Plug) لإجراء الصيانة وتفاذي كل أنواع المعالجة الأخرى.
- قد تؤدي إعادة الاستخدام أو إعادة المعالجة إلى انتقال العدوى وإتلاف الجهاز، الأمر الذي قد يلحق الأذى بالمريض.

1.5 الاحتياطات

- قيم بعناية أي مريض يعاني من اختلالات زرفية أو يخضع لعلاج التخثر من حيث خطر النزف أو التزيف قبل تثبيت العضو الاصطناعي أو استبداله.
- افحص العبوة قبل الاستخدام. إذا كانت العبوة متضررة أو مفتوحة، فلا تستخدم المنتج.
- استخدم أسلوبيًا يحتوي على التعقيم دائماً عند مناولة العضو الاصطناعي لتقليل خطر الإصابة بعدوى.



Manufacturer; Hersteller; Fabrikant; Fabricant; Produttore; Fabricante; Fabricante; Tillverkare; Producent; Prodsent; Valmistaja; Framleiðandi; Tootja; Ražotājs; Gamintojas; Výrobce; Gyártó; Výrobca; Proizvajalec; Producent; Producător; Proizvodač; Proizvodač; Κατασκευαστής; Производител; Üretici; Թբարձրողը; Արտադրող; Իstehsalçı; Производитель; Produzen; Pengilang; 製造業者; 제조사; 製造商; 制造商; 製造商; Nhà sản xuất; արտադրող; արտադրող



Date of manufacture; Herstellungsdatum; Productiedatum; Date de fabrication; Data di fabbricazione; Fecha de fabricación; Data de fabrico; Tillverkningsdatum; Fremstillingsdato; Produktionsdato; Valmistuspäivä; Framleiðsludagsetning; Valmistamise kuupäev; Ražošanas datums; Pagaminimo data; Datum výroby; Gyártás időpontja; Datum výroby; Datum proizvodnje; Data produkcji; Data fabricației; Datum proizvodnje; Datum proizvodnje; Ημερομηνία κατασκευής; Дата на производство; Üretim tarihi; Թբարձրման օրը; Արտադրման ամսաթիվ; Իstehsal tarixi; Дата изготовления; Tanggal produksi; Tarikh pembuatan; 製造日; 제조일자; 製造日期; 製造日期; 5077 708; Ngày sản xuất; արտադրման ամսաթիվ; تاریخ تولید; تاریخ التصنيع



Use-by date; Verfallsdatum; Houdbaarheidsdatum; Date limite d'utilisation; Data di scadenza; Fecha de caducidad; Data de validade; Används senast; Anvendes inden; Brukes innen; Viimeinen käyttöpäivä; Siðasti notkunardagur; Kölblík kuni; Derīguma termiņš; Naudoti iki; Datum expirace; Felhasználhatóság dátuma; Dátum najneskoršej spotreby; Rok uporabnosti; Data ważności; Data expirării; Rok uporabe; Rok upotrebe; Ημερομηνία λήξης; Срок на годност; Son kullanım tarihi; ջարձրօծօ; Պիտանելիության ժամկետ; Son istifadə tarixi; Срок годности; Gunakan sebelum tanggal; Tarikh guna sebelum; 使用期限; 사용 기한; 使用截止日期; 使用截止日期; 5077 708; Hạn sử dụng; արտադրման ամսաթիվ; تاریخ انقضا; تاریخ انتهاء الصلاحية

LOT

Batch code; Chargencode; Partijnummer; Code de lot; Codice lotto; Código de lote; Código do lote; Batchkod; Batchkode; Batchcode; Eränumero; Lotunúmer; Partii kood; Partijas kods; Partijos kodas; Kód šarže; Sarzs kód; Kód šarže; Številka serije; Kod partii; Codul lotului; Šifra serije; Šifra serije; Κωδικός партиδας; Код на партида; Parti kodu; Երթուծտ շրջօ; Խմբարտանակի կոդ; Partiya kodu; Код партии; Kode batch; Kod kelompok; パッチコード; 배치 코드; 批次代碼; 批号; sKαιαυθ; Mã lô; 708 708; արտադրման ամսաթիվ; արտադրման ամսաթիվ

REF

Product reference number; Produktreferenznummer; Referentienummer product; Numéro de référence du produit; Numero riferimento prodotto; Número de referencia del producto; Referência do produto; Referensnummer; Produktreferenznummer; Produktreferansnummer; Artikkelinúmero; Tilvisunarnúmer vöru; Toote viitenumber; Produkta atsauces numurs; Gaminio katalogo numeris; Referenční číslo produktu; Termék referenciaszáma; Referenčné číslo produktu; Referenčna številka izdelka; Numer katalogowy produktu; Numărul de referință al produsului; Referentni broj proizvoda; Referentni broj proizvoda; Αριθμός αναφοράς προϊόντος; Референтный номер на продукт; Ürün referans numarası; Յրօդօղօցիօն Նաքօնտրօղօ Նօմօրօ; Արտադրանքի տեղեկատու համարը; Məhsula istinad nömrəsi; Справочный номер изделия; Nomor referensi produk; Nombor rujukan produk; 製品参照番号; 제품 참조 번호; 產品參考號; 產品參考編號; արտադրման ամսաթիվ; Số tham chiếu sản phẩm; 708 708; արտադրման ամսաթիվ; արտադրման ամսաթիվ



Do not re-use; Nur zum Einmalgebrauch; Niet hergebruiken; Ne pas réutiliser; Non riutilizzare; No reutilizar; Não reutilizar; Återanvänd ej; Má ikke genanvendes; Skäl ikke gjenbrukes; Ei uudelleenkäytettävä; Má ekki endurnýta; Mitte taaskasutada; Neizmantot atkārtoti; Pakartotina nenaudoti; Nepoužívejte opakovaně; Ne használja fel újra; Nepoužívajte opakovane; Ne uporabljajte ponovno; Nie używać ponownie; A nu se reutiliza; Nemojte ponovno upotrebljavati; Ne koristiti ponovo; Μην επαναχρησιμοποιείτε; He izpolzvajite povtorno; Tekrar kullanmayın; Գծմօղօցօն Եղօդօնօ; Մեկանգամիկ օգտագործման համար; Yeniden istifadə etməyin; He podlejite povornomu ispolzovaniju; Jangan gunakan ulang; Jangan guna semula; 再利用不可; 재사용하지 마십시오; 請勿重複使用; 請勿重複使用; 708 708; արտադրման ամսաթիվ; արտադրման ամսաթիվ

STERILE EO

Sterilized using ethylene oxide; Mit Ethylenoxid sterilisiert; Gesteriliseerd met ethylenoxide; Stérilisé à l'oxyde d'éthylène; Sterilizzato con ossido di etilene; Esterilizado con óxido de etileno; Esterilizado com óxido de etileno; Steriliserad med etylenoxid; Steriliseret med ethylenoxid; Steriliseret ved hjælp av etylenoksid; Steriloitu eteenioksidilla; Dauðhreinsað með etýlenoxíði; Etilénoksiidiga steriliseritud; Sterilizēts, izmantojot etilēna oksīdu; Sterilizuota etileno oksidu; Sterilizováno pomocí

oldugunu gosterir; მიუთითებს იმაზე, რომ პროდუქტი შეესაბამება სამედიცინო მოწყობილობების ევროპულ კანონმდებლობას; ኢጅሙላቲብ ቲ, ስፕ ህህዳህህህህህህህህህህ ቲ ፖፊካኒኒ ህህፀፀኒክ ፔፓስህህህህህህ ስፕስህህህህህህህህህ; Məhsulun tibbi cihazlarla bağlı Avropa qanunlarına cavab verdiyini göstərir; Указывает на соответствие изделия европейскому законодательству по медицинским изделиям; Menunjukkan bahwa produk ini mematuhi undang-undang Eropa untuk perangkat medis; Menunjukkan bahawa produk tersebut mematuhi perundangan Eropah untuk peranti perubatan; 製品が欧州の医療機器に関する法令に適合していることを示します; 제품이 의료 기기에 대한 유럽 법률을 준수함을 나타냅니다; 表示產品符合歐洲醫療器材法規; 表示本产品符合欧洲医疗器械法规; สังเกตเห็นว่าเป็นไปตามกฎหมายของสหภาพยุโรปสำหรับเครื่องมือแพทย์; Biểu thị sản phẩm tuân thủ luật pháp châu Âu về thiết bị y tế;

מצייין כי המוצר תואם את תקנות האיחוד האירופי למכשור רפואי; يشير إلى أن المنتج متوافق مع التشريعات الأوروبية الخاصة بالأجهزة الطبية; نشان می‌دهد که محصول مطابق با قوانین اروپا برای تجهیزات پزشکی است.



Triman symbol and Infotri for France; Triman-Logo und Infotri für Frankreich; Triman- en Info-tri-symbool voor Frankrijk; Signalétique Triman et info-tri pour la France; Logo Triman e Infotri per la Francia; Simbolo Triman e Infotri para Francia; Símbolo Triman e Infotri para a França; Triman-symbol och Infotri för Frankrike; Triman-symbol og Infotri for Frankrig; Triman-symbol og Info-Tri for Frankrike; Triman-symboli ja Infotri-ohjeet Ranskaa varten; Triman tákn og Infotri fyrir Frakkland; Trimani sümbol ja Infotri Prantsusmaal; Triman simbols un Infotri Francijai; Prancūzijai skirtas „Triman“ simbolis ir „Infotri“; Symbol Triman a Infotri pro Francii; Triman szimbólum és Infotri Franciaország esetében; Symbol Triman a Infotri pre Francúzsko; Symbol Triman in Infotri za Francijo; Symbol Triman i Infotri dla Francji; Symbolul Triman și Infotri pentru Franța; Simbol Triman i oznaka Infotri za Francusku; Simboli Triman i Infotri za Francusku; Σύμβολο Triman και Infotri για τη Γαλλία; Символ Triman и Infotri за Франция; Fransa için Triman sembolü ve Infotri; ტრიმანის სიმბოლო და ინფორმაციის დახარისხებდა საფრანგეთისთვის; Triman სიმბოლოა და Infotri უჩვენებს ფრანგული ხაზი; Triman simbolu ve Fransa için Infotri; Символ Triman и Infotri для Франции; Simbol Triman dan Infotri untuk Prancis; Simbol Triman dan Infotri untuk Perancis; フランスのTriman記号とInfotri; 프랑스용 Triman 기호 및 Infotri; 法國 Triman 標誌和分類中心; 法国 Triman 标志和分类信息; สัญลักษณ์ Triman และ Infotri สำหรับฝรั่งเศส; Biểu tượng Triman và Infotri dành cho Pháp; זרם Infotri ו Triman לִאֲרֶנְסָא; نماد Triman و Infotri برای فرانسه

XXXXX, NN
YYYY-MM-DD

XXXXX, NN = Reference number, Version number; Referenznummer, Versionsnummer; referentienummer, versienummer; Numéro de référence, numéro de version; Numero di riferimento, numero di versione; Número de referencia Número de versión; Número de referência, Número da versão; Referensnummer, Versionsnummer; Referencenummer, versionsnummer; Referansnummer, Versionsnummer; viitenumber, versionnumero; Tilvisunamüner, Útgáfunúmer; viitenumber, versioninumber; atsauces numurs, versijas numurs; nuorodos numeris, versijos numeris; referenční číslo, Číslo verze; hivatkozási szám, verziószám; referenčné číslo, číslo verzie; Referenčna številka, Številka različice; Numer katalogowy, Numer wersji; Numărul de referință, numărul versiunii; referentni broj, broj verzije; referentni broj, broj verzije; referentni broj, broj verzije; Αριθμός αναφοράς, Αριθμός έκδοσης; Референтен номер, Номер на версията; Referans numarasi, Sürtüm numarasi; სამედიცინო მოწყობილობის მოწყობის; Հղման համարը, Տարբերակի համարը; İstinad nömrəsi, Versiya nömrəsi; справочный номер, номер версии; Nomor referensi, Nomor versi; Nombor rujukan, Nombor versi; 参照番号、バージョン番号; 참조 번호, 버전 번호; 参考編號, 版本號碼; 参考编号, 版本号; หมายเลขอ้างอิง; Số tham chiểu; מספר סימוך, מספר גרסה; شماره مرجع, شماره نسخه; الرقم المرجعي, رقم الإصدار

YYYY-MM-DD = Date of issue; Ausstellungsdatum; datum van uitgifte; Date d'émission; Data di emissione; Fecha de expedición; Data de emissão; Utfärdandedatum; Udstedelsesdato; Utgivelsesdato; julkaisupäivä; Utgåfudagur; väljaandmise kuupäev; izdošanas datums; leidimo data; Datum vydání; a kiadás dátuma; dátum vydania; Datum izdaje; Data wydania; Data emiterii; Datum izdavanja; datum izdavanja; datum izdavanja; Ημερομηνία έκδοσης; Дата на издаване; Verilme tarihi; გამოქვეყნების თარიღი; ἡμερομηνία ἄμσησης; Βυγαίωμα τᾱριξί; дата выпуска; Tanggal penerbitan; Tarikh dikeluarkan; 発行日; 발행일; 發行日期; 发布日期; วันออออกเอกสาร; Ngày cấp;

تاریخ صدور; تاریخ الإصدار; תאריך הנפקה

THIS PAGE IS DELIBERATELY LEFT EMPTY



11088, 04
2025-12-03

Atos
atosmedical.com



Atos Medical AB
Kraftgatan 8, SE-242 35 Hörby, Sweden
Tel: +46 (0)415 198 00 • info@atosmedical.com

Atos and the Atos logo are trademarks of Coloplast A/S.
© 2025 Coloplast A/S. All rights reserved.