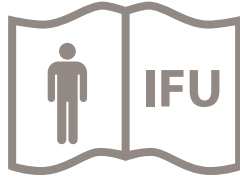


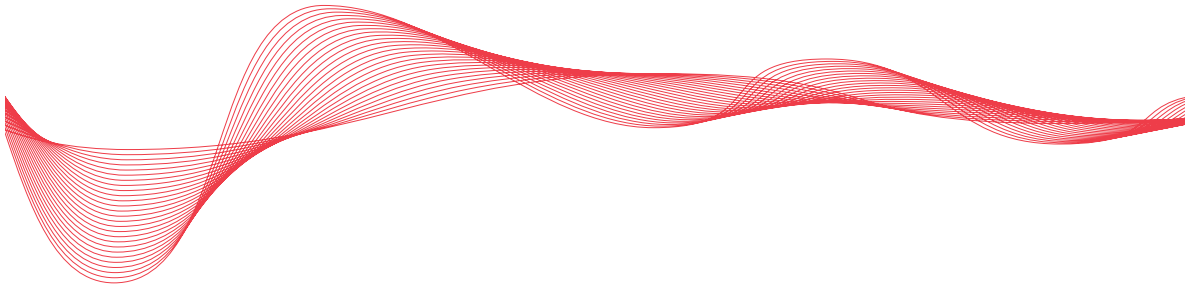
PROVOX ActiValve



Provox Brush

Provox Plug

Provox ActiValve Lubricant



Rx ONLY



CE 0413



42°C
108°F
RT
2°C
36°F

Prescriber Information

CAUTION: United States Federal law restricts this device to sale, distribution and use by or on order of a physician or a licensed practitioner. The availability of this product without prescription outside the United States may vary from country to country.

Disclaimer

Atos Medical offers no warranty - neither expressed nor implied - to the purchaser hereunder as to the lifetime of the product delivered, which may vary with individual use and biological conditions. Furthermore, Atos Medical offers no warranty of merchantability or fitness of the product for any particular purpose.

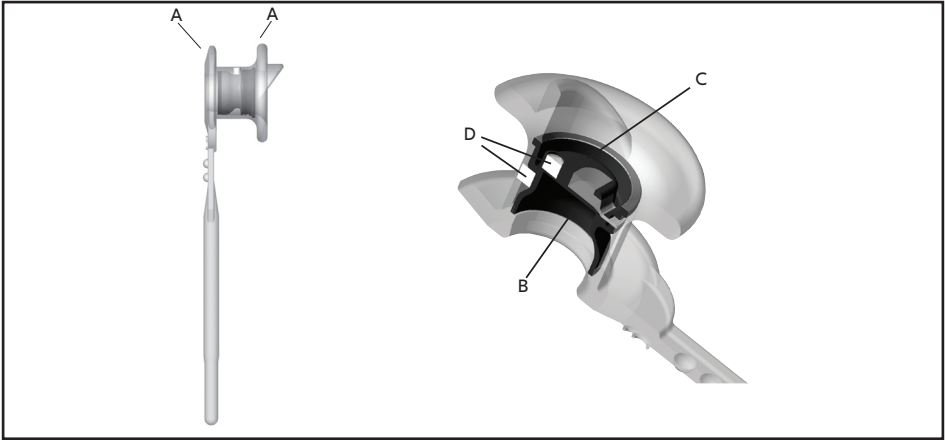


Figure 1

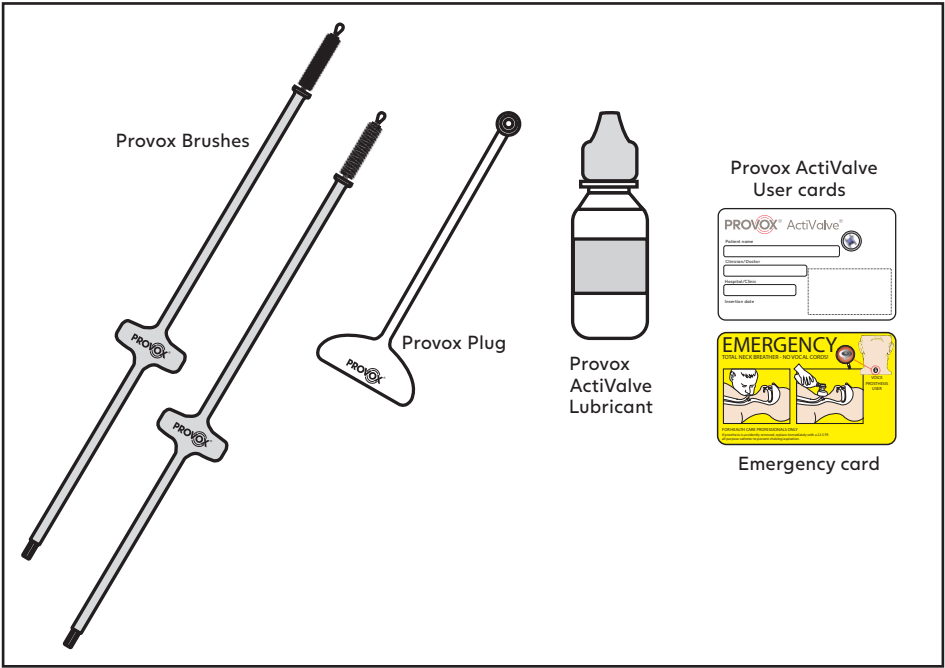


Figure 2

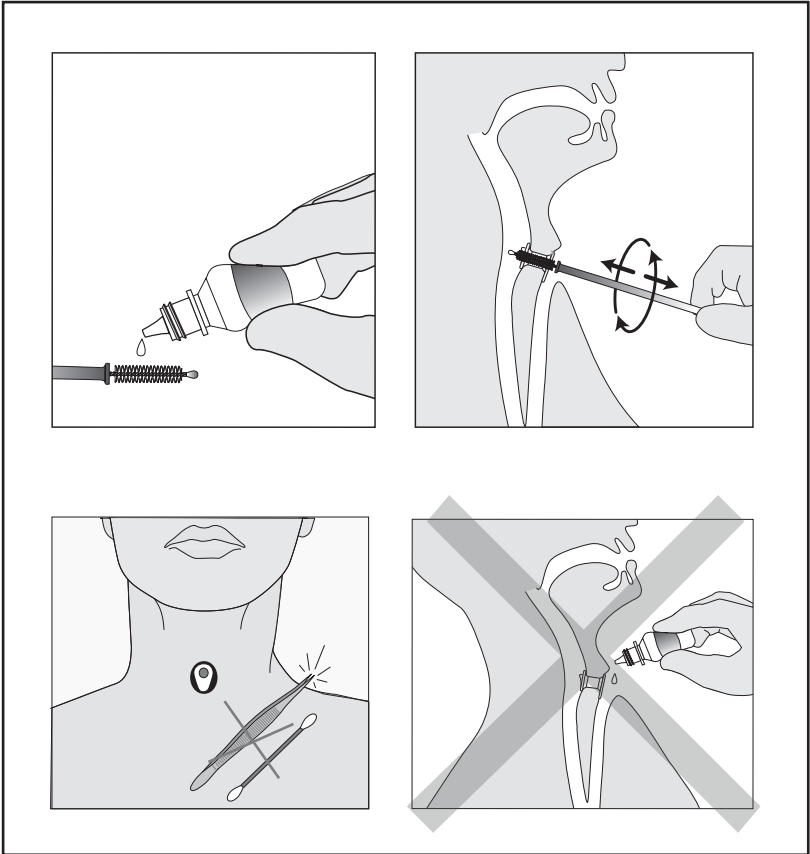


Figure 3

Contents

EN - ENGLISH.....	6
DE - DEUTSCH.....	10
NL - NEDERLANDS.....	14
FR - FRANÇAIS.....	18
IT - ITALIANO.....	22
ES - ESPAÑOL.....	26
PT - PORTUGUÊS.....	30
SV - SVENSKA.....	24
DA - DANSK.....	38
NO - NORSK.....	42
FI - SUOMI.....	46
IS - ÍSLENSKA.....	50
HU - MAGYAR.....	54
PL - POLSKI.....	58
HR - HRVATSKI.....	62
EL - ΕΛΛΗΝΙΚΑ.....	66
TR - TÜRKÇE.....	70
RU - РУССКИЙ.....	74
JA - 日本語.....	78
KO - 한국어.....	82
ZHTW - 繁體中文.....	86
AR - العربية.....	92

Contents Accessories

PROVOX BRUSH.....	93
PROVOX PLUG.....	115
PROVOX ACTIVALVE LUBRICANT.....	139

Provox ActiValve Voice Rehabilitation System

Stomal airway management

Emergency situations

It is important that emergency personnel knows that you are a neck breather. This will help them determining that oxygen and rescue breathing need to be administered to your stoma and not to your mouth or nose.

We recommend that you and your clinician download the guidelines for rescue breathing from

www.atosmedical.com/rescuebreathing

In the package of your Provox ActiValve you will find a bright yellow Emergency card and Provox ActiValve User Card. We recommend that you keep both the Emergency Card and Provox ActiValve User Card with you at all times.

Elective situations

If you need to undergo a procedure that requires intubation (putting a breathing tube in your windpipe), it is very important that the anesthesiologist and the doctor who is performing the procedure are aware that you are a neck breather and that you are using a voice prosthesis. It is important for them to understand that the voice prosthesis should stay in place. If it is removed, fluids from your mouth, food pipe, or stomach may get into your windpipe.

It is very important that the intubation tube is inserted and removed carefully so that the voice prosthesis does not dislodge or come out.

1. Glossary

Clinician - Medical professional or properly licensed speech and language therapist / pathologist or clinical specialist nurse who is trained in voice rehabilitation procedures.

HME - Heat and Moisture Exchanger. Device that retains the heat and moisture of exhaled air, which is returned to the air when you breathe in.

PE-Segment - Pharyngo-esophageal segment. The part of the food pipe where sound is created by vibration of tissue when using a voice prosthesis.

TE-puncture – Tracheoesophageal puncture. Small artificial opening created between the wind pipe and the food pipe in which the voice prosthesis is placed.

Tracheostoma - Breathing opening in the front of the neck, where the windpipe is connected to the skin (also called 'stoma').

Voice prosthesis - A one-way valve that is inserted into the TE puncture. The valve has a flange on either side that allows the valve to stay in place. Air can be redirected through the valve to the food pipe for speaking, while reducing the risk of food and liquids entering the wind pipe.

2. Descriptive information

2.1 Indications for use

Provox ActiValve is an unsterile indwelling voice prosthesis intended for antegrade insertion in a healed puncture for voice rehabilitation after total laryngectomy. The device is intended for patients who are experiencing early leakage with previous voice prostheses (device life less than 4-8 weeks). The device reduces the need for frequent replacements in a majority of users, but not in all.

2.2 CONTRAINDICATIONS

Provox ActiValve is NOT intended:

- for insertion in a freshly made puncture,
- to be in place during MRI-examination (Magnetic Resonance Imaging), or during Radiation Therapy.

2.3 Description of the device

Provox ActiValve Voice Prosthesis [Fig. 1] is an unsterile single use one-way valve that keeps a TE-puncture open for speech, while reducing the risk of fluids and food entering the windpipe. It has two retention flanges [A] and a blue ring [B] that adds stability and an even sealing surface for the valve flap [C]. The prosthesis is not a permanent implant and needs periodic replacement.

The device is made of medical grade silicone rubber and radio-opaque fluoroplastic. No part of the device is manufactured with natural rubber latex. The outer diameter is 7.5 mm (22.5Fr). Provox ActiValve is available in lengths 4.5, 6, 8, 10, and 12.5 mm and comes in different opening forces of the valve. The magnets [D] in the ring and valve flap determine the opening force (the magnets are not adjustable). Since the opening forces are not apparent upon simple visual inspection the device comes with Provox ActiValve User Cards that also provide important information about the voice prosthesis. If you have lost the user cards contact your clinician who can arrange for a replacement.

The following items in the package are intended for patient use and should be handed over to you by your clinician:

- 2 Provox Brushes,
- 1 Provox Plug,
- 1 Provox ActiValve Lubricant,
- 1 Emergency Card.
- 2 Provox ActiValve User Cards.

2.4 WARNINGS

Accidental swallowing of Provox ActiValve voice prosthesis may occur. If this occurs, contact your physician who will advise you further.

Accidental aspiration (i.e. the device falls into the windpipe) of Provox ActiValve voice prosthesis or other components of the Provox ActiValve voice rehabilitation system may occur. Immediate symptoms may include coughing, choking or wheezing. If this occurs seek immediate medical treatment. A foreign body in your airways may cause severe complications and has to be removed by a clinician.

Caution: You may aspirate or swallow the device without having immediate symptoms, or only mild coughing. If the device is not visible in the puncture contact the clinician immediately whether you have severe, mild, or no symptoms.

Re-use and re-processing may cause cross- contamination and damage to the device, which could cause patient harm.

Do not modify Provox ActiValve voice prosthesis or any of its accessories. This may increase the risk of aspiration or ingestion of the device.

2.5 PRECAUTIONS

Consult your clinician if:

- There is leakage through or around the prosthesis (coughing and/or change of mucus color).
- Speaking becomes difficult (higher effort and/or voice sounds more strained).
- There are signs of inflammation or tissue changes at the puncture region (pain, heat, swelling, traces of blood on the brush after brushing).
- You see changes in the appearance of the material of the voice prosthesis or the way it fits in the puncture.
- You frequently suffer from coughing during drinking, and cleaning the voice prosthesis does not resolve it. This may be an early sign of leakage through or around the voice prosthesis.
- You have bleeding or overgrowth of tissue around the device.
- You have persistent pain or discomfort in the region of Provox ActiValve.
- You experience chronic cough, trouble breathing, or blood in the mucus. These can be signs of a serious health condition that requires medical attention.

To reduce infection risk:

Make sure that your hands are thoroughly cleaned and dry before placing your hands in the area of your tracheostoma, and before cleaning your voice prosthesis and/or accessories.

Keep all devices clean that may enter or make any contact with your tracheostoma and voice prosthesis.

To reduce risk of product damage:

Only use genuine Provox accessories that are intended for use with Provox ActiValve for the handling and cleaning of your prosthesis. **Other devices may cause personal injury or damage to the voice prosthesis.**

Clean and lubricate the voice prosthesis as directed to help maintaining its functionality.

Only use Provox ActiValve Lubricant for lubrication of Provox ActiValve voice prosthesis. Other lubricants may damage the voice prosthesis.

To reduce risk of injury:

Always inform medical personnel about your Provox ActiValve and show them your Provox ActiValve User Card before undergoing any kind of medical treatment or examination. Also see section Contraindications.

Keep Provox ActiValve Lubricant and other accessories out of reach of children and pets that may be harmed by inhaling or swallowing them.
Do not try to change Provox ActiValve at home or by yourself. The device should only be removed and replaced by a healthcare professional.

3. Instructions for use

3.1 How to use Provox ActiValve for speaking

Some people have negative pressure in the pharynx/ esophagus during swallowing or inhalation. This can cause the valve to open unintentionally. The magnets in the valve increase the initial pressure needed to open the valve. Thereby unintentional opening is prevented.

As a consequence, you may feel that you need more force to begin speaking. Once the initial magnetic resistance is overcome Provox ActiValve is similar to using any other Provox voice prosthesis to speak.

3.2 Cleaning and Maintenance

In order for you to speak with your voice prosthesis, it must be clean so that air can pass through it. Regular cleaning of the prosthesis also helps to prolong device life.

Brush the prosthesis with Provox Brush twice a day and after each meal to remove mucus and food remnants from the prosthesis. Flushing the prosthesis with Provox Flush also helps to clean the device.

Once a day, after cleaning in the morning, also lubricate the inner lumen of the voice prosthesis with one drop of Provox ActiValve Lubricant using a Provox Brush. Before use, read the Instructions for Use that accompanies Provox ActiValve Lubricant.

Caution:

- Do not apply Provox ActiValve Lubricant directly from the bottle to the voice prosthesis, since this could deposit the liquid in the lungs [Fig. 2]. This or overuse of the lubricant in quantity or frequency can result in severe coughing, pneumonia or serious breathing problems.
- Do not enlarge the bottle opening of Provox ActiValve Lubricant.

3.3 Device lifetime

Depending on individual biological circumstances the device life varies, and it is not possible to predict the structural integrity of the device over a longer period of time. The material of the device will be affected by e.g. bacteria and yeast, and the structural integrity of the device will eventually deteriorate.

Adding certain food items such as buttermilk, probiotics and caffeinated soft drinks may reduce the occurrence of bacteria and yeasts on the voice prosthesis. A well- balanced diet is important, please discuss with your clinician if changes in your diet are recommended.

3.4 Accessories

Provox Brush / Provox Brush XL is used to clean the inside of the prosthesis or apply Provox ActiValve Lubricant.

Provox Flush is an additional cleaning device that allows flushing of the prosthesis.

Provox Plug is a First Aid tool that temporarily blocks leakage through the prosthesis.

Provox ActiValve Lubricant serves as lubricant for the valve surface inside Provox ActiValve.

3.5 Disposal

Always follow medical practice and national requirements regarding biohazard when disposing of a used medical device.

4. Adverse events/ Trouble shooting by symptom

Indications for replacement of Provox ActiValve voice prosthesis include leakage through the valve, blockage of the prosthesis, bacterial and candidal overgrowth leading to degradation of the materials and /or excessive pressure needed to obtain speech. Other reasons for replacement include medical indications such as problems with the puncture tract.

It is the responsibility of your clinician to inform you about risks and benefits of prosthetic voice rehabilitation and to instruct you what to do in case you may encounter adverse events. If you are not sure that you have completely understood all instructions, ask your clinician for further explanation.

Symptom: Coughing (triggered by drinking or eating) while the prosthesis is in place.

Most common reasons: Leakage through or around the prosthesis.

Measures:

1. Clean the prosthesis with Provox Brush and if possible also with Provox Flush. There may be food remnants preventing the valve from proper closure.

If leakage continues:

2. Observe the prosthesis while drinking. Try to identify if it leaks through the center or around the prosthesis.

- a) If you think it leaks through the center you can use Provox Vega Plug while you are eating and drinking to prevent leakage. Notify your clinician that you need a new prosthesis.
- b) If you think it leaks around, or if the Plug does not stop the leakage, notify your clinician that you may have leakage around your prosthesis.

Symptom: Speaking is sometimes not possible (valve does not open).

Probable cause: The valve lid sticks to the valve seat, preventing the valve from opening. This becomes more likely the longer the valve has not been in use (e.g. overnight).

Measures: Clean the voice prosthesis and lubricate it (see section Cleaning and Maintenance). If cleaning and lubricating does not help: Contact your clinician.

Symptom: Speaking becomes more and more difficult.

Most common reasons: Valve obstruction, tissue swelling in the throat (e.g. during radiotherapy).

Measures:

1. Clean the prosthesis with Provox Brush and/or Flush. There may be food remnants increasing the airflow resistance.
2. If that does not help: Contact your clinician immediately.

Symptoms: Pain, heat, swelling, and rash (together or alone) in the area of the prosthesis or stoma.

Most common reasons: Tissue inflammation and infections.

Measures: Contact your clinician immediately.

Symptoms: Traces of blood are seen on the brush after brushing.

Most common reasons: Tissue inflammation and infections at the esophageal side.

Measures: Contact your clinician immediately.

5. Additional information

5.1 Air travel

This device contains 2 magnets; size 1-1.5 mm, weight 0.15 – 0.2 gram. The magnets are unlikely to set off metal detectors such as those used in airports but in order to avoid incidents it could be advisable to inform the security personnel in advance of your voice prosthesis and show them your Provox ActiValve User Card.

5.2 Date of printing and user assistance information

The version number of this Instruction for use and manufacturer contact information is located on the back cover.

6. Reporting

Please note that any serious incident that has occurred in relation to the device shall be reported to the manufacturer and the national authority of the country in which the user and/or patient resides.

Provox ActiValve Stimmrehabilitationssystem

Wichtige Informationen für Patienten mit Tracheostoma

Notfallsituationen

Es ist wichtig, dass Ersthelfer im Notfall erkennen, dass Sie über ein Tracheostoma atmen. Dies ist die Voraussetzung für die Entscheidung, dass eine Sauerstoffzufuhr und künstliche Beatmung nicht über Mund und Nase, sondern über Ihr Tracheostoma erfolgen muss.

Wir empfehlen Ihnen und Ihrem Arzt, sich den Leitfaden für die Notfallbeatmung unter folgender URL herunterzuladen: www.atosmedical.com/rescuebreathing

In der Verpackung Ihrer Provox ActiValve Stimmprothese sind ein gelber Notfallausweis und eine Provox ActiValve-Benutzerkarte enthalten.

Wir empfehlen, sowohl den Notfallausweis als auch die Provox ActiValve-Benutzerkarte stets bei sich zu tragen.

Besondere Situationen

Wenn Sie sich einer Operation unterziehen müssen, bei der eine Intubation (Einführen eines Beatmungsschlauchs oder -rohrs in Ihre Luftröhre) erforderlich ist, müssen der Anästhesist und der operierende Arzt wissen, dass Sie über ein Tracheostoma atmen und eine Stimmprothese tragen. Es ist wichtig, dass ihnen bewusst ist, dass die Stimmprothese nicht entfernt werden sollte. Wenn die Stimmprothese entfernt wird, können Flüssigkeiten aus Ihrem Mund, Ihrer Speiseröhre oder Ihrem Magen in die Luftröhre gelangen.

Es ist sehr wichtig, dass der Intubationstubus vorsichtig eingeführt und entfernt wird, damit die Stimmprothese nicht verschoben wird oder herausrutscht.

1. Glossar

Arzt/Sprachtherapeut – Arzt bzw. qualifizierter Sprachtherapeut/Logopäde oder klinischer Spezialist, der in Stimmrehabilitationsverfahren geschult ist.

HME – Wärme- und Feuchtigkeitsaustauscher (Heat and Moisture Exchanger). Vorrichtung, die die Wärme und Feuchtigkeit der Ausatemluft speichert und beim Einatmen an die Luft zurückgibt.

PE-Segment – Pharyngo-ösophageales Segment. Der Teil der Speiseröhre, in dem mithilfe einer Stimmprothese Klang durch Gewebsvibration erzeugt wird.

TE-Punktion – Tracheo-ösophageale Fistel. Kleine künstliche Öffnung zwischen der Luftröhre und der Speiseröhre, in die die Stimmprothese platziert wird.

Tracheostoma – Atmungsöffnung vorn am Hals, wo die Luftröhre an der Haut befestigt ist (auch als Stoma bezeichnet).

Stimmprothese – Ein Einwegventil, das in der TE-Fistel platziert wird. Das Ventil hat einen Flansch auf beiden Seiten, der dafür sorgt, dass das Ventil in Position bleibt. Luft kann durch das Ventil in die Speiseröhre umgeleitet werden. Das Ventil senkt auch das Risiko, dass Speisen oder Flüssigkeiten in die Luftröhre gelangen.

2. Beschreibende Informationen

2.1 Gebrauchsanweisung

Provox ActiValve ist eine unsterile Verweilprothese für das anterograde Einführen in eine geheilte Punktion im Rahmen der Stimmrehabilitation nach einer totalen Laryngektomie. Das Produkt ist für Patienten vorgesehen, bei denen frühzeitig Undichtigkeiten bei den vorhergehenden Stimmprothesen aufgetreten sind (Produktnutzungsdauer zwischen 4 und 8 Wochen). Es verringert bei der überwiegenden Zahl der Anwender die Häufigkeit erforderlicher Wechsel, jedoch nicht bei allen.

2.2 KONTRAINDIKATIONEN

Provox ActiValve eignet sich NICHT

- für das Einführen in eine frische Punktion,
- für die Verwendung durch den Patienten während einer MRT-Untersuchung (Kernspintomographie) bzw. einer Strahlenbehandlung.

2.3 Beschreibung des Produktes

Die Provox ActiValve-Stimmprothese [Abb. 1] ist ein unsteriles Einwegventil, das eine tracheo-ösophageale-(TE)-Punktion zum Sprechen offen hält und gleichzeitig das Risiko verringert, dass Flüssigkeiten und Speisen in die Luftröhre gelangen.

Sie hat zwei Halteflansche [A] und einen blauen Ring [B], der Stabilität gewährleistet, sowie eine glatte Dichtfläche für die Ventilklappe [C]. Die Prothese ist kein Dauerimplantat und muss regelmäßig gewechselt werden.

Das Produkt besteht aus Silikon Gummi medizinischer Güte und röntgendichtem Fluorkunststoff. Das Produkt und seine Teile enthalten kein Naturkautschuklatex. Der Außendurchmesser beträgt 7,5 mm (22,5 Fr). Provox ActiValve ist in den Längen 4,5, 6, 8, 10 und 12,5 mm und mit verschiedenen Öffnungsdrücken erhältlich. Die Magneten [D] in Ring und Ventilklappe bestimmen die Öffnungskraft (die Magneten können nicht angepasst werden). Da die Öffnungskräfte bei einer einfachen Sichtprüfung des Produkts nicht offensichtlich sind, sind im Lieferumfang des Produkts Provox ActiValve-Benutzerkarten enthalten, die außerdem wichtige Informationen zur Stimmprothese enthalten. Wenn Sie Ihre Benutzerkarte verloren haben, wenden Sie sich an Ihren Arzt, um eine neue zu beschaffen.

Die folgenden Elemente in der Verpackung sind für den Gebrauch durch den Patienten vorgesehen und sollten Ihnen vom Arzt ausgehändigt werden.

- 2 Provox Brush (Bürsten)
- 1 Provox Plug
- 1 Provox ActiValve Lubricant (Gleitgel)
- 1 Notfallausweis
- 2 Provox ActiValve-Benutzerkarten.

2.4 WARNHINWEISE

Die Provox ActiValve-Stimmprothese kann versehentlich verschluckt werden. Wenden Sie sich in diesem Fall an Ihren Arzt, der Ihnen weiterhelfen wird.

Eine versehentliche Aspiration (d. h. wenn das Produkt in die Luftröhre fällt) der Provox ActiValve-Stimmprothese oder anderer Komponenten des Provox ActiValve-Stimmrehabilitationssystems kann u. U. auftreten. Zu den akuten Symptomen gehören Husten, Würgen oder Keuchen. In diesem Fall müssen Sie sofort medizinisch behandelt werden. Ein Fremdkörper in den Atemwegen kann zu schweren Komplikationen führen und muss von einem Arzt entfernt werden.

Vorsicht: Sie können das Produkt einatmen oder verschlucken, ohne sofort Symptome zu entwickeln oder nur einen leichten Husten. Wenn das Produkt im Shunt nicht sichtbar ist, wenden Sie sich umgehend an einen Arzt, ganz gleich, ob Sie schwere, leichte oder keine Symptome haben.

Wiederverwendung und Wiederaufbereitung können eine Kreuzkontamination und eine Beschädigung des Produkts verursachen, was für den Patienten negative Folgen haben könnte.

Die Provox ActiValve-Stimmprothese und ihre Zubehörteile dürfen nicht verändert werden. Dies kann das Risiko einer Aspiration oder des Verschluckens des Produkts erhöhen.

2.5 VORSICHTSMASSNAHMEN

Wenden Sie sich in den folgenden Fällen an Ihren Arzt:

- Es sind Undichtigkeiten durch oder um die Prothese herum vorhanden (Husten und/oder Änderung der Schleimhautfarbe).
- Das Sprechen wird schwierig (anstrengender und/oder Sprache hört sich angestrengt an).
- Es sind Anzeichen für eine Entzündung oder Gewebsveränderung im Shuntbereich vorhanden (Schmerzen, Wärme, Schwellung, Blutspuren auf der Bürste nach dem Bürsten).
- Es sind Veränderungen im Aussehen des Prothesenmaterials oder an deren Sitz in der Punktion erkennbar.
- Sie leiden beim Trinken häufiger unter Husten. Die Reinigung der Prothese ändert nichts daran. Dies kann ein frühes Anzeichen für Undichtigkeiten durch oder um die Stimmprothese sein.
- Sie haben Blutungen oder Gewebswucherungen um das Produkt herum.
- Sie haben ständig Schmerzen oder Beschwerden im Bereich der Provox ActiValve.
- Sie haben einen chronischen Husten, Schwierigkeiten beim Atmen oder Blut im Schleim. Dies können Anzeichen für eine ernste Erkrankung sein, die medizinisch behandelt werden muss.

So verringern Sie das Infektionsrisiko:

Waschen Sie vor dem Berühren des Tracheostomabereichs oder vor dem Umgang mit dem Zubehör die Hände gründlich und trocknen Sie sie ab.

Alle Produkte, die in Ihr Tracheostoma oder Ihre Stimmprothese eingeführt werden oder Kontakt damit haben, müssen sauber sein.

So verringern Sie das Risiko einer Produktbeschädigung:

Verwenden Sie zur Handhabung und Reinigung der Prothese nur Provox-Originalzubehör, das für den Gebrauch mit der Provox ActiValve vorgesehen ist. **Andere Produkte können zu Verletzungen oder Beschädigungen der Stimmprothese führen.**

Reinigen Sie wie beschrieben die Stimmprothese und tragen Sie Gleitmittel auf, um die Funktion aufrechtzuerhalten.

Verwenden Sie nur Provox ActiValve Lubricant für die Lubrikation der Provox ActiValve-Stimmprothese. Andere Gleitmittel können die Stimmprothese beschädigen.

So verringern Sie das Verletzungsrisiko:

Informieren Sie das medizinische Personal immer über Ihr Provox ActiValve und legen Sie Ihre Provox ActiValve-Benutzerkarte vor, bevor Sie sich einer medizinischen Behandlung oder Untersuchung unterziehen. Siehe auch den Abschnitt „Kontraindikationen“.

Bewahren Sie das Provox ActiValve Lubricant und anderes Zubehör außerhalb der Reichweite von Kindern und Haustieren auf, die durch Verschlucken oder Einatmen in Gefahr gebracht werden könnten.

Versuchen Sie nicht, die Provox ActiValve zuhause oder selbst zu wechseln. Das Produkt sollte nur durch medizinisches Fachpersonal entfernt und gewechselt werden.

3. Gebrauchsanweisungen

3.1 Verwendung der Provox ActiValve für das Sprechen

Bei manchen Personen besteht beim Schlucken oder Einatmen ein negativer Druck im Pharynx/Ösophagus. Dies kann dazu führen, dass sich das Ventil versehentlich öffnet. Die Magnete im Ventil erhöhen den Anfangsdruck, der für das Öffnen des Ventils erforderlich ist. Dadurch wird ein versehentliches Öffnen verhindert.

Infolgedessen kann es sein, dass Sie beim Sprechen zu Beginn mehr Kraft aufwenden müssen. Sobald der anfängliche Magnetwiderstand überwunden ist, entspricht die Provox ActiValve im Gebrauch allen anderen Provox-Stimmprothesen.

3.2 Reinigung und Desinfektion

Damit Sie mit Ihrer Stimmprothese sprechen können, muss sie sauber sein, um Luft passieren zu lassen. Die regelmäßige Reinigung der Prothese hilft, die Nutzungsdauer zu verlängern.

Bürsten Sie die Prothese zwei Mal täglich und nach jeder Mahlzeit mit der Provox Brush (Bürste) ab, um Schleim und Speisereste aus der Prothese zu entfernen. Auch das Spülen der Prothese mit Provox Flush ist hilfreich für die Reinigung.

Einmal täglich, nach der morgendlichen Reinigung, muss mithilfe einer Provox Brush ein Tropfen Provox ActiValve Lubricant auf das innere Lumen der Stimmprothese gegeben werden. Lesen Sie vor Gebrauch die Gebrauchsanweisungen zum Provox ActiValve Lubricant durch.

Vorsicht:

- Tragen Sie das Provox ActiValve Lubricant nicht direkt von der Flasche auf die Stimmprothese auf, da die Flüssigkeit dadurch in die Lunge gelangen könnte [Abb. 2]. Hierdurch oder durch zu viel oder zu häufiges Auftragen von Gleitmittel können Husten, Lungenentzündung oder ernste Atmungsprobleme verursacht werden.
- Erweitern Sie nicht die Flaschenöffnung des Provox ActiValve Lubricant.

3.3 Nutzungsdauer des Produkts

Abhängig von den individuellen biologischen Bedingungen schwankt die Nutzungsdauer des Produkts und es ist nicht möglich, die strukturelle Integrität des Produkts für einen längeren Zeitraum vorherzusagen. Das Material des Produkts wird durch Bakterien und Hefen beeinträchtigt und die strukturelle Integrität des Produkts wird möglicherweise nachlassen.

Bestimmte Nahrungsmittel, wie Buttermilch, Probiotika und koffeinhaltige Softdrinks, können das Auftreten von Bakterien und Hefen auf der Stimmprothese verringern. Eine ausgewogene Ernährung ist daher wichtig, bitte besprechen Sie mit Ihrem Arzt, ob sich Änderungen an Ihrer Ernährungsweise empfehlen.

3.4 Zubehör

Provox Brush/Provox Brush XL (Bürste) wird zur Reinigung des Innenlumens der Prothese oder zur Applikation von Provox ActiValve Lubricant verwendet.

Provox Flush ist ein zusätzliches Reinigungsinstrument, mit dem die Prothese gespült werden kann.

Provox Plug ist zum Verschluss von Undichtigkeiten durch die Prothese hindurch im Rahmen von Erste-Hilfe-Maßnahmen vorgesehen.

Provox ActiValve Lubricant dient als Gleitmittel für die Ventiloberfläche der Provox ActiValve.

Provox LaryButton: Eine weiche, selbsthaltende Trachealkanüle aus Silikon, die dazu dient, schrumpfende Stomata zu stabilisieren und gleichzeitig andere Rehabilitationsprodukte des Provox-Systems an Ort und Stelle zu halten.

3.5 Entsorgung

Bei der Entsorgung eines benutzten Medizinprodukts sind stets die medizinischen Praktiken und nationalen Vorschriften hinsichtlich biologischer Gefährdung zu befolgen.

4. Nebenwirkungen/Problembeseitigung nach Symptom

Zu den Indikationen für den Wechsel der Provox ActiValve-Stimmprothese gehören Undichtigkeiten durch das Ventil, Blockaden der Prothese, Bakterien- und Hefen-Überbesiedelung, die zur Zersetzung des Materials führen und/oder aufgrund derer ein zu starker Druck für das Sprechen aufgebaut werden muss. Andere Gründe für einen Wechsel sind medizinische Indikationen, wie Probleme im Shuntbereich.

Es obliegt der Verantwortung Ihres Arztes, Sie über Risiken und Nutzen der Stimmrehabilitation mittels Prothese zu informieren und Ihnen zu erklären, was Sie im Falle von Nebenwirkungen unternehmen müssen. Wenn Sie nicht sicher sind, ob Sie alle Anweisungen vollständig verstanden haben, bitten Sie Ihren Arzt um ergänzende Erläuterungen.

Symptom: Husten (ausgelöst durch Essen oder Trinken) bei eingesetzter Prothese

Häufigste Ursachen: Undichtigkeit durch oder um die Prothese herum

Maßnahmen:

1. Reinigen Sie die Prothese mit der Provox Brush (Bürste) und, falls möglich, mit dem Provox Flush. Es könnten u. U. Speisereste vorhanden sein, die das richtige Schließen des Ventils verhindern.

Wenn die Undichtigkeit weiter besteht:

2. Beobachten Sie die Prothese beim Trinken. Versuchen Sie herauszufinden, ob die Undichtigkeiten sich in der Mitte oder um die Prothese herum befinden.

a) Wenn Sie glauben, dass sich die Undichtigkeiten in der Mitte befinden, können Sie den Provox Vega Plug verwenden, wenn Sie essen und trinken, um Undichtigkeiten vorzubeugen. Informieren Sie Ihren Arzt darüber, dass Sie eine neue Prothese benötigen.

b) Wenn Sie glauben, dass sich die Undichtigkeiten um die Prothese herum befinden oder wenn der Plug die Undichtigkeit nicht beseitigt, informieren Sie Ihren Arzt darüber, dass Sie möglicherweise eine Undichtigkeit um die Prothese herum haben.

Symptom: Sprechen ist manchmal nicht möglich (Ventil öffnet sich nicht).

Mögliche Ursache: Der Ventildeckel haftet am Ventilsitz, was dazu führt, dass das Ventil sich nicht öffnet. Je länger das Ventil nicht verwendet wird (z. B. über Nacht), desto wahrscheinlicher ist es.

Maßnahmen: Reinigen Sie die Stimmprothese und tragen Sie Gleitmittel auf (siehe Abschnitt Reinigung und Pflege). Wenn Reinigung und Gleitmittel nicht helfen: Wenden Sie sich an Ihren Arzt.

Symptom: Das Sprechen wird immer schwieriger.

Häufigste Ursachen: Verstopfung des Ventils, Gewebsschwellung im Hals (z. B. während einer Strahlentherapie).

Maßnahmen:

1. Reinigen Sie die Prothese mit der Provox Brush (Bürste) und/oder Provox Flush. Möglicherweise sind Speisereste vorhanden, die den Luftströmungswiderstand erhöhen.
2. Wenn dies nicht hilft: Wenden Sie sich unverzüglich an Ihren Arzt.

Symptome: Schmerzen, Wärme, Schwellungen und Ausschläge (einzeln oder zusammen) im Bereich der Prothese oder des Tracheostomas.

Häufigste Ursachen: Entzündungen des Gewebes und Infektionen.

Maßnahmen: Wenden Sie sich unverzüglich an Ihren Arzt.

Symptome: Blutspuren auf der Bürste nach dem Bürsten.

Häufigste Ursachen: Entzündungen des Gewebes und Infektionen auf der ösophagealen Seite.

Maßnahmen: Wenden Sie sich unverzüglich an Ihren Arzt.

5. Zusätzliche Informationen

5.1 Flugreisen

Dieses Produkt enthält 2 Magnete mit einer Größe von 1 bis 1,5 mm und einem Gewicht von 0,15 bis 0,2 g. Es ist unwahrscheinlich, dass durch die Magnete Metalldetektoren, wie es sie z. B. an Flughäfen gibt, aktiviert werden. Um Zwischenfälle zu verhindern, ist es ratsam, das Sicherheitspersonal vorab über Ihre Stimmprothese zu informieren und Ihre Provox ActiValve-Benutzerkarte vorzulegen.

5.2 Druckdatum und Benutzerhinweise

Die Versionsnummer dieser Gebrauchsanweisung sowie Herstellerkontaktdaten finden Sie auf der Rückseite dieses Heftes.

6. Meldung

Bitte beachten Sie, dass alle schwerwiegenden Vorfälle, die sich im Zusammenhang mit dem Produkt ereignet haben, dem Hersteller sowie den nationalen Behörden des Landes gemeldet werden müssen, in dem der Benutzer und/oder der Patient ansässig ist.

Provox ActiValve stemrevalidatiesysteem

Tracheostomale beademing

Noodsituaties

Het is belangrijk dat eerstehulpverleners weten dat u door uw hals ademt. Dan weten ze dat zuurstof en beademing moeten worden toegepast op uw stoma en niet op uw mond of neus.

We raden u en uw clinicus aan om de richtlijnen voor beademing te downloaden van

www.atosmedical.com/rescuebreathing

In uw Provox ActiValve-pakket vindt u een knalgele noodkaart en een Provox ActiValve gebruikerskaart. We adviseren u om zowel de noodkaart als de Provox ActiValve gebruikerskaart te allen tijde bij u te dragen.

Electieve situaties

Als u een ingreep moet ondergaan waarbij u geïntubeerd (beademingsbuis wordt ingebracht in uw luchtpijp) moet worden, is het uitermate belangrijk dat de anesthesist en de arts die de ingreep uitvoert weten dat u door uw hals ademt en dat u een stemprothese gebruikt. Het is belangrijk dat ze weten dat de stemprothese moet blijven zitten. Als deze wordt verwijderd, kunnen er vloeistoffen uit uw mond, slokdarm of maag in uw luchtpijp terechtkomen.

Het is heel belangrijk dat de intubatiecanule voorzichtig wordt ingebracht en verwijderd, zodat de stemprothese niet losraakt of naar buiten komt.

1. Verklarende woordenlijst

Clinicus: een medisch professional of naar behoren gediplomeerde logopedist of klinisch verpleegkundig specialist die is getraind in stemrevalidatieprocedures.

HME: warmte- en vochtwisselaar (Heat and Moisture Exchanger). Hulpmiddel dat warmte en vocht uit de uitgedemde lucht vasthoudt en weer aan de lucht afgeeft wanneer u inademt.

PE-segment: faryngo-oesofageaal segment. Het deel van de slokdarm waar bij gebruik van een stemprothese geluid wordt voortgebracht door trilling van weefsels.

Tracheo-oesofageale punctie: kleine kunstmatige opening tussen de luchtpijp en de slokdarm waarin de stemprothese wordt geplaatst.

Tracheostoma: ademhalingsopening in de hals, waar de luchtpijp is verbonden met de huid (ook 'stoma' genoemd).

Stemprothese: een eenrichtingsklep die in de tracheo-oesofageale punctie wordt ingebracht. De klep heeft aan weerszijden een flens die ervoor zorgt dat de klep op zijn plaats blijft. Lucht kan via de klep naar de slokdarm worden gestuurd om spreken mogelijk te maken; tegelijkertijd verkleint de klep het risico dat voedsel en vloeistoffen in de luchtpijp terechtkomen.

2. Beschrijving

2.1. Gebruiksaanwijzing

De Provox ActiValve is een niet-steriele, permanente stemprothese bedoeld voor anterograad inbrengen in een genezen punctie voor stemrevalidatie na een totale laryngectomie. Het hulpmiddel is bedoeld voor patiënten die een vroegtijdige lekkage ervaren met vorige stemprothesen (hulpmiddel is minder dan 4-8 weken oud). Dit hulpmiddel hoeft bij de meeste gebruikers minder vaak te worden vervangen, maar niet in alle gevallen.

2.2 CONTRA-INDICATIES

De Provox ActiValve is NIET bedoeld:

- voor inbrengen in een zojuist uitgevoerde punctie,
- om op zijn plaats te blijven tijdens een MRI-onderzoek (Magnetic Resonance Imaging), of tijdens radiotherapie.

2.3 Beschrijving van het hulpmiddel

De Provox ActiValve stemprothese (afb. 1) is een niet-steriele eenrichtingsklep voor eenmalig gebruik die een tracheo-oesofageale punctie openhoudt voor spraak en tegelijk de kans verkleint dat vloeistof of voedsel in de luchtpijp komt. Het heeft twee retentieflezen [A] en een blauwe ring [B] voor extra stabiliteit en gelijkmatige afdichting van de afsluitklep [C]. De prothese is geen permanent implantaat en dient periodiek te worden vervangen.

Het hulpmiddel is vervaardigd van siliconenrubber van medische kwaliteit en radiopaak fluorkunststof. Geen enkel onderdeel van dit hulpmiddel is gemaakt van natuurrubberlatex. De buitendiameter is 7,5 mm (22,5 Fr). De Provox ActiValve is verkrijgbaar in de lengtes 4,5, 6, 8, 10 en 12,5 mm en wordt geleverd met verschillende openingskrachten van de klep. De

magneten [D] in de ring en afsluitklep bepalen de openingskracht (de magneten zijn niet verstelbaar). Aangezien niet aan het hulpmiddel te zien is wat de openingskracht is, wordt het geleverd met Provox ActiValve gebruikerskaarten waar ook belangrijke informatie over de stemprothese op staat. Neem contact op met uw clinicus als u de gebruikerskaarten kwijt bent, zodat deze voor vervanging kan zorgen.

De volgende artikelen in het pakket zijn bestemd voor gebruik door de patiënt en moeten door uw clinicus aan u worden overhandigd:

- 2 Provox Brushes
- 1 Provox Plug
- 1 Provox ActiValve Lubricant
- 1 noodkaart
- 2 Provox ActiValve gebruikerskaarten

2.4 WAARSCHUWINGEN

Per ongeluk inslikken: het kan gebeuren dat u de Provox ActiValve stemprothese per ongeluk inslikt. Neem in dat geval contact op met uw arts, die u verder zal adviseren.

Per ongeluk inademen: het kan gebeuren dat de Provox ActiValve stemprothese of andere onderdelen van het Provox ActiValve stemvalidatiesysteem per ongeluk in uw luchtpijp terechtkomen. Directe symptomen zijn bijvoorbeeld hoesten, naar adem snakken of een piepende ademhaling. Als dit gebeurt, moet u onmiddellijk medische hulp inroepen. Een vreemd voorwerp in uw luchtwegen kan ernstige complicaties veroorzaken en moet door een clinicus worden verwijderd.

Let op: U kunt het hulpmiddel inademen of inslikken zonder dat u direct symptomen ervaart of alleen een lichte hoest ervaart. Neem direct contact op met uw clinicus als het hulpmiddel niet zichtbaar is in de punctie, of u nu ernstige, lichte of geen symptomen hebt.

Hergebruik en herverwerking kan kruisbesmetting en schade aan het hulpmiddel veroorzaken, met als mogelijk gevolg letsel van de patiënt.

Breng geen wijzigingen aan de Provox ActiValve stemprothese of een van de bijbehorende accessoires aan. Dit kan het risico op aspiratie of ingestie van het hulpmiddel vergroten.

Breng geen wijzigingen aan de Provox ActiValve stemprothese of een van de bijbehorende accessoires aan.

2.5 VOORZORGSMAATREGELEN

Raadpleeg uw clinicus als:

- Er lekkage optreedt via of rond de prothese (hoesten en/of kleurverandering van het slijm);
- Het spreken moeilijk gaat (meer inspanning vergt en/of geforceerder klinkt);
- Er tekenen van ontsteking of weefselveranderingen in het gebied van de punctie zijn (pijn, warmte, zwelling, bloedsporen op de borstel na het borstelen).
- Als u veranderingen in het uiterlijk van het materiaal van de stemprothese waarneemt of in de manier waarop deze in de punctie past.
- Als u vaak moet hoesten tijdens het drinken en dit niet overgaat wanneer u de stemprothese reinigt. Dit kan een vroeg teken van lekkage via of rond de stemprothese zijn.
- U hebt bloedingen of weefselovergroei rond het hulpmiddel.
- U hebt aanhoudende pijn of ongemak in het gebied van de Provox ActiValve.
- U heeft een chronische hoest, moeite met ademen of bloed in het slijm. Dit kunnen tekenen zijn van een ernstig gezondheidsprobleem dat medische zorg nodig heeft.

Verklein de kans op infectie als volgt:

Maak uw handen grondig schoon en droog voordat u met uw handen in de buurt van uw tracheostoma komt en voordat u uw stemprothese en/of accessoires reinigt.

Houd alle hulpmiddelen schoon die in uw tracheostoma en stemprothese kunnen worden ingebracht of ermee in aanraking kunnen komen.

Verklein de kans op productschade als volgt:

Gebruik voor het hanteren en reinigen van uw prothese uitsluitend originele Provox-accessoires die bestemd zijn voor gebruik met de Provox ActiValve. **Andere hulpmiddelen kunnen persoonlijk letsel of schade aan de stemprothese veroorzaken.**

Reinig en smeer de stemprothese zoals voorgeschreven om de werking te blijven behouden.

Gebruik Provox ActiValve Lubricant voor de smering van de Provox ActiValve stemprothese. Andere glijmiddelen kunnen de stemprothese beschadigen.

Om het risico op verwondingen te verkleinen:

Breng medisch personeel altijd op te hoogte van het feit dat u de Provox ActiValve gebruikt en laat ze uw Provox ActiValve gebruikerskaart zien voordat u een medische behandeling of een onderzoek ondergaat. Zie ook het hoofdstuk contra-indicaties.

Houd Provox ActiValve Lubricant en andere accessoires buiten bereik van kinderen en huisdieren voor wie het gevaarlijk is om ze in te ademen of door te slikken.

Probeer de Provox ActiValve niet zelf thuis uit. Het hulpmiddel moet worden verwijderd en vervangen door een professionele zorgverlener.

3. Gebruiksaanwijzing

3.1 De Provox ActiValve gebruiken om te spreken

Sommige mensen hebben tijdens het slikken of inademen een negatieve druk in de farynx/oesofagus. Hierdoor kan een klep onbedoeld opengaan. De magneten in de klep vergroten de aanvankelijke druk die nodig is om de klep te openen. Dit voorkomt onbedoeld openen.

Het gevolg is dat het kan voelen alsof u meer kracht nodig heeft om te beginnen met spreken. Zodra de aanvankelijke magnetische weerstand is overwonnen is het gebruik van de Provox ActiValve om te spreken vergelijkbaar met andere Provox-stemprotheses.

3.2 Reiniging en onderhoud

Uw stemprothese moet schoon zijn als u ermee wilt spreken, zodat lucht erdoorheen kan stromen. Regelmatig reinigen van de prothese verlengt ook de levensduur van het hulpmiddel.

Borstel de prothese ten minste tweemaal daags en na elke maaltijd met de Provox Brush om slijm en etensresten uit de prothese te verwijderen. De prothese spoelen met de Provox Flush helpt ook om het hulpmiddel te reinigen.

Smeer een keer per dag, na het reinigen in de ochtend, de binnenkant van het lumen van de stemprothese met één druppel Provox ActiValve Lubricant. Gebruik hiervoor de Provox Brush. Lees voor gebruik de gebruiksinstructies die met de Provox ActiValve Lubricant zijn meegeleverd.

Let op:

- Breng Provox ActiValve Lubricant niet rechtstreeks vanuit de fles aan op de stemprothese, aangezien er hierdoor vloeistof in de longen terecht kan komen [afb. 2]. Te veel of te vaak gebruik van het glijmiddel kan leiden tot ernstige hoestbuien, longontsteking of ernstige ademhalingsproblemen.
- Vergroot de flesopening van de Provox ActiValve Lubricant niet.

3.3 Levensduur van het hulpmiddel

De levensduur van het hulpmiddel varieert, afhankelijk van individuele biologische omstandigheden. Het is niet mogelijk om de structurele integriteit van het hulpmiddel over een langere periode te voorspellen. Het materiaal van het hulpmiddel zal worden aangetast door bijvoorbeeld bacteriën en gisten, en de structurele integriteit van het hulpmiddel zal uiteindelijk verslechteren.

Het gebruiken van bepaalde voedingsmiddelen, zoals karnemelk, probiotica en cafeïnehoudende frisdranken, kan de vorming van bacteriën en gisten op de stemprothese verminderen. Een gebalanceerd dieet is belangrijk. Bespreek met uw clinicus of het raadzaam is om uw dieet te veranderen.

3.4 Accessoires

Provox Brush/Provox Brush XL wordt gebruikt om de binnenkant van de prothese te reinigen of om Provox ActiValve Lubricant aan de brengen.

Provox Flush is een aanvullend reinigingshulpmiddel waarmee de prothese kan worden doorgespoeld.

Provox Plug is een eerstehulpinstrument dat lekkage via de prothese tijdelijk blokkeert.

Provox ActiValve Lubricant dient als glijmiddel voor het kleppervlak aan de binnenkant van de Provox ActiValve.

3.5 Afvoer

Volg bij het afvoeren van een gebruikt medisch hulpmiddel altijd de medische praktijk en nationale voorschriften met betrekking tot biologisch gevaar.

4. Bijwerkingen/probleemoplossing per symptoom

Tot de indicaties voor vervanging van de Provox ActiValve stemprothese behoren lekkage via de klep, blokkering van de prothese, overgroei van bacteriën en candida wat leidt tot materiaalafbraak en/of er kan overmatige druk nodig zijn om te kunnen spreken. Andere redenen voor vervanging zijn medische indicaties zoals problemen met het punctietraject.

Het is de verantwoordelijkheid van uw clinicus om u te informeren over de risico's en voordelen van stemrevalidatie met een prothese en om u te vertellen wat u moet doen als u last krijgt van een bijwerking. Weet u niet zeker of u alle aanwijzingen goed hebt begrepen, vraag uw clinicus dan om nadere uitleg.

Symptoom: hoesten (opgewekt door eten of drinken) terwijl de prothese op zijn plaats zit.

Meest voorkomende oorzaken: lekkage via of rond de prothese.

Maatregelen:

1. Reinig de prothese met de Provox Brush en zo mogelijk ook met de Provox Flush. Het kan zijn dat etensresten verhinderen dat de klep goed sluit.

Als de lekkage aanhoudt:

2. Observeer de prothese tijdens het drinken. Probeer na te gaan of het lekken door het midden of rond de prothese optreedt.
- a) Als u denkt dat de prothese in het midden lekt, kunt u tijdens het eten en drinken de Provox Vega Plug gebruiken om lekkage te voorkomen. Laat uw clinicus weten dat u een nieuwe prothese nodig hebt.
- b) Als u denkt dat de lekkage rond de prothese optreedt of als de Plug de lekkage niet stopt, informeert u uw clinicus dat u mogelijk last hebt van lekkage rond uw prothese.

Symptoom: spreken is soms niet mogelijk (de klep gaat niet open).

Vermoedelijke oorzaak: het deksel van de klep blijft kleven aan de klepzitting, waardoor de klep niet opengaat. De kans dat dit gebeurt wordt groter naarmate de klep langer niet wordt gebruikt (bijv. 's nachts).

Maatregelen: reinig de stemprothese en smeer deze (zie het hoofdstuk Reiniging en onderhoud). Als reinigen en smeren niet helpt: neemt u contact op met uw clinicus.

Symptoom: spreken gaat steeds moeilijker.

Meest voorkomende oorzaken: klepobstructie, weefselzwellling in de keel (bv. tijdens radiotherapie).

Maatregelen:

1. Reinig de prothese met de Provox Brush en/of Flush. Het kan zijn dat etensresten de luchtweerstand vergroten.
2. Als dat niet helpt, neemt u onmiddellijk contact op met uw clinicus.

Symptomen: pijn, warmte, zwelling en huiduitslag (samen of alleen) in het gebied van de prothese of het stoma.

Meest voorkomende oorzaken: weefselontsteking en infecties.

Maatregelen: neem onmiddellijk contact op met uw clinicus.

Symptomen: bloedsporen op de borstel na het borstelen.

Meest voorkomende oorzaken: weefselontsteking en infecties aan de kant van de oesofagus.

Maatregelen: neem onmiddellijk contact op met uw clinicus.

5. Aanvullende informatie

5.1 Vliegzeilen

Dit hulpmiddel bevat twee magneten; maat: 1-1,5 mm, gewicht: 0,15-0,2 gram. Het is onwaarschijnlijk dat metaaldetectoren zoals op vliegvelden worden gebruikt afgaan, maar om incidenten te voorkomen raden we u aan om beveiligingspersoneel vooraf te informeren over uw stemprothese en ze uw Provox ActiValve gebruikerskaart te laten zien.

5.2 Drukdatum en hulp voor gebruikers

Het versienummer van deze gebruiksaanwijzing en de contactgegevens van de fabrikant vindt u op het achterblad.

6. Meldingen

Let op: elk ernstig incident dat zich in verband met het hulpmiddel heeft voorgedaan, moet worden gemeld aan de fabrikant en de nationale autoriteit van het land waar de gebruiker en/of de patiënt woont.

Système de réhabilitation vocale Provox ActiValve

Gestion des voies respiratoires avec trachéostome

Situations d'urgence

Il est important que le personnel d'urgence sache que vous respirez par le cou. Ceci les aidera à déterminer que l'oxygène et la respiration artificielle doivent être administrés au niveau de votre trachéostome et non de votre bouche ou votre nez.

Nous vous recommandons ainsi qu'à votre médecin de télécharger les directives de sauvetage respiratoire à l'adresse

www.atosmedical.com/rescuebreathing

Dans l'emballage de votre Provox ActiValve, vous trouverez une carte d'urgence jaune vif ainsi qu'une carte d'utilisateur Provox ActiValve.

Nous vous recommandons de conserver la carte d'urgence et la carte d'utilisateur Provox ActiValve sur vous à tout moment.

Situations planifiées

Si vous devez subir une intervention nécessitant une intubation (introduction d'un tube respiratoire dans votre trachée), il est très important que l'anesthésiste et le médecin effectuant l'intervention soient avertis du fait que vous respirez par le cou et du fait que vous utilisez une prothèse phonatoire. Il est important qu'ils sachent que la prothèse phonatoire doit rester en place. Si elle est retirée, des liquides buccaux, œsophagiens ou stomacaux peuvent pénétrer dans votre trachée.

Il est essentiel que la sonde d'intubation soit introduite et retirée avec précaution de manière à éviter tout délogement ou retrait accidentel de la prothèse phonatoire.

1. Glossaire

Clinicien : médecin ou orthophoniste diplômé ou infirmière clinicienne spécialisée dûment formée aux méthodes de réhabilitation vocale.

HME (ECH) : échangeur de chaleur et d'humidité (Heat and Moisture Exchanger). Dispositif qui retient la chaleur et l'humidité de l'air expiré et les restitue à l'air inspiré.

Segment PO : segment pharyngo-œsophagien. La partie du tube digestif dans laquelle le son est généré par la vibration du tissu lors de l'utilisation d'une prothèse phonatoire.

Fistule TE : fistule trachéo-œsophagienne. Petite ouverture artificielle créée entre la trachée et l'œsophage, dans laquelle la prothèse phonatoire est placée.

Trachéostome : Ouverture pratiquée sur le devant du cou, où le conduit respiratoire est relié à la peau.

Prothèse phonatoire : valve unidirectionnelle introduite dans la fistule trachéo-œsophagienne. La valve est munie d'une collerette de chaque côté permettant à la valve de rester en place. L'air peut être redirigé via la valve vers l'œsophage pour la phonation, réduisant le risque de pénétration de nourriture et de liquides dans la trachée.

2. Description générale

2.1 Mode d'emploi

Provox ActiValve est une prothèse phonatoire non stérile conçue pour une insertion antérograde dans une fistule cicatrisée destinée à la réhabilitation vocale, suite à une laryngectomie totale. Le dispositif est destiné aux patients expérimentant des fuites précoces avec les prothèses phonatoires précédentes (durée de vie des dispositifs inférieure à 4–8 semaines). Le dispositif réduit le besoin de remplacement fréquent chez la majorité des utilisateurs, mais pas chez tous.

2.2 CONTRE-INDICATIONS

La prothèse Provox ActiValve n'est PAS destinée à :

- une insertion dans une fistule réalisée récemment,
- être en place lors d'un examen par IRM (Imagerie par résonance magnétique) ou lors de séances de radiothérapie.

2.3 Description du dispositif

La prothèse phonatoire Provox ActiValve [Fig. 1] est une valve unidirectionnelle non stérile à usage unique gardant la fistule TE ouverte afin de permettre la phonation, tout en réduisant le risque que des liquides ou de la nourriture pénètrent dans la trachée. Elle est munie de deux collerettes de rétention [A] et d'un anneau bleu [B] qui offre plus de stabilité et une surface hermétique homogène au clapet de la valve [C]. La prothèse n'est pas un implant permanent et elle nécessite un remplacement régulier.

La prothèse est en caoutchouc de silicone de qualité médicale et fluoroplastique radio-opaque. Aucune partie de cette prothèse n'est fabriquée en latex de caoutchouc naturel. Le diamètre externe est de 7,5 mm (22,5 Fr). La prothèse Provox ActiValve est disponible dans les longueurs suivantes : 4,5 mm, 6 mm, 8 mm, 10 mm et 12,5 mm ; elle existe en plusieurs

options de pression d'ouverture de la valve. Les aimants [D] présents dans l'anneau et le clapet de la valve déterminent la force d'ouverture (les aimants ne sont pas réglables). Étant donné que les forces d'ouverture ne sont pas apparentes par simple inspection visuelle, la prothèse est accompagnée des cartes utilisateur Provox ActiValve qui fournissent également des informations importantes sur la prothèse phonatoire. Si vous avez perdu les cartes utilisateur, contactez votre praticien, qui pourra demander leur remplacement.

Les éléments suivants présents dans l'emballage sont destinés à l'usage du patient et doivent vous être confiés par votre praticien :

- 2 brosses Provox Brush;
- 1 bouchon Provox Plug;
- 1 Provox ActiValve Lubricant (lubrifiant);
- 1 carte d'urgence;
- 2 cartes utilisateur Provox ActiValve.

2.4 AVERTISSEMENTS

Une ingestion accidentelle de la prothèse phonatoire Provox ActiValve peut survenir. Si cela se produit, contactez votre médecin qui vous conseillera.

Une aspiration accidentelle (dispositif pénétrant dans la trachée) de la prothèse phonatoire Provox ActiValve ou d'autres composants du système de réhabilitation vocale Provox ActiValve peut se produire. Les symptômes immédiats peuvent inclure une toux, une suffocation ou une respiration sifflante. Si cela se produit, recourez immédiatement à un secours médical. Un corps étranger dans les voies respiratoires peut entraîner des complications graves et doit être retiré par un praticien.

Mise en garde : Il est possible qu'une aspiration ou une ingestion ne soit pas immédiatement suivie de symptômes, seulement d'une toux modérée. Si le dispositif n'est pas visible dans la fistule, contactez immédiatement votre praticien, que vos symptômes soient graves, modérés ou inexistantes.

La réutilisation et le retraitement peuvent provoquer une contamination croisée ou l'endommagement du dispositif, ce qui pourrait causer préjudice au patient.

Ne pas modifier la prothèse phonatoire Provox ActiValve ni aucun de ses accessoires. Ceci est susceptible d'augmenter le risque d'aspiration ou d'ingestion du dispositif.

2.5 PRÉCAUTIONS

Consultez votre praticien si :

- il existe une fuite à travers ou autour de la prothèse (toux et/ou changement de couleur du mucus).
- la phonation devient difficile (effort plus grand et/ou voix plus cassée).
- il existe des signes d'inflammation ou des modifications des tissus dans la zone de la fistule (douleur, chaleur, gonflement, traces de sang sur la brosse après brossage).
- vous remarquez des changements d'aspect du matériau de la prothèse ou de la manière dont elle s'adapte dans la fistule.
- vous toussiez fréquemment lors de l'absorption de boissons et que le nettoyage de la prothèse phonatoire ne résout pas le problème. Cela peut être un signe précoce de fuite à travers ou autour de la prothèse phonatoire.
- Vous avez une hémorragie ou une croissance excessive des tissus autour du dispositif.
- Vous éprouvez une douleur persistante ou une gêne dans la région de la prothèse Provox ActiValve.
- Vous souffrez d'une toux chronique, de difficultés respiratoires ou vous constatez la présence de sang dans le mucus. Cela peut constituer un signe d'état de santé grave qui nécessite la consultation d'un médecin.

Afin de réduire le risque d'infection :

Assurez-vous d'avoir les mains parfaitement propres et sèches avant de toucher la région de votre trachéostome, ainsi qu'avant de nettoyer votre prothèse phonatoire et/ou ses accessoires.

Veillez à ce que tous les dispositifs susceptibles d'entrer en contact avec le trachéostome et la prothèse phonatoire demeurent propres.

Afin de réduire le risque de détérioration du produit :

Utilisez uniquement des accessoires Provox d'origine, prévus pour être utilisés avec la prothèse Provox ActiValve, lors de la manipulation et du nettoyage de votre prothèse. **L'utilisation d'autres dispositifs pourrait être à l'origine de blessures ou endommager la prothèse phonatoire.**

Nettoyez et lubrifiez la prothèse phonatoire comme indiqué afin de maintenir sa fonctionnalité.

Utilisez uniquement Provox ActiValve Lubricant (lubrifiant) pour lubrifier la prothèse phonatoire Provox ActiValve. D'autres lubrifiants peuvent endommager la prothèse phonatoire.

Pour réduire le risque de blessure :

Informez toujours le personnel médical à propos de votre prothèse Provox ActiValve et montrez-leur votre carte utilisateur Provox ActiValve avant de subir un traitement ou un examen médical, quel qu'il soit. Consultez également les Contre-indications.

Gardez Provox ActiValve Lubricant (lubrifiant) et les autres accessoires hors de portée des enfants et des animaux domestiques, qui peuvent subir des dommages en cas d'inhalation ou d'ingestion.

Ne tentez pas de modifier la prothèse Provox ActiValve chez vous ou par vous-même. La prothèse doit uniquement être retirée ou remplacée par un professionnel du corps médical.

3. Mode d'emploi

3.1 Comment utiliser Provox ActiValve pour parler

Certaines personnes ont une pression négative dans le pharynx/l'œsophage en avalant/inhalant. Ceci peut provoquer une ouverture non intentionnelle de la valve. Les aimants présents dans la valve augmentent la pression initiale nécessaire pour ouvrir la valve. De cette manière, l'ouverture non intentionnelle est évitée.

Vous risquez par conséquent de ressentir qu'il vous faut plus de force pour commencer à parler. Une fois que la résistance magnétique initiale est franchie, la prothèse Provox ActiValve est similaire pour la phonation à toute autre prothèse phonatoire Provox.

3.2 Nettoyage et entretien

Pour que vous puissiez parler avec votre prothèse phonatoire, celle-ci doit être propre afin que l'air puisse la traverser. Un nettoyage régulier de la prothèse permet également de prolonger la durée de vie du dispositif.

Le brossage des prothèses deux fois par jour et après chaque repas à l'aide de la brosse Provox Brush permet de retirer le mucus et les restes de nourriture de la prothèse. Le rinçage de la prothèse avec la poire de rinçage Provox Flush aide également à nettoyer le dispositif.

Une fois par jour, après le nettoyage matinal, lubrifiez également la lumière interne de la prothèse phonatoire avec une goutte de Provox ActiValve Lubricant (lubrifiant) au moyen d'une brosse Provox Brush. Avant utilisation, lisez le mode d'emploi accompagnant le Provox ActiValve Lubricant (lubrifiant).

Mise en garde :

- Ne pas appliquer le Provox ActiValve Lubricant (lubrifiant) directement du flacon sur la prothèse phonatoire, ceci risquant de déposer le liquide dans les poumons [Fig. 2]. Ceci ou l'utilisation excessive du lubrifiant en quantité ou fréquence peut entraîner une toux sévère, une pneumonie ou des difficultés respiratoires graves.
- Ne pas élargir l'ouverture du flacon de Provox ActiValve Lubricant (lubrifiant).

3.3 Durée de vie du dispositif

La durée de vie varie selon les données biologiques individuelles et il n'est pas possible de prédire l'intégrité structurelle du dispositif sur une longue période. Les matériaux du dispositif peuvent être affectés notamment par des bactéries ou des levures, ce qui peut finalement détériorer l'intégrité structurelle du dispositif.

L'ajout de certains produits alimentaires tels que le babeurre, les probiotiques et les boissons caféinées peut réduire la présence de bactéries et levures sur la prothèse phonatoire. Un régime alimentaire équilibré est important, veuillez consulter votre praticien pour savoir si des changements de régime sont recommandés.

3.4 Accessoires

La brosse **Provox Brush / Provox Brush XL** est utilisée pour nettoyer l'intérieur de la prothèse ou pour appliquer le Provox ActiValve Lubricant (lubrifiant).

La poire de rinçage **Provox Flush** est un accessoire de nettoyage supplémentaire permettant de rincer la prothèse.

Le bouchon **Provox Plug** est un dispositif de secours permettant de bloquer temporairement les fuites intra-prothétiques.

Le lubrifiant **Provox ActiValve Lubricant** sert à lubrifier la surface de la valve dans la prothèse Provox ActiValve.

3.5 Élimination

Respectez toujours la pratique médicale et les réglementations nationales concernant les risques biologiques lorsque vous mettez un dispositif médical usagé au rebut.

4. Effets indésirables et solutions classé(e)s par symptôme

Le remplacement de la prothèse phonatoire Provox ActiValve est indiqué dans les cas suivants : fuite intra-prothétique ou obstruction de la prothèse, prolifération bactérienne ou candidose entraînant une dégradation des matériaux et/ou pression excessive requise pour permettre la phonation. D'autres raisons justifiant un remplacement comprennent des indications médicales telles que des problèmes liés à la fistule.

Il incombe à votre praticien de vous informer des risques et avantages de la réhabilitation vocale prothétique et de vous donner les instructions pertinentes à suivre en cas d'événements indésirables. Si vous n'êtes pas sûr d'avoir totalement compris toutes les instructions, demandez à votre praticien des explications complémentaires.

Symptôme : Toux (déclenchée par l'absorption d'aliments ou de boissons) alors que la prothèse est en place.

Raisons les plus communes : fuite à travers ou autour de la prothèse.

Mesures :

1. Nettoyez la prothèse à l'aide de la brosse Provox Brush et si possible aussi avec la poire de rinçage Provox Flush. Des résidus de nourriture peuvent empêcher la valve de se fermer.

Si la fuite continue :

2. Observez la prothèse lorsque vous buvez. Essayez d'identifier si elle fuit par le centre de la prothèse ou par le pourtour.

a) Si vous pensez qu'elle fuit par le centre, vous pouvez utiliser le bouchon Provox Vega Plug lorsque vous mangez et buvez pour éviter les fuites. Informez votre praticien du fait qu'il vous faut une nouvelle prothèse.

b) Si vous pensez qu'elle fuit par le pourtour, ou si le bouchon n'arrête pas la fuite, informez votre praticien de cette fuite autour de la prothèse.

Symptôme : Il est parfois impossible de parler (la valve ne s'ouvre pas).

Cause probable : Le clapet de la valve adhère au siège de la valve, empêchant son ouverture. Ceci est d'autant plus probable si la valve n'a pas été utilisée depuis longtemps (par exemple pendant la nuit).

Mesures : Nettoyez la prothèse phonatoire et lubrifiez-la (voir section Nettoyage et entretien). Si le nettoyage et la lubrification n'apportent pas d'amélioration : Contactez votre praticien.

Symptôme : La phonation devient de plus en plus difficile.

Raisons les plus communes : obstruction de la valve, gonflement des tissus dans la gorge (par exemple au cours d'une radiothérapie).

Mesures :

1. Nettoyez la prothèse à l'aide de la brosse Provox Brush et/ou de la poire de rinçage Provox Flush. Il peut subsister des restes de nourriture qui augmentent la résistance au flux d'air.

2. Si cela n'améliore pas les choses : Contactez immédiatement votre praticien.

Symptômes : Douleur, chaleur, gonflement et/ou éruption cutanée (simultanément ou séparément) dans la région de la prothèse ou du trachéostome.

Raisons les plus communes : inflammation tissulaire et/ou infections.

Mesures : Contactez immédiatement votre praticien.

Symptômes : Traces de sang observées sur la brosse après le brossage.

Raisons les plus communes : Inflammation et infection des tissus au niveau de l'œsophage.

Mesures : Contactez immédiatement votre praticien.

5. Informations supplémentaires

5.1 Voyage aérien

Ce dispositif contient 2 aimants ; taille 1 à 1,5 mm ; poids 0,15 à 0,2 grammes. Il est improbable que les aimants déclenchent les détecteurs de métaux tels que ceux présents dans les aéroports, mais afin d'éviter tout incident il est conseillé d'informer le personnel de sécurité à l'avance de la présence de votre prothèse phonatoire et de présenter votre carte utilisateur Provox ActiValve.

5.2 Date d'impression et informations d'assistance à l'utilisateur

Le numéro de version de ce mode d'emploi ainsi que les informations sur le fabricant et les coordonnées se trouvent sur la quatrième de couverture.

6. Signalement

Notez que tout incident grave survenu en relation avec le dispositif doit être signalé au fabricant et à l'autorité nationale du pays dans lequel l'utilisateur et/ou le patient réside.

Sistema di riabilitazione vocale Provox ActiValve

Gestione del passaggio dell'aria attraverso lo stoma

Situazioni di emergenza

È importante informare il personale di primo soccorso di essere portatori di un sistema di riabilitazione vocale, in modo che ossigeno e respirazione artificiale siano somministrati attraverso lo stoma anziché attraverso bocca e naso.

Si raccomanda ai pazienti e ai medici di scaricare le linee guida sulla respirazione artificiale alla pagina

www.atosmedical.com/rescuebreathing

La confezione di Provox ActiValve include una scheda di emergenza di colore giallo brillante e un tesserino paziente Provox ActiValve.

Si raccomanda di tenere entrambi sempre con sé.

Altre situazioni

Se è necessario sottoporsi a procedure che richiedono intubazione (inserimento nella trachea di un tubo per la respirazione), è fondamentale informare l'anestesista e il medico, che eseguiranno la procedura, di essere portatori di un sistema di riabilitazione vocale. È importante che comprendano che la protesi fonatoria deve rimanere in posizione. In caso di rimozione, i liquidi provenienti dalla bocca, dall'esofago o dallo stomaco potrebbero penetrare nella trachea.

È fondamentale che la cannula di intubazione sia inserita e rimossa attentamente, in modo che la protesi fonatoria non si sposti o fuoriesca.

1. Glossario

Medico/personale clinico: medico specializzato, logopedista o infermiere specializzato nelle procedure di riabilitazione vocale.

HME: scambiatore di calore e umidità (Heat and Moisture Exchanger). Dispositivo che trattiene il calore e l'umidità dell'aria espirata e la rilascia all'aria inspirata.

Segmento FE: segmento faringo-esofageo. Parte del tubo digerente in cui viene prodotto il suono attraverso la vibrazione dei tessuti quando si utilizza una protesi fonatoria.

Fistola TE: fistola tracheoesofagea. Piccola apertura artificiale creata tra la trachea e il tubo digerente in cui viene posizionata la protesi fonatoria.

Tracheostoma: apertura per la respirazione praticata nella parte anteriore del collo, nel punto in cui la trachea si connette alla cute (chiamata anche "stoma").

Protesi fonatoria: valvola monodirezionale che viene inserita nella fistola TE. La valvola è provvista di una flangia su entrambi i lati, che le consente di rimanere in posizione. L'aria può essere reindirizzata attraverso la valvola verso il tubo digerente per consentire la fonazione, riducendo il rischio di ingresso di cibo e liquidi nella trachea.

2. Informazioni descrittive

2.1 Istruzioni per l'uso

Provox ActiValve è una protesi fonatoria a permanenza non sterile indicata per l'inserimento anterograde in una fistola guarita per la riabilitazione vocale a seguito di laringectomia totale. Il dispositivo è destinato a pazienti che hanno subito perdite perivalvolari precoci con le precedenti protesi fonatorie (durata inferiore a 4–8 settimane). Il dispositivo riduce la necessità di sostituzioni frequenti nella maggior parte degli utenti, ma non in tutti.

2.2 CONTROINDICAZIONI

La protesi Provox ActiValve NON è indicata per:

- Inserimento in una fistola nuova
- Posizionamento durante esami RM (Imaging tramite risonanza magnetica) o radioterapia

2.3 Descrizione del dispositivo

La protesi fonatoria Provox ActiValve [Fig. 1] è una valvola monodirezionale monouso non sterile che utilizza una fistola TE aperta per la fonazione e riduce il rischio di ingresso di liquidi e cibo nella trachea. È provvista di due flange di tenuta [A], un anello blu [B] per una maggiore stabilità e una guarnizione con superficie uniforme per il flap valvolare [C]. La protesi non costituisce un impianto permanente e richiede sostituzioni periodiche.

È realizzata in silicone medicale e materiale fluoroplastico radiopaco. Nessuna parte del dispositivo è realizzata in gomma di lattice naturale. Il diametro esterno è 7,5 mm (22,5 Fr). Provox ActiValve è disponibile in lunghezze di 4,5, 6, 8, 10 e 12,5 mm e con diverse forze di apertura della valvola. La forza di apertura dipende dai magneti [D] presenti nell'anello e dal

flap valvolare (i magneti non sono regolabili). Dato che la semplice ispezione visiva non consente di determinare le forze di apertura, il dispositivo viene fornito con due tesserini paziente Provox ActiValve, che contengono informazioni importate sulla protesi fonatoria. In caso di smarrimento contattare il medico per richiedere un tesserino paziente sostitutivo.

I seguenti elementi contenuti nella confezione sono indicati per l'uso da parte del paziente e devono essere consegnati dal medico:

2 spazzolini Provox Brush

1 tappo Provox Plug

1 lubrificante Provox ActiValve Lubricant

1 scheda di emergenza

2 tesserini paziente Provox ActiValve

2.4 AVVERTENZE

La protesi fonatoria Provox ActiValve può essere deglutita accidentalmente. In tal caso, contattare il proprio medico per ricevere assistenza.

Il sistema di riabilitazione vocale Provox ActiValve o relativi componenti possono essere aspirati accidentalmente (il dispositivo cade nella trachea). I sintomi immediati possono includere tosse, soffocamento o affanno. In tal caso, chiedere immediatamente assistenza medica. Un corpo estraneo nelle vie aeree può causare gravi complicazioni e deve essere rimosso da un medico. **Attenzione:** il dispositivo potrebbe essere aspirato o deglutito senza manifestare sintomi immediati ad eccezione di una lieve tosse. Se il dispositivo non è visibile nella fistola, contattare immediatamente il medico sia in caso di presenza che di assenza di sintomatologia.

Il riutilizzo e il ricondizionamento possono causare la contaminazione incrociata e danni al dispositivo, con conseguenti possibili lesioni ai pazienti.

Non modificare la protesi fonatoria Provox ActiValve né relativi accessori. Tale azione potrebbe aumentare il rischio di aspirazione o ingestione del dispositivo.

Non modificare la protesi fonatoria Provox ActiValve né relativi accessori.

2.5 PRECAUZIONI

Rivolgersi a un medico nei seguenti casi:

- Perdite perivalvolari o attraverso la protesi (tosse e/o variazione del colore del muco).
- Difficoltà di fonazione (maggiore sforzo e/o suoni vocali più deformati).
- Segni di infiammazione o di alterazione dei tessuti nella regione della fistola (dolore, calore, gonfiore, tracce di sangue sullo spazzolino dopo lo spazzolamento).
- Alterazioni dell'aspetto del materiale della protesi fonatoria o dell'inserimento nella fistola.
- Tosse frequente mentre il paziente beve e la pulizia della protesi fonatoria non risolve il problema. Questo può essere un segno precoce di perdita perivalvolare o attraverso la protesi.
- Sanguinamento o proliferazione di tessuto attorno al dispositivo.
- Dolore persistente o fastidio nell'area attorno a Provox ActiValve.
- Tosse cronica, difficoltà a respirare o presenza di sangue nel muco. Questi segni possono essere indicativi di condizioni di salute gravi che richiede assistenza medica.

Per ridurre il rischio di infezione:

Assicurarsi di avere le mani ben pulite e asciutte prima di avvicinarle all'area del tracheostoma e prima di pulire la protesi fonatoria e/o gli accessori.

Tenere puliti tutti i dispositivi che potrebbero entrare o essere a contatto con il tracheostoma e la protesi fonatoria.

Per ridurre il rischio di danni al prodotto:

Per pulire e maneggiare la protesi, usare solo accessori originali Provox progettati per l'uso con il sistema Provox ActiValve.

L'uso di altri dispositivi può causare lesioni personali o danneggiare la protesi fonatoria.

Pulire e lubrificare la protesi fonatoria secondo le istruzioni, per contribuire a mantenerne la funzionalità.

Usare il Lubrificante Provox ActiValve esclusivamente per la lubrificazione della protesi fonatoria Provox ActiValve. L'uso di altri lubrificanti potrebbe danneggiare la protesi.

Per ridurre il rischio di danni:

Informare sempre al personale medico di essere portatori di protesi fonatoria Provox ActiValve e mostrare il proprio tesserino paziente Provox ActiValve prima di qualsiasi tipo di trattamento o visita medica. Vedere anche la sezione Controindicazioni.

Tenere il Lubrificante Provox ActiValve e altri accessori fuori dalla portata di bambini e animali, che potrebbero inalarli o deglutirli con conseguenti danni.

Non cercare di modificare Provox ActiValve di propria iniziativa. Il dispositivo deve essere rimosso e sostituito esclusivamente da un professionista del settore sanitario.

3. Istruzioni per l'uso

3.1 Utilizzo di Provox ActiValve per la fonazione

In alcune persone durante la deglutizione o l'inalazione può svilupparsi una pressione negativa nella faringe o nell'esofago. Ciò può causare l'apertura accidentale della valvola. I magneti presenti nella valvola aumentano la pressione iniziale necessaria per aprirla, impedendone l'apertura accidentale.

Il paziente potrebbe pertanto dover applicare maggiore forza per iniziare a parlare. Una volta superata la resistenza iniziale dovuta ai magneti, Provox ActiValve può essere utilizzata come qualsiasi altra protesi fonatoria Provox per la fonazione.

3.2. Pulizia e manutenzione

Per consentire la fonazione, la protesi fonatoria deve essere pulita, in modo da consentire il passaggio dell'aria. La pulizia regolare della protesi contribuisce inoltre a prolungare la durata del dispositivo.

Spazzolare la protesi con lo spazzolino Provox Brush due volte al giorno e dopo i pasti, per rimuovere muco e residui di cibo. L'irrigazione della protesi con l'irrigatore Provox Flush aiuta inoltre a pulire il dispositivo.

Una volta al giorno, dopo la pulizia al mattino, lubrificare il lume interno della protesi fonatoria con una goccia di lubrificante Provox ActiValve Lubricant utilizzando uno spazzolino Provox Brush. Prima dell'uso, leggere le istruzioni fornite con il lubrificante.

Attenzione:

- Non applicare il Lubrificante Provox ActiValve dal flacone direttamente alla protesi fonatoria, poiché potrebbe depositarsi nei polmoni [Fig. 2]. Tale azione o l'utilizzo eccessivo o troppo frequente del lubrificante può causare tosse violenta, polmonite o gravi problemi respiratori.
- Non allargare l'apertura del flacone del Lubrificante Provox ActiValve.

3.3 Durata del dispositivo

La durata del dispositivo varia a seconda delle singole condizioni biologiche, pertanto non è possibile prevedere la durata dell'integrità strutturale su un periodo di tempo maggiore. Il materiale del dispositivo è soggetto all'influenza di batteri e lieviti, che possono ridurre l'integrità strutturale.

L'aggiunta di determinati alimenti alla dieta, quali ad esempio latticello, probiotici e bevande analcoliche a base di caffeina potrebbe ridurre lo sviluppo di batteri e lieviti sulla protesi fonatoria. Un'alimentazione equilibrata è importante; rivolgersi al medico per eventuali raccomandazioni riguardo a modifiche del regime alimentare.

3.4 Accessori

Gli spazzolini **Provox Brush/Provox Brush XL** vengono utilizzati per la pulizia dell'interno della protesi o per l'applicazione del Lubrificante Provox ActiValve.

L'irrigatore **Provox Flush** è un dispositivo di pulizia supplementare per l'irrigazione della protesi.

Il tappo **Provox Plug** è un dispositivo di primo soccorso per fermare temporaneamente eventuali perdite attraverso la protesi. Il lubrificante **Provox ActiValve** consente di lubrificare la superficie valvolare situata all'interno di Provox ActiValve.

3.5 Smaltimento

Durante lo smaltimento di un dispositivo medicale usato, attenersi sempre alle pratiche mediche e alle disposizioni nazionali relative ai rifiuti a rischio biologico.

4. Eventi avversi e informazioni sulla risoluzione dei problemi in base ai sintomi

Le condizioni che richiedono la sostituzione della protesi fonatoria Provox ActiValve includono perdite attraverso la protesi, blocco della protesi, proliferazione di batteri o candida con conseguente degradazione dei materiali e/o necessità di esercitare una pressione eccessiva per parlare, oppure condizioni di carattere medico, ad esempio relative a problemi della fistola.

Il medico è tenuto a informare il paziente in merito ai rischi e ai benefici della riabilitazione vocale tramite protesi e a fornire indicazioni su come comportarsi in caso di eventi avversi. Se non si è sicuri di avere compreso perfettamente tutte le istruzioni, chiedere ulteriori chiarimenti al proprio medico.

Sintomo: tosse (causata da deglutizione di liquidi o alimenti) con la protesi in posizione.

Cause più comuni: perdite perivalvolari o attraverso la protesi.

Soluzioni:

1. Pulire la protesi con lo spazzolino Provox Brush e, se possibile, anche con l'irrigatore Provox Flush. Potrebbero essere presenti residui di cibo che impediscono la corretta chiusura della valvola.

Se la perdita continua:

2. Osservare la protesi mentre si beve. Cercare di stabilire se la perdita proviene dal centro o è perivalvolare.
 - a) Se si ritiene che la perdita provenga dal centro, è possibile utilizzare il tappo Provox Vega Plug mentre si beve e si mangia, per evitare perdite.
 - b) Se si ritiene che la perdita sia perivalvolare o se il tappo non arresta la perdita, informare il medico e richiedere la sostituzione della protesi.

Sintomo: talvolta non è possibile parlare (la valvola non si apre).

Causa probabile: il flap aderisce al corpo valvolare, impedendone l'apertura. La probabilità che questo si verifichi è proporzionale al periodo di non utilizzo della valvola (ad es. la notte).

Soluzioni: pulire la protesi fonatoria e lubrificarla (vedere la sezione Pulizia e manutenzione). Se la pulizia e la lubrificazione non risolvono il problema: contattare il medico.

Sintomo: la fonazione diventa sempre più difficile.

Cause più comuni: Ostruzione della valvola, gonfiore dei tessuti nella gola (ad es. durante la radioterapia)

Soluzioni:

1. Pulire la protesi con lo spazzolino Provox Brush e/o l'irrigatore Provox Flush. Potrebbero essere presenti residui di cibo che aumentano la resistenza al flusso d'aria.
2. Se il problema non viene risolto: contattare immediatamente il medico.

Sintomi: dolore, calore, gonfiore ed eritema (insieme o singolarmente) nell'area della protesi o dello stoma.

Cause più comuni: infiammazione e infezioni dei tessuti.

Soluzioni: contattare immediatamente il medico.

Sintomi: tracce di sangue visibili sullo spazzolino dopo lo spazzolamento.

Cause più comuni: infiammazione e infezioni dei tessuti sul lato esofageo.

Soluzioni: contattare immediatamente il medico.

5. Informazioni aggiuntive

5.1 Viaggio in aereo

Il dispositivo include 2 magneti di dimensione 1–1,5 mm e peso pari a 0,15–0,2 grammi. I magneti generalmente non vengono rilevati dai metal detector presenti negli aeroporti, tuttavia, per evitare inconvenienti, si consiglia di comunicare preventivamente al personale di sicurezza di essere portatori di protesi fonatoria e di mostrare il tesserino paziente Provox ActiValve.

5.2 Data di stampa e informazioni sull'assistenza agli utilizzatori

Il numero di versione delle presenti istruzioni per l'uso e i dati di contatto del produttore si trovano sulla retrocopertina.

6. Segnalazioni

Si prega di notare che qualsiasi incidente grave verificatosi in relazione al dispositivo deve essere segnalato al fabbricante e all'autorità nazionale del Paese in cui risiede l'utente e/o il paziente.

El sistema de rehabilitación de la voz Provox ActiValve

Tratamiento de las vías aéreas del estoma

Situaciones de emergencia

Es importante que el personal de urgencias sepa que usted lleva un estoma respiratorio. Esto les ayudará a determinar que la ayuda respiratoria de salvamento y el oxígeno deben administrarse a través del estoma y no a través de la boca o la nariz. Le recomendamos que tanto usted como su médico se descarguen las directrices para la ayuda respiratoria de salvamento en www.atosmedical.com/rescubreathing

En el paquete de su Provox ActiValve encontrará una tarjeta de emergencia amarilla brillante y la tarjeta de usuario de la Provox ActiValve. Le recomendamos que lleve consigo en todo momento tanto la tarjeta de emergencia como la tarjeta de usuario de Provox ActiValve.

Situaciones opcionales

Si debe someterse a una intervención que requiere intubación (colocación de un tubo de respiración dentro de la tráquea), es muy importante que el anestesiólogo y el médico que realice la intervención sean conscientes de que usted lleva un estoma respiratorio y utiliza una prótesis de voz. Es importante que comprendan que la prótesis de voz debe permanecer en su sitio. Si se retira, los fluidos de la boca, el esófago o el estómago podrían entrar en la tráquea.

Es muy importante que el tubo de intubación se inserte y extraiga con cuidado, de modo que la prótesis de voz no se desplace ni se salga.

1. Glosario

Médico: Profesional de la medicina, logopeda debidamente cualificado o enfermero clínico especialista formado en procedimientos para la rehabilitación de la voz.

HME: Intercambiador de calor y humedad (Heat and Moisture Exchanger). Dispositivo que retiene el calor y la humedad del aire exhalado, y que los devuelve al aire cuando inspira.

Segmento PE: Segmento faríngeo esofágico. La parte del esófago en donde se crea el sonido mediante la vibración del tejido cuando se utiliza una prótesis de voz.

Punción TE: Punción traqueoesofágica. Pequeña abertura artificial creada entre la tráquea y el esófago en la que se coloca la prótesis de voz.

Traqueostoma: Abertura respiratoria en la parte delantera del cuello, en la que la tráquea se conecta a la piel (llamada también «estoma»).

Prótesis de voz: Válvula de una vía que se inserta en la punción traqueoesofágica. La válvula dispone de una pestaña a cada lado que le permite permanecer en una posición estable. El aire puede redirigirse a través de la válvula hacia el esófago para hablar, al tiempo que se reduce el riesgo de la entrada de comida o líquidos en la tráquea.

2. Información descriptiva

2.1 Instrucciones de uso

La Provox ActiValve es una prótesis de voz permanente no estéril diseñada para su inserción anterógrada en una punción cicatrizada para la rehabilitación de la voz tras una laringectomía total. El dispositivo está destinado a pacientes que experimentan fugas precoces con las primeras prótesis de voz (vida útil del dispositivo inferior a 4–8 semanas). El dispositivo reduce la necesidad de sustituciones frecuentes en la mayoría de los pacientes, pero no en todos.

2.2 CONTRAINDICACIONES

La Provox ActiValve NO está pensada para:

- su inserción en una punción recién realizada,
- colocarse durante un examen IRM (Imagen por resonancia magnética) o durante sesiones de radioterapia.

2.3 Descripción del dispositivo

La prótesis de voz Provox ActiValve [Figura 1] es una válvula de un solo uso y de una vía, no estéril que mantiene una punción traqueoesofágica abierta para el habla, al tiempo que reduce el riesgo del acceso de líquidos o comida en la tráquea. Dispone de dos pestañas de retención [A] y un anillo azul [B] que añade estabilidad y una superficie de sellado homogénea para la lengüeta de la válvula [C]. La prótesis no es un implante permanente y necesita sustituirse cada cierto tiempo.

El dispositivo está fabricado con goma de silicona de tipo médico y fluoroplástico radiopaco. Ninguna parte del dispositivo está fabricada con látex natural. El diámetro exterior es de 7,5 mm (22,5 Fr). La Provox ActiValve está disponible con unas

longitudes de 4,5, 6, 8, 10 y 12,5 mm y se presenta con diferentes fuerzas de apertura de la válvula. Los imanes [D] del anillo y la lengüeta de la válvula determinan la fuerza de apertura (los imanes no son ajustables). Debido a que las fuerzas de apertura no resultan aparentes mediante una inspección visual simple, el dispositivo se acompaña de unas tarjetas de usuario de Provox ActiValve que proporcionan también información importante acerca de la prótesis de voz. Si hubiera perdido las tarjetas de usuario, póngase en contacto con su médico para que pueda facilitarle otras de sustitución.

Los siguientes elementos del envase están pensados para uso del paciente y su médico deberá entregárselos:

- 2 cepillos Provox Brush,
- 1 tapón Provox Plug,
- 1 lubricante Provox ActiValve Lubricant,
- 1 tarjeta de emergencia,
- 2 tarjetas de usuario de Provox ActiValve.

2.4 ADVERTENCIAS

Puede producirse la ingestión accidental de la prótesis de voz Provox ActiValve. Si sucediera, póngase en contacto con su médico, quien le aconsejará al respecto.

Puede producirse la aspiración accidental (esto es, el dispositivo cae dentro de la tráquea) de la prótesis de voz Provox ActiValve o de otros componentes del sistema de rehabilitación de la voz Provox ActiValve. Entre los síntomas inmediatos pueden incluirse tos, asfixia o respiración sibilante. Si se produce esta circunstancia busque atención médica inmediatamente. Un cuerpo extraño en las vías respiratorias puede provocar complicaciones graves y debe ser retirado por un médico.

Aviso: Podría aspirar o tragar el dispositivo sin sufrir síntomas inmediatos, o solo una tos leve. Si no puede ver el dispositivo en la punción, póngase de inmediato en contacto con su médico, tanto si no presenta síntomas, como si estos son graves o leves.

La reutilización y el reprocesamiento pueden provocar contaminación cruzada y el deterioro del dispositivo, lo que podría provocar lesiones al paciente.

No modifique la prótesis de voz Provox ActiValve ni ninguno de sus accesorios. Esto puede aumentar el riesgo de aspiración o ingestión del dispositivo.

No modifique la prótesis de voz Provox ActiValve ni ninguno de sus accesorios.

2.5 PRECAUCIONES

Informe a su médico si:

- Existe una fuga a través, o alrededor de la prótesis (tos y/o cambio de color de la mucosidad).
- Le resulta difícil hablar (un mayor esfuerzo y/o la voz suena más forzada).
- Existen indicios de inflamación o cambios en el tejido de la zona de la punción (dolor, calor, hinchazón, restos de sangre en el cepillo tras el cepillado).
- Aprecia cambios en el aspecto del material de la prótesis de voz o en la forma en la que se ajusta en la punción.
- Sufre frecuentes golpes de tos cuando bebe, y limpiar la prótesis de voz no resuelve esta situación. Esto podría ser un signo precoz de fugas a través de la prótesis de voz o alrededor de la misma.
- Sufre hemorragias o hiperplasia de tejido alrededor del dispositivo.
- Experimenta dolor persistente o incomodidad en la zona de la Provox ActiValve.
- Padece de tos crónica o problemas al respirar, o presenta sangre en la mucosidad. Estos pueden ser indicios de una situación grave que requiere atención médica.

Para reducir el riesgo de infección:

Asegúrese de que tiene las manos completamente limpias y secas antes de colocarlas en la zona del traqueostoma, y antes de limpiar la prótesis de voz o los accesorios.

Mantenga limpios todos los dispositivos que puedan entrar en contacto o estén en contacto con su traqueostoma y la prótesis de voz.

Para reducir el riesgo de daños al producto:

Utilice únicamente accesorios Provox originales indicados para su uso con la Provox ActiValve al manipular y limpiar la prótesis. **Otros dispositivos pueden provocar lesiones personales o daños a la prótesis de voz.**

Limpie y lubrique la prótesis de voz según las indicaciones, con ello ayudará a mantener su funcionalidad.

Utilice solo el Provox ActiValve Lubricant (lubricante) para lubricar la prótesis de voz Provox ActiValve. Otros lubricantes podrían dañar la prótesis de voz.

Para reducir el riesgo de lesiones:

Informe siempre al personal médico de la Provox ActiValve y muéstreles su tarjeta de usuario Provox ActiValve antes de someterse a cualquier tratamiento o examen médico. Consulte además la sección Contraindicaciones.

Mantenga el Provox ActiValve Lubricant (lubricante) y otros accesorios fuera del alcance de los niños y las mascotas, ya que en caso de inhalarlos o ingerirlos pueden sufrir lesiones.

No intente cambiar la Provox ActiValve en casa o usted mismo. El dispositivo únicamente deberá retirarlo y sustituirlo un profesional sanitario.

3. Instrucciones de uso

3.1 Cómo usar la Provox ActiValve para hablar

Algunas personas presentan presión negativa en la faringe/esófago durante la deglución o inhalación. Esto puede provocar la apertura no intencionada de la válvula. Los imanes de la válvula aumentan la presión inicial necesaria para abrirla. De este modo, se impide una apertura no intencionada de la misma.

Como consecuencia puede notar que necesita más fuerza para comenzar a hablar. Una vez que se supera la resistencia magnética inicial, la Provox ActiValve se utiliza de forma similar a otras prótesis de voz Provox para hablar.

3.2 Limpieza y mantenimiento

Para que pueda hablar con su prótesis de voz deberá estar limpia de forma que el aire pueda atravesarla. Una limpieza periódica de la prótesis también ayuda a prolongar la vida útil del dispositivo.

Cepille la prótesis con el Provox Brush (cepillo) dos veces al día y después de cada comida para eliminar la mucosidad y los restos de comida de la prótesis. Lavar la prótesis con el Provox Flush (irrigador) también ayuda a mantener limpio el dispositivo.

Una vez al día, después de la limpieza de la mañana, lubrique también el lumen interno de la prótesis de voz con una gota de Provox ActiValve Lubricant (lubricante) y el Provox Brush (cepillo). Antes de usarlo, lea las instrucciones de uso que se adjuntan con el Provox ActiValve Lubricant (lubricante).

Aviso:

- No aplique el Provox ActiValve Lubricant (lubricante) directamente desde el frasco en la prótesis de voz, ya que podría depositar el líquido en los pulmones [Figura 2]. Este hecho o un uso excesivo de lubricante, tanto en cantidad como en frecuencia, puede dar lugar a tos, neumonía o problemas respiratorios graves.
- No agrande la abertura del frasco del Provox ActiValve Lubricant (lubricante).

3.3 Vida útil del dispositivo

En función de las circunstancias biológicas individuales, la vida útil del dispositivo varía y no resulta posible predecir la integridad estructural del mismo a largo plazo. El material del dispositivo resultará afectado, por ejemplo, por bacterias y hongos, y la integridad estructural llegará un momento en que se deteriore.

Añadir ciertos productos alimenticios como el suero lácteo, probióticos y refrescos con cafeína puede reducir la aparición de bacterias y hongos en la prótesis de voz. Una dieta equilibrada es importante, hable con su médico en caso de recomendarse cambios en su dieta.

3.4 Accesorios

El **Provox Brush/Provox Brush XL (cepillo)** se utiliza para limpiar el interior de la prótesis o para aplicar el Provox ActiValve Lubricant (lubricante).

El **Provox Flush (irrigador)** es un dispositivo de limpieza adicional que permite lavar la prótesis.

El **Provox Plug (tapón)** es una herramienta de primeros auxilios que bloquea temporalmente los escapes que se producen a través de la prótesis.

El **Provox ActiValve Lubricant (lubricante)** sirve como lubricante para la superficie interior de la válvula Provox ActiValve.

3.5 Eliminación

Al desechar un dispositivo médico usado, siga siempre la práctica médica y los requisitos nacionales sobre peligros biológicos.

4. Efectos adversos e información para la solución de problemas por síntomas

Entre las indicaciones para la sustitución de la prótesis de voz Provox ActiValve figuran las fugas a través de la válvula, el bloqueo de la prótesis, la proliferación bacteriana o fúngica que derive en degradación de los materiales o una presión excesiva necesaria para hablar. Entre otros motivos para la sustitución pueden incluirse situaciones médicas, como problemas con la vía perforada.

Es responsabilidad de su médico informarle de los riesgos y ventajas de la rehabilitación de la voz protésica y de instruirle sobre cómo actuar en caso de experimentar efectos adversos. Si no está seguro de haber entendido por completo todas las instrucciones, solicite a su médico que le aclare las posibles dudas.

Síntoma: Tos (creada al beber o comer) con la prótesis colocada.

Las razones más habituales son: Fuga a través o alrededor de la prótesis.

Medidas:

1. Limpiar la prótesis con el Provox Brush (cepillo) y si es posible también con el Provox Flush (irrigador). Pueden existir restos de comida que impidan que la válvula se cierre debidamente.

Si continúan las fugas:

2. Observe la prótesis mientras bebe. Intente identificar si las fugas se producen por el centro o por la periferia de la prótesis.

a) Si cree que la fuga se produce por el centro puede usar el Provox Vega Plug (tapón) mientras come y bebe para impedir la fuga. Notifique a su médico que necesita una nueva prótesis.

b) Si cree que la fuga se produce por los bordes o si el tapón no detiene la fuga, notifique a su médico que puede que sufra una fuga alrededor de la prótesis.

Síntoma: Hablar a veces es imposible (la válvula no se abre).

Causa probable: La tapa de la válvula se pega al asiento de esta, impidiendo la apertura de la válvula. Esto se hace mucho más probable cuanto más tiempo haya estado la válvula sin usarse (p. ej. durante la noche).

Medidas: Limpie la prótesis de voz y lubríquela (consulte la sección de Limpieza y mantenimiento). Si la limpieza y la lubricación no ayudan: Póngase en contacto con su médico.

Síntoma: Cada vez resulta más difícil hablar.

Las razones más habituales son: Obstrucción de la válvula, hinchazón del tejido de la garganta (p. ej. durante la radioterapia).

Medidas:

1. Limpiar la prótesis con el Provox Brush (cepillo) y o lavar con el Provox Flush (irrigador). Pueden existir restos de comida que aumentan la resistencia del flujo de aire.

2. Si eso no ayuda: Póngase en contacto con su médico de inmediato.

Síntomas: Dolor, calor, inflamación y sarpullido (todo junto o por separado) en la zona de la prótesis o del estoma.

Las razones más habituales son: Inflamación e infecciones del tejido.

Medidas: Póngase en contacto con su médico de inmediato.

Síntomas: Se observan trazas de sangre en el cepillo después del cepillado.

Las razones más habituales son: Inflamación e infecciones del tejido en la zona esofágica.

Medidas: Póngase en contacto con su médico de inmediato.

5. Información adicional

5.1 Viajes aéreos

Este dispositivo contiene 2 imanes, tamaño 1–1,5 mm y peso 0,15–0,2 gramos. Es poco probable que los imanes hagan saltar los detectores de metal del tipo utilizado en los aeropuertos, pero para evitar incidentes podría resultar aconsejable informar al personal de seguridad por adelantado de su prótesis de voz y mostrarle su tarjeta de usuario de Provox ActiValve.

5.2 Fecha de impresión e información de asistencia al usuario

El número de la versión de estas instrucciones de uso y la información de contacto del fabricante se encuentran en la contraportada.

6. Notificación

Tenga en cuenta que cualquier incidente grave que se haya producido en relación con el dispositivo se comunicará al fabricante y a la autoridad nacional del país en el que resida el usuario y/o el paciente.

Sistema de reabilitação da voz Provox ActiValve

Gestão das vias respiratórias através do estoma

Situações de emergência

É importante que o pessoal dos serviços de emergência saiba que respira pelo pescoço. Isto ajudá-los-á a determinar que o oxigénio e a respiração boca a boca têm de ser administrados no estoma e não na sua boca ou nariz.

Recomendamos que você e o profissional de saúde responsável por si transfiram as diretrizes para a respiração boca a boca a partir de

www.atosmedical.com/rescuebreathing

Na embalagem do seu Provox ActiValve irá encontrar um cartão de emergência amarelo brilhante e um cartão do utilizador Provox ActiValve. Recomendamos que mantenha o cartão de emergência e o cartão do utilizador Provox ActiValve sempre consigo.

Situações eletivas

Caso necessite de ser submetido a um procedimento que requeira intubação (colocação de um tubo de respiração na traqueia), é muito importante que o anestesista e o médico que estão a realizar o procedimento tenham noção de que respira pelo pescoço e de que está a utilizar uma prótese fonatória. É importante que estes percebam que a prótese fonatória deve permanecer colocada. Se for removida, os fluidos presentes na boca, esófago ou estomago podem entrar na traqueia.

É muito importante que o tubo de intubação seja inserido e removido cuidadosamente, de modo que a prótese fonatória não se desaloje nem saia.

1. Glossário

Profissional de saúde — Profissional médico, terapeuta/patologista da fala e da linguagem licenciado ou enfermeiro especialista clínico com formação nos procedimentos de reabilitação da voz.

HME — permutador de calor e humidade (Heat and Moisture Exchanger). Dispositivo que retém o calor e a humidade do ar expirado, os quais são recolocados no ar quando inspira.

Segmento FE — Segmento faringoesofágico. A parte do esófago onde o som é criado pela vibração dos tecidos quando é utilizada uma prótese fonatória.

Punção TE — Punção traqueoesofágica. Pequena abertura artificial criada entre a traqueia e o esófago na qual é colocada prótese fonatória.

Traqueostoma — Abertura para respirar na parte frontal do pescoço, onde a traqueia está ligada à pele (também conhecido por «estoma»).

Prótese fonatória — Uma válvula unidirecional que é inserida na punção TE. A válvula inclui uma flange em qualquer um dos lados que permite à válvula permanecer no local. O ar pode ser redirecionado através da válvula ou do esófago para falar, reduzindo, simultaneamente, o risco de entrada de alimentos ou líquidos na traqueia.

2. Informação descritiva

2.1. Indicações de utilização

O Provox ActiValve é uma prótese fonatória permanente, não esterilizada, que se destina a inserção anterógrada, numa punção cicatrizada para reabilitação da voz, após uma laringectomia total. O dispositivo destina-se a doentes sujeitos a fuga precoce com as próteses fonatórias anteriores (vida útil do dispositivo inferior a 4–8 semanas). O dispositivo reduz a necessidade de substituições frequentes na maior parte dos utilizadores, mas não em todos.

2.2 CONTRAINDICAÇÕES

O Provox ActiValve NÃO se destina a:

- inserção numa punção recente,
- manter-se colocado durante um exame de RM (ressonância magnética) ou durante radioterapia.

2.3 Descrição do dispositivo

A prótese fonatória Provox ActiValve [fig. 1] é uma válvula unidirecional, não esterilizada e para uma única utilização, que mantém uma punção TE aberta para falar, ao mesmo tempo que reduz o risco de entrada de fluidos e alimentos na traqueia. Inclui duas flanges de retenção [A] e um anel azul [B] que adiciona estabilidade e uma superfície de vedação uniforme para a aba da válvula [C]. A prótese não constitui um implante permanente e precisa de ser substituída periodicamente.

O dispositivo é fabricado em borracha de silicone para uso médico e fluoroplástico radiopaco. Nenhum componente do dispositivo é fabricado com látex de borracha natural. O diâmetro externo é de 7,5 mm (22,5 Fr). O Provox ActiValve encontra-se disponível nos tamanhos 4,5, 6, 8, 10 e 12,5 mm e é fornecido com diferentes forças de abertura da válvula. Os ímãs [D] existentes no anel e na aba da válvula determinam a força de abertura (os ímãs não são ajustáveis). Uma vez que as forças de abertura não são aparentes perante uma simples inspeção visual, o dispositivo é fornecido com cartões do utilizador Provox ActiValve que também facultam informações importantes relativas à prótese fonatória. Caso tenha perdido os cartões do utilizador, contacte o seu profissional de saúde que poderá proceder à respetiva substituição.

Os itens que se seguem, incluídos na embalagem, destinam-se a utilização do doente e devem ser-lhe entregues pelo seu profissional de saúde:

- 2 escovas Provox Brush,
- 1 tampão Provox Plug,
- 1 lubrificante Provox ActiValve Lubricant,
- 1 cartão de emergência,
- 2 cartões do utilizador Provox ActiValve.

2.4 ADVERTÊNCIAS

Poderá ocorrer a ingestão acidental da prótese fonatória Provox ActiValve. Se isto acontecer, contacte o seu médico que lhe dará mais indicações.

Poderá ocorrer aspiração acidental (isto é, o dispositivo cair para a traqueia) da prótese fonatória Provox ActiValve ou de outros componentes do sistema de reabilitação da voz Provox ActiValve. Os sintomas imediatos poderão incluir tosse, asfixia ou respiração sibilante. Se isto acontecer, procure tratamento médico imediato. A presença de um corpo estranho nas vias aéreas pode provocar complicações graves e obriga à remoção por parte de um profissional de saúde.

Atenção: Poderá aspirar ou engolir o dispositivo sem sentir quaisquer sintomas imediatos ou apenas uma tosse ligeira. Se o dispositivo não estiver visível na punção, contacte imediatamente o profissional de saúde quer tenha sintomas graves, ligeiros ou nenhuns.

A reutilização e o reprocessamento podem causar contaminação cruzada e danificar o dispositivo, o que poderá provocar lesões no doente.

Não modifique a prótese fonatória Provox ActiValve nem quaisquer dos respetivos acessórios. Isto poderá aumentar o risco de aspiração ou ingestão do dispositivo.

Não modifique a prótese fonatória Provox ActiValve nem quaisquer dos respetivos acessórios.

2.5 PRECAUÇÕES

Consulte o seu profissional de saúde se:

- Existir uma fuga através ou à volta da prótese (tosse e/ou alteração da cor das mucosidades).
- Falar se tornar difícil (maior esforço e/ou a voz parece mais forçada).
- Existirem sinais de inflamação ou alterações nos tecidos na região da punção (dor, calor, inchaço, vestígios de sangue na escova depois de escovar).
- Observar alterações no aspeto do material da prótese fonatória ou na forma como encaixa na punção.
- Tossir frequentemente quando bebe e a limpeza da prótese não resolver o problema. Este pode ser um primeiro sinal de fuga através ou à volta da prótese.
- Tiver hemorragia ou um crescimento excessivo do tecido à volta do dispositivo.
- Tiver dores persistentes ou desconforto na região do Provox ActiValve.
- Verificar tosse crónica, problemas ao respirar ou sangue nas mucosidades. Estes podem ser sinais de uma doença grave que requer assistência médica.

Para reduzir o risco de infeção:

Assegure-se de que tem as suas mãos bem limpas e secas antes de as colocar na área do traqueostoma ou antes de limpar a sua prótese fonatória e/ou os acessórios.

Mantenha bem limpos todos os dispositivos que possam ser introduzidos em, ou entrar em contacto com, o seu traqueostoma e a sua prótese fonatória.

Para reduzir o risco de avaria do produto:

Utilize apenas acessórios Provox genuínos concebidos para utilização com o Provox ActiValve para manuseamento e limpeza da sua prótese. **Outros dispositivos podem provocar lesões pessoais ou danos na prótese fonatória.**

Limpe e lubrifique a prótese fonatória, como indicado, para ajudar a manter a respetiva funcionalidade.

Utilize apenas lubrificante Provox ActiValve Lubricant para a lubrificação da prótese fonatória Provox ActiValve. Outros lubrificantes poderão danificar a prótese fonatória.

Para reduzir o risco de lesões:

Informe sempre a equipa médica sobre o seu Provox ActiValve e mostre-lhes o seu cartão do utilizador Provox ActiValve, antes de ser submetido a qualquer tipo de tratamento médico ou exame. Consulte também a secção Contraindicações.

Mantenha o lubrificante Provox ActiValve Lubricant e outros acessórios fora do alcance de crianças e animais de estimação que possam sofrer ferimentos ao inalá-los ou engoli-los.

Não tente substituir o Provox ActiValve em casa ou sozinho. O dispositivo apenas deve ser removido e substituído por um profissional de saúde.

3. Instruções de utilização

3.1 Como utilizar o Provox ActiValve para falar

Algumas pessoas têm pressão negativa na faringe/esófago ao engolir ou inspirar. Isto poderá fazer com que a válvula abra inadvertidamente. Os ímanes na válvula aumentam a pressão inicial necessária para abrir a válvula. Assim, evita-se a abertura inadvertida.

Consequentemente, poderá sentir que precisa de mais força para começar a falar. Assim que a resistência magnética inicial tenha sido ultrapassada, a utilização do Provox ActiValve é semelhante à utilização de qualquer outra prótese fonatória para falar.

3.2 Limpeza e manutenção

De forma a poder falar com a prótese fonatória, esta necessita de estar limpa para que o ar passe através dela. A limpeza regular da prótese também ajuda a prolongar a vida útil do dispositivo.

Escove a prótese duas vezes por dia com a Provox Brush e após cada refeição para remover mucosidades e restos de comida da prótese. Lavar a prótese com o Provox Flush (irrigador) também ajuda a limpar o dispositivo.

Uma vez por dia, depois da limpeza matinal, lubrifique também o lúmen interno da prótese fonatória com uma gota de lubrificante Provox ActiValve Lubricant utilizando uma Provox Brush. Antes de utilizar, leia as instruções de utilização fornecidas com o lubrificante Provox ActiValve Lubricant.

Atenção:

- Não aplique o lubrificante Provox ActiValve Lubricant diretamente do frasco na prótese fonatória, uma vez que tal poderá originar o depósito do líquido nos pulmões [fig. 2]. Isto ou a utilização excessiva do lubrificante em termos de quantidade ou frequência pode resultar em tosse grave, pneumonia ou graves problemas respiratórios.
- Não aumente a abertura do frasco de lubrificante Provox ActiValve Lubricant.

3.3 Vida útil do dispositivo

Dependendo das circunstâncias biológicas individuais, a vida útil do dispositivo varia, e não é possível prever a integridade estrutural do dispositivo durante um período de tempo mais longo. O material do dispositivo será afetado por, por exemplo, bactérias e fungos, e a integridade estrutural do dispositivo irá, eventualmente, deteriorar-se.

A adição de determinados alimentos como, por exemplo, leite, probióticos e bebidas cafeinadas não alcoólicas, à sua alimentação, poderá reduzir a ocorrência de bactérias e fungos na prótese fonatória. É importante que tenha uma dieta bem equilibrada, debata com o seu profissional de saúde se são recomendadas alterações na sua dieta.

3.4 Acessórios

A **Provox Brush / Provox Brush XL** é utilizada para limpar o interior da prótese ou para aplicar o lubrificante Provox ActiValve Lubricant.

O **Provox Flush** é um dispositivo de limpeza adicional que permite a lavagem da prótese.

O **Provox Plug** é uma ferramenta de primeiros socorros que bloqueia temporariamente fugas através da prótese.

O **Provox ActiValve Lubricant** funciona como lubrificante da superfície da válvula, no interior do Provox ActiValve.

3.5 Eliminação

Cumpra sempre os requisitos nacionais e de medicina geral em matéria de perigo biológico ao eliminar um dispositivo médico usado.

4. Eventos adversos/resolução de problemas por sintoma

As indicações para substituição da prótese fonatória Provox ActiValve incluem fugas através da válvula, bloqueio da prótese, crescimento excessivo de bactérias e candida que levam à degradação dos materiais e/ou pressão excessiva necessária para conseguir falar. Outros motivos para a substituição incluem indicações médicas como, por exemplo, problemas ao nível do trato da punção.

Cabe ao seu profissional de saúde informá-lo relativamente aos riscos e vantagens da reabilitação protésica da voz e instruí-lo quanto ao que fazer, caso se depare com eventos adversos. Se não tem a certeza de ter compreendido totalmente todas as instruções, solicite mais explicações ao seu profissional de saúde.

Sintoma: Tosse (ao comer ou ao beber) enquanto a prótese está colocada.

Motivos mais comuns: Fuga através ou em volta da prótese.

Medidas:

1. Limpe a prótese com a Provox Brush e, se possível, também com o Provox Flush. Podem existir restos de comida que impedem a válvula de fechar corretamente.

Se a fuga persistir:

2. Observe a prótese enquanto bebe. Tente identificar se a fuga ocorre através da parte central ou à volta da prótese.

a) Se acha que a fuga ocorre através da parte central, pode utilizar o Provox Vega Plug (tampão) enquanto come e bebe para evitar fugas. Informe o seu profissional de saúde de que necessita de uma nova prótese.

b) Se acha que a fuga ocorre à volta da prótese ou se o tampão não parar a fuga, informe o seu profissional de saúde que tem uma fuga à volta da prótese.

Sintoma: Por vezes não é possível falar (a válvula não abre).

Causa provável: A cobertura da válvula cola no suporte da válvula, evitando que esta abra. Isto torna-se mais provável com o aumento do tempo de inutilização da válvula (durante a noite, por exemplo).

Medidas: Limpe a prótese fonatória e lubrifique-a (consulte a secção Limpeza e manutenção). Se a limpeza e a lubrificação não ajudarem: Contacte o seu profissional de saúde.

Sintoma: Falar torna-se cada vez mais difícil.

Motivos mais comuns: Obstrução da válvula, inchaço do tecido da garganta (por exemplo, durante a radioterapia).

Medidas:

1. Limpe a prótese com a Provox Brush e/ou o Provox Flush. Podem existir restos de comida que aumentam a resistência ao fluxo de ar.

2. Se isto não ajudar: Contacte o seu profissional de saúde imediatamente.

Sintomas: Dor, calor, inchaço e irritação (juntos ou individualmente) na área da prótese ou do estoma.

Motivos mais comuns: Inflamação e infeção dos tecidos.

Medidas: Contacte o seu profissional de saúde imediatamente.

Sintomas: Observam-se vestígios de sangue na escova após a escovagem.

Motivos mais comuns: Inflamação e infeção dos tecidos no esófago.

Medidas: Contacte o seu profissional de saúde imediatamente.

5. Informações adicionais

5.1 Viajar de avião

Este dispositivo contém 2 ímanes; tamanho 1–1,5 mm, peso 0,15–0,2 gramas. Não é provável que os ímanes acionem detetores de metais como os utilizados em aeroportos mas, para evitar incidentes, é aconselhável que informe antecipadamente o pessoal da segurança que tem uma prótese fonatória e lhes mostre o seu cartão do utilizador Provox ActiValve.

5.2 Data de impressão e informações para assistência ao utilizador

O número da versão destas instruções de utilização e as informações de contacto do fabricante encontram-se na contracapa.

6. Comunicação de incidentes

Tenha em atenção que qualquer incidente grave que tenha ocorrido, relacionado com o dispositivo, deve ser comunicado ao fabricante e à autoridade nacional do país onde o utilizador e/ou o paciente residem.

Provox ActiValve röstrehabiliteringssystem

Luftvägsprocedurer vid trakeostoma

Nödsituationer

Det är viktigt att akutpersonalen känner till att du andas genom halsen. Det hjälper dem att fastställa att syrgas och konstgjord andning måste ges genom ditt stoma och inte genom munnen eller näsan.

Vi rekommenderar att du och din läkare laddar ned riktlinjerna för konstgjord andning från

www.atosmedical.com/rescuebreathing

I förpackningen med din Provox ActiValve finns ett klargult kort med anvisningar för nödsituationer och ett användarkort för Provox ActiValve.

Vi rekommenderar att du alltid har både anvisningarna för nödsituationer och användarkortet för Provox ActiValve till hands.

Planerade ingrepp

Om du måste genomgå en procedur som kräver intubering (en andnings slang placeras i din luftstrupe) är det mycket viktigt att narkosläkaren och läkaren som utför proceduren är medvetna om att du andas genom halsen och att du använder en röstventil. Det är viktigt att de förstår att röstventilen ska sitta kvar. Om den tas bort kan det komma in vätska från munnen, matstrupen eller magsäcken i luftstrupen.

Det är mycket viktigt att intubationskanylen sätts i och tas bort försiktigt så att röstventilen inte rubbas eller lossnar.

1. Ordlista

Läkare eller logoped – Person med läkar- eller logopedutbildning som är specialiserad inom behandling av tal- och språkstörningar eller specialistsjuksköterska som har utbildning i procedurer för röstrehabilitering.

HME – Fukt- och värmeväxlare (Heat and Moisture Exchanger). Produkt som håller kvar värme och fukt från utandningsluften, som returneras till luften när du andas in.

PE-segment – Faryngoesofagealt segment. Den del av matstrupen där ljudet skapas genom vibrationer i vävnaden när en röstventil används.

TE-fistel – Trakeoesofageal fistel. Liten konstgjord öppning mellan luftstrupen och matstrupen där röstventilen placeras.

Trakeostoma – Andningsöppning på framsidan av halsen där luftstrupen är kopplad till huden (kallas även 'stoma').

Röstventil – En envägsventil som sätts in i TE-fisteln. Ventilen har en fläns på vardera sidan som håller den på plats. Luften kan riktas om genom ventilen till matstrupen för att möjliggöra tal, samtidigt som risken för att mat och dryck ska komma in i luftstrupen minskar.

2. Beskrivning

2.1 Användningsområde

Provox ActiValve är en osteril kvarliggande röstventil avsedd för anterograd insättning i en läkt fistel för röstrehabilitering efter total laryngektomi. Produkten är avsedd för patienter som upplevt tidigt läckage med andra röstventiler (kortare hållbarhetslängd än 4–8 veckor). Produkten minskar behovet av täta byten för de flesta användare, men inte för alla.

2.2 KONTRAINDIKATIONER

Provox ActiValve får INTE:

- föras in i en nyligen gjord fistel
- sitta på plats under MRT-undersökningar (magnetresonanstomografi) eller strålbehandling.

2.3 Produktbeskrivning

Provox ActiValve röstventil [bild 1] är en osteril envägsventil för engångsbruk som håller en TE-fistel öppen för tal och samtidigt minskar risken för att mat och dryck kommer in i luftstrupen. Den har två säkerhetsflänsar [A] och en blå ring [B] som ger ökad stabilitet och en jämn förslutningsyta för ventillocket [C]. Röstventilen är inte ett permanent implantat och måste bytas regelbundet.

Produkten är tillverkad av silikongummi av medicinsk kvalitet och av röntgentät fluorplast. Ingen del av produkten är tillverkad av naturgummilätex. Ytterdiametern är 7,5 mm (22,5 Fr). Provox ActiValve finns i längderna 4,5, 6, 8, 10 och 12,5 mm och med olika öppningskraft i ventilen. Det är magneterna [D] i ringen och ventillocket som avgör öppningskraften (magneterna kan inte justeras). Eftersom öppningskraften inte framgår vid en enkel visuell inspektion levereras produkten med Provox

ActiValve användarkort som också ger viktig information om röstventilen. Om du har förlorat användarkorten kan du få nya genom att kontakta din läkare eller logoped.

Följande artiklar i förpackningen ska användas av patienten och du bör få dem av din läkare eller logoped:

2 Provox Brush (rengöringsborstar)

1 Provox Plug

1 Provox ActiValve Lubricant (smörjmedel)

1 kort med anvisningar för nödsituationer

2 Provox ActiValve användarkort.

2.4 VARNINGAR

Du kan råka svälja Provox ActiValve-röstventilen av misstag. Om det händer ska du kontakta din läkare för vidare rådgivning.

Oavsiktlig aspiration (vilket betyder att produkten faller in i luftstrupen) av Provox ActiValve-röstventilen eller andra komponenter i Provox ActiValve-röstrehabiliteringssystemet kan inträffa. Omedelbara symtom kan vara hosta, kvävning eller väsningar. Om det händer ska du omedelbart uppsöka läkare. En främmande kropp i dina luftvägar kan orsaka allvarliga komplikationer och måste avlägsnas av en läkare.

Försiktighet: Du kan aspirera eller svälja produkten utan att få några omedelbara symtom, eller endast lindrig hosta. Om produkten inte är synlig i fisteln ska du omedelbart kontakta läkare, oavsett om du har allvarliga, lindriga eller inga symtom alls.

Återanvändning och omarbetning kan orsaka korskontamination och skada på produkten, vilket kan orsaka patientskada.

Modifiera inte Provox ActiValve-röstventilen eller dess tillbehör. Det kan öka risken för aspiration eller nedsväljning av produkten.

2.5 FÖRSIKTIGHETSÅTGÄRDER

Kontakta din läkare eller logoped om

- det förekommer läckage genom eller omkring röstventilen (hosta och/eller slemmet ändrar färg)
- det blir svårt att prata (det kräver större ansträngning och/eller rösten låter mer ansträngd)
- det finns tecken på inflammation eller vävnadsförändringar i området kring fisteln (smärta, värme, svullnad, blodspår på borsten efter rengöring)
- du ser förändringar i utseendet på röstventilens material eller röstventilens inpassning i fisteln
- Du ofta får hosta när du dricker och det inte blir bättre av att du rengör röstventilen. Det kan vara ett tidigt tecken på läckage genom och omkring röstventilen
- det blöder eller det har bildats överväxt av vävnad runt röstventilen
- du känner ihållande smärta eller obehag i området runt Provox ActiValve
- du har kronisk hosta, andningsproblem eller blod i slemmet. Detta kan vara tecken på ett allvarligt sjukdomstillstånd som kräver läkarvård.

Så här minskar du risken för infektioner:

Var noga med att tvätta och torka händerna ordentligt innan du vidrör området i närheten av trakeostomat och innan du rengör röstventilen och/eller tillbehören.

Se till att alla produkter som kan komma in i eller i kontakt med trakeostomat och röstventilen är rena.

Så här minskar du risken för att produkterna skadas:

Använd endast Provox originaltillbehör som är avsedda för användning med Provox ActiValve vid hantering och rengöring av röstventilen. **Om du använder andra produkter kan det orsaka personskada eller skada på röstventilen.**

Rengör och smörj röstventilen enligt anvisningarna för att upprätthålla dess funktion.

Använd endast Provox ActiValve Lubricant för smörjning av Provox ActiValve-röstventilen. Andra smörjmedel kan skada röstventilen.

Så här minskar du risken för personskada:

Informera alltid vårdpersonal om din Provox ActiValve och visa upp ditt Provox ActiValve-användarkort innan du genomgår någon form av medicinsk behandling eller undersökning. Se även avsnittet Kontraindikationer.

Förvara Provox ActiValve Lubricant (smörjmedel) och andra tillbehör oåtkomligt för barn och husdjur som kan skadas om de andas in eller sväljer dem.

Försök inte byta Provox ActiValve hemma eller på egen hand. Produkten får endast tas bort och bytas ut av vårdpersonal.

3. Bruksanvisning

3.1 Så använder du Provox ActiValve för att tala

En del personer får ett undertryck i svalget/matstrupen när de sväljer eller andas in. Det kan leda till att ventilen oavsiktligt öppnas. Magneterna i ventilen ökar det initiala trycket som behövs för att öppna ventilen. Det förhindrar att ventilen öppnas av misstag.

Till följd av detta kan det kännas som att du behöver mer kraft för att börja tala. När du väl övervunnit det initiala magnetiska motståndet fungerar Provox ActiValve på samma sätt som andra Provox-röstventiler när du talar.

3.2 Rengöring och underhåll

För att du ska kunna tala med hjälp av din röstventil måste den vara ren så att luft kan passera genom den. Regelbunden rengöring av röstventilen bidrar också till att förlänga produktens hållbarhetslängd.

Borsta röstventilen med Provox Brush (rengöringsborste) två gånger om dagen och efter varje måltid för att avlägsna slem och matrester från röstventilen. Du kan även spola röstventilen med Provox Flush för att lättare hålla den ren.

En gång per dag, efter rengöringen på morgonen, ska du även smörja det inre hålrummet i röstventilen med en droppe Provox ActiValve Lubricant (smörjmedel) med hjälp av en Provox Brush (rengöringsborste). Läs bruksanvisningen som följer med Provox ActiValve Lubricant (smörjmedel) före användning.

Försiktighet:

- Applicera inte Provox ActiValve Lubricant (smörjmedel) direkt från flaskan till röstventilen, eftersom vätskan då kan tränga ner i lungorna [bild 2]. Om detta sker, eller om smörjmedlet används i för stora mängder eller för ofta, kan det leda till allvarlig hosta, lunginflammation eller svåra andningsproblem.
- Förstora inte öppningen på flaskan med Provox ActiValve Lubricant (smörjmedel).

3.3. Produktens varaktighet

Produktens hållbarhetslängd varierar på grund av individuella biologiska omständigheter och det går inte att förutse hur länge produktstrukturen förblir intakt på längre sikt. Produktens material påverkas av exempelvis bakterier och jästsvampar och produktstrukturen kommer så småningom att försämrans.

Genom att förtära vissa livsmedel såsom kärnmjölk, dryck med aktiv bakteriekultur och koffeinhaltiga läskedrycker kan det gå att minska förekomsten av bakterier och jästsvampar på röstventilen. En välbalanserad kost är viktig för hälsan. Diskutera med din läkare om du bör ändra dina kostvanor.

3.4 Tillbehör

Provox Brush/Provox Brush XL (rengöringsborste) används för att rengöra insidan av röstventilen eller applicera Provox ActiValve Lubricant.

Provox Flush är en ytterligare rengöringsprodukt som kan användas för spolning av röstventilen.

Provox Plug är ett första hjälpen-verktyg som används för att tillfälligt stoppa läckage genom röstventilen.

Provox ActiValve Lubricant används som smörjmedel för ventilens yta på insidan av Provox ActiValve.

3.5 Kassering

Följ alltid medicinsk praxis och nationella föreskrifter för biologiskt riskavfall vid kassering av en förbrukad medicinteknisk produkt.

4. Biverkningar/felsökning utifrån symtom

Indikationer för byte av Provox ActiValve-röstventilen är läckage genom ventilen, blockering av röstventilen, bakterie- och jästsvampsöverväxt som leder till försämring av materialen och/eller att det krävs ett alltför högt tryck för att kunna tala. Andra anledningar till byte är medicinska indikationer såsom problem med fisteln.

Det är din läkares eller logopedens ansvar att informera dig om riskerna och fördelarna med röstrehabilitering med röstventil och att tala om vad du ska göra om biverkningar uppstår. Om du är osäker på om du har förstått alla instruktioner helt och hållet ska du be din läkare eller logoped att förklara dem närmare.

Symtom: Hosta (som sätter igång när du äter eller dricker) när röstventilen sitter på plats.

De vanligaste orsakerna: Läckage genom eller runt röstventilen.

Åtgärder:

1. Rengör röstventilen med Provox Brush och om möjligt även med Provox Flush. Det kan finnas matrester som förhindrar att ventilen stängs ordentligt.

Om läckaget fortsätter:

2. Observera röstventilen när du dricker. Försök att ta reda på om det läcker genom mitten eller runt omkring röstventilen.

- a) Om du tror att det läcker genom mitten kan du använda Provox Vega Plug när du äter och dricker för att förhindra läckage. Informera din läkare eller logoped om att du behöver en ny röstventil.
- b) Om du tror att det läcker runt omkring röstventilen eller om Provox Vega Plug inte stoppar läckaget, ska du meddela din läkare eller logoped om att det kan finnas ett läckage runt röstventilen.

Symtom: Det är ibland inte möjligt att tala (ventilen öppnas inte).

Trolig anledning: Ventillocket klibbar fast vid ventilsåtet, vilket hindrar ventilen från att öppnas. Sannolikheten för detta ökar ju längre tid ventilen varit oanvänd (t.ex. över natten).

Åtgärder: Rengör röstventilen och smörj den (se avsnittet Rengöring och underhåll). Om rengöring och smörjning inte hjälper: Kontakta din läkare eller logoped.

Symtom: Det blir allt svårare att tala.

De vanligaste orsakerna: Ventilen är tilltäppt, vävnaden i halsen är svullen (t.ex. under strålbehandling).

Åtgärder:

1. Rengör röstventilen med Provox Brush och/eller Flush. Det kan finnas matrester som ökar luftflödets motstånd.
2. Om det inte hjälper: Kontakta din läkare eller logoped omedelbart.

Symtom: Smärta, värme, svullnad och utslag (ett av dessa symtom eller flera av dem samtidigt) i området vid röstventilen eller stomat.

De vanligaste orsakerna: Inflammation och infektioner i vävnaden.

Åtgärder: Kontakta din läkare eller logoped omedelbart.

Symtom: Det finns blodspår på borsten efter användning.

De vanligaste orsakerna: Inflammation och infektioner i vävnaden på matstrupsidan.

Åtgärder: Kontakta din läkare eller logoped omedelbart.

5. Ytterligare information

5.1 Vid flygresor

Den här produkten innehåller två magneter med en storlek på 1–1,5 mm och en vikt på 0,15–0,2 gram. Det är inte sannolikt att magneterna ger utslag på metalldetektorer av den typ som används på flygplatser, men för att undvika incidenter bör du informera säkerhetspersonalen i förväg om att du har en röstventil och visa dem ditt Provox ActiValve-användarkort.

5.2 Tryckdatum och hjälpinformation till användaren

Bruksanvisningens versionsnummer och tillverkarens kontaktinformation finns på baksidan.

6. Rapporter

Observera att varje allvarlig incident som har inträffat i förhållande till produkten ska rapporteras till tillverkaren och den nationella myndigheten i det land där användaren och/eller patienten är bosatt.

Provox ActiValve stemmerehabiliteringssystem

Behandling i forbindelse med stomal luftvej

Nødsituationer

Det er vigtigt, at redningspersonalet ved, at du trækker vejret gennem halsen. Dette vil hjælpe dem med at træffe beslutning om, at ilt og akut vejtrækningshjælp skal gives gennem stomatet og ikke gennem munden eller næsen.

Vi anbefaler, at du og din kliniker henter retningslinjerne for akut vejtrækningshjælp på www.atosmedical.com/rescuebreathing. I pakken med din Provox ActiValve finder du et lysegult nødkort og et Provox ActiValve brugerkort. Vi anbefaler, at du altid tager både nødkortet og Provox ActiValve brugerkortet med dig.

Elektive situationer

Hvis du skal have foretaget et indgreb, der kræver intubering (indføring af en vejtrækningslange i luftrøret), er det meget vigtigt, at anæstesiologen og den læge, der udfører indgrebet, er klar over, at du trækker vejret gennem halsen, og at du anvender en stemmeprotese. Det er vigtigt, at de er bekendt med, at stemmeprotesen skal forblive på plads. Hvis den fjernes, kan væsker fra munden, spiserøret eller maven trænge ind i luftrøret.

Det er meget vigtigt, at intuberingsslangen indføres og fjernes forsigtigt, så stemmeprotesen ikke flytter sig eller falder ud.

1. Ordliste

Kliniker – Læge eller autoriseret logopæd/patolog eller klinisk specialiseret sygeplejerske, som er uddannet i stemmerehabiliteringsprocedurer.

HME – Fugt- og varmeveksler (Heat and Moisture Exchanger). Anordning, som holder fugt og varme tilbage fra den luft du ånder ud.

PE-segment – Pharyngo-esophagussegment. Den del af spiserøret, hvor lyden skabes ved vibration af vævet, når en stemmeprotese anvendes.

Te-punktur – Tracheo-esophageal punktur. Lille, kunstig åbning, som skabes mellem luftrøret og spiserøret, hvori stemmeprotesen indsættes.

Tracheostoma – Vejtrækningsåbning forrest på halsen, hvor luftrøret er forbundet med huden (også kaldet ”stoma”).

Stemmeprotese – En envejsventil, som indsættes i TE-punkturen. Ventilen har en flange på hver side, som sørger for at holde ventilen på plads. Luft kan omdirigeres igennem ventilen til spiserøret til tale, mens risikoen for, at mad og drikke kommer ind i luftrøret, reduceres.

2. Deskriptive oplysninger

2.1 Brugsanvisning

Provox ActiValve er en indlagt stemmeprotese, der ikke er steriliseret, og som er beregnet til anterograd indføring i en helet punktur for stemmerehabilitering efter total laryngektomi. Anordningen er beregnet til patienter, som oplever tidlig lækage med tidligere stemmeprotoser (anordningens levetid er mindre end 4-8 uger). Anordningen reducerer behovet for hyppig udskiftning hos størstedelen af brugerne, men ikke hos alle.

2.2 KONTRAINDIKATIONER

Provox ActiValve er IKKE beregnet til:

- indføring i en nyligt udført punktur
- at være indsat i punkturen under en MR-undersøgelse (MR-scanning) eller under strålebehandling.

2.3 Beskrivelse af anordningen

Provox ActiValve stemmeprotese [Fig. 1] er en envejsventil, der ikke er steriliseret, til engangsbrug, og som holder en TE-punktur åben til tale, mens risikoen for, at mad og drikke kommer ind i luftrøret, reduceres. Den har to holdeflanger [A] og en blå ring [B], som giver stabilitet og en jævn tætningsoverflade til ventilkappen [C]. Protosen er ikke et permanent implantat og skal udskiftes periodisk.

Anordningen er fremstillet af silikonegummi af medicinsk kvalitet og fluorplast, der ikke kan gennemtrænges af stråling. Ingen af anordningens dele er fremstillet af naturgummilætex. Den udvendige diameter er 7,5 mm (22.5 Fr). Provox ActiValve fås i længderne 4,5 mm, 6 mm, 8 mm, 10 mm og 12,5 mm og fås i forskellige styrker hvad angår åbning af ventilen. Magneterne [D] i ringen og ventilkappen regulerer styrken (magneterne kan ikke justeres). Da styrken ikke kan ses ved en almindelig

visuel inspektion, leveres anordningen med Provox ActiValve brugerkort, som også indeholder vigtige oplysninger om stemmeprotesen. Hvis du har mistet brugerkortene, kan du kontakte din kliniker, som vil sørge for at fremskaffe nye.

Følgende indhold i pakken er beregnet til patienten og bør overdrages til dig af din kliniker:

- 2 Provox Brush (børster)
- 1 Provox Plug (prop)
- 1 Provox ActiValve Lubricant (smøremiddel)
- 1 nødkort
- 2 Provox ActiValve brugerkort

2.4 ADVARSLER

Det kan forekomme, at Provox ActiValve stemmeprotese sluges ved et uheld. Hvis dette sker, skal du kontakte din læge, som kan rådgive dig.

Utilsigtet aspiration (dvs. anordningen falder ned i luftrøret) af Provox ActiValve stemmeprotesen eller andre komponenter fra Provox ActiValve stemmerehabiliteringssystemet kan forekomme. Umiddelbare symptomer kan være hoste, kvælningssførmelse eller hvæsende vejrtrækning. I sådanne tilfælde skal du omgående søge læge. Et fremmedlegeme i dine luftveje kan forårsage alvorlige komplikationer og skal fjernes af en kliniker.

Forsigtig: Du kan aspirere eller sluge anordningen uden at du får umiddelbare symptomer eller kun en let hoste. Hvis anordningen ikke er synlig i punkturen, skal du kontakte din kliniker med det samme, uanset om du har svære, milde eller ingen symptomer.

Genbrug og bearbejdning til genbrug kan muligvis forårsage krydskontaminering og beskadigelse af anordningen, hvilket kan skade dig.

Du må ikke ændre på Provox ActiValve stemmeprotesen eller dens tilbehør. Dette kan øge risikoen for aspiration eller slugning af anordningen.

2.5 FORHOLDSREGLER

Rådfør dig med din kliniker, hvis:

- Der er en lækage igennem eller omkring protesen (hoste og/eller ændring af slimfarve).
- Det bliver svært at tale (større anstrengelse og/eller stemmen lyder mere anstrengt).
- Der er tegn på betændelse eller vævsforandringer ved punkturområdet (smerte, varme, hævelse, spor af blod på børsten efter børstning).
- Du ser ændringer i stemmeprotens udseende eller på den måde, som den sidder i punkturen.
- Du lider ofte af hoste, når du drikker, og det hjælper ikke at rengøre stemmeprotesen. Dette kan være et tidligt tegn på lækage igennem eller omkring stemmeprotesen.
- Du bløder eller har vækst af væv omkring anordningen.
- Du oplever vedvarende smerte eller ubehag i det område, hvor Provox ActiValve sidder.
- Du oplever kronisk hoste, vejrtrækningsbesvær eller blod i slimet. Dette kan være tegn på en alvorlig sundhedstilstand, som kræver lægehjælp.

For at reducere risikoen for infektion:

Sørg for, at dine hænder er grundigt rene og tørre, inden du rører dit trakeostomaområde, og inden du rengør din stemmeprotese og/eller tilbehør.

Sørg for at holde alle anordninger rene, som kan komme ind i eller komme i kontakt med dit trakeostoma og stemmeprotese.

For at reducere risikoen for produktskade:

Brug kun det originale Provox tilbehør, der er beregnet til brug med Provox ActiValve, til håndtering og rengøring af protesen.

Andre anordninger kan forårsage personskaade eller beskadigelse af stemmeprotesen.

Rengør og smør stemmeprotesen som anvist for at bibeholde dens funktionalitet.

Brug kun Provox ActiValve Lubricant (smøremiddel) til smøring af Provox ActiValve stemmeprotese. Andre smøremidler kan beskadige stemmeprotesen.

For at reducere risikoen for skader:

Oplys altid lægepersonalet om din Provox ActiValve, og vis dem dit Provox ActiValve brugerkort, inden du starter en medicinsk behandling eller undersøgelse. Se også afsnittet Kontraindikationer.

Hold Provox ActiValve Lubricant (smøremiddel) og andet tilbehør uden for børns og kæledyrs rækkevidde, da inhalation eller slugning kan forårsage skade.

Forsøg ikke selv at udskifte Provox ActiValve derhjemme. Anordningen må kun fjernes og udskiftes af sundhedsfagligt personale.

3. Brugsanvisning

3.1 Sådan bruges Provox ActiValve til tale

For nogle kan der opstå undertryk i svælget/spiserøret når de synker eller trækker vejret ind. Det kan forårsage, at ventilen åbnes utilsigtet. Magneterne i ventilen øger det indledende tryk, som er det, der får ventilen til at åbne. Dermed forhindres utilsigtet åbning.

Derfor kan du opleve, at du skal bruge større anstrengelse for at tale. Så snart den indledende, magnetiske modstand er overvundet, bruges Provox ActiValve på samme måde som enhver anden Provox stemmeprotese til at tale.

3.2 Rengøring og vedligeholdelse

For at du kan tale med din stemmeprotese, skal den være ren, så luft kan passere igennem den. Jævnlig rengøring af protesen hjælper også med at forlænge dens levetid.

Børst protesen med Provox Brush (børste) to gange om dagen og efter hvert måltid for at fjerne slim og madrester fra protesen. Skylling af protesen med Provox Flush (skylleanordning) hjælper også med at rengøre anordningen.

En gang om dagen, efter du har rengjort den om morgenen, skal du også smøre stemmeprotensens indvendige lumen med en dråbe Provox ActiValve Lubricant (smøremiddel) ved hjælp af Provox Brush (børste). Læs venligst brugsanvisningen, der følger med Provox ActiValve Lubricant (smøremiddel) før brug.

Forsigtig:

- Påfør ikke Provox ActiValve Lubricant (smøremiddel) på stemmeprotesen direkte fra flasken, så du ikke får smøremiddel i lungerne [Fig. 2]. Dette, for hyppig eller for stort forbrug af smøremidlet, kan medføre svær hoste, lungebetændelse eller alvorlige vejrtrækningsproblemer.
- Gør ikke flaskeåbningen på Provox ActiValve Lubricant (smøremiddel) større.

3.3 Anordningens levetid

Anordningens levetid varierer afhængig af individuelle, biologiske faktorer, og det er ikke muligt at forudsige anordningens strukturelle integritet over længere tid. Anordningens materiale vil blive påvirket af eksempeplvis bakterier og gærsvamp, og anordningens strukturelle integritet vil med tiden forringes.

Tilførsel af bestemte fødevarer til kosten, såsom kærnemælk, probiotika og koffeinholdige læskedrikke, kan muligvis reducere forekomsten af bakterier og gærsvamp på stemmeprotesen. En alsidig kost er vigtig. Tal med din kliniker, om hvorvidt du bør ændre din kost.

3.4 Tilbehør

Provox Brush (børste) / Provox Brush (børste) XL bruges til at rengøre protesen indvendigt eller påføre Provox ActiValve Lubricant (smøremiddel).

Provox Flush (skylleanordning) er en ekstra rengøringsanordning, som giver mulighed for at skylle protesen.

Provox Plug (prop) er et førstehjælpsredskab, som midlertidigt blokerer lækage igennem protesen.

Provox ActiValve Lubricant (smøremiddel) bruges som smøremiddel til ventiloverfladen indeni Provox ActiValve.

3.5 Bortskaffelse

Følg altid lægelig praksis og nationale krav med hensyn til biologiske risici ved bortskaffelse af en brugt medicinsk anordning.

4. Bivirkninger/fejlfindingsinformation efter symptom

Indikationer for udskiftning af Provox ActiValve stemmeprotese omfatter lækage igennem ventilen, blokering af protesen, bakterie- eller candidatilgroning, som medfører, at materialerne nedbrydes, og/eller at der skal anvendes overdrevent tryk for at tale. Andre årsager til udskiftning omfatter medicinske indikationer, såsom problemer med punkturområdet.

Det er din klinikers ansvar at oplyse dig om risici og fordele ved kunstig stemmehabilitering og instruere dig i, hvad du skal gøre i tilfælde af, at du oplever bivirkninger. Hvis du ikke er sikker på, at du har forstået alle instruktioner, skal du bede din kliniker om at forklare nærmere.

Symptom: Hoste (som udløses af at drikke eller spise), mens protesen sidder i.

De mest almindelige årsager: Lækage igennem eller omkring protesen.

Foranstaltninger:

1. Rengør protesen med Provox Brush (børste) og om muligt også med Provox Flush (skylleanordning). Der kan være madrester, som forhindrer ventilen i at lukke korrekt.

Hvis lækagen fortsætter:

2. Observer protesen, mens du drikker. Forsøg at bestemme, om det lækker igennem midten eller omkring protesen.

- a) Hvis du mener, at det lækker igennem midten, kan du bruge Provox Vega Plug (prop), mens du spiser og drikker for at forhindre lækage. Fortal din kliniker, at du har brug for en ny protese.

b) Hvis du mener, at det lækker omkring protesen, eller hvis proppen ikke stopper lækagen, skal du fortælle din kliniker, at du muligvis har lækage omkring din protese.

Symptom: Det er ikke altid muligt at tale (ventilen åbner ikke).

Mulig årsag: Ventillåget klæber sig fast på ventil sædet, hvilket forhindrer ventilen i at åbne. Dette bliver mere sandsynligt, jo længere tid ventilen ikke har været i brug (f.eks. over natten).

Foranstaltninger: Rengør og smør stemmeprotesen (se afsnittet Rengøring og Vedligeholdelse). Hvis rengøring og smøring ikke hjælper: Kontakt din kliniker.

Symptom: Tale bliver sværere og sværere.

De mest almindelige årsager: Blokering af ventilen, hævelse af vævet i halsen (f.eks. under strålebehandling).

Foranstaltninger:

1. Rengør protesen med Provox Brush (børste) og/eller Flush. Der kan være madrester, der øger luftflowmodstanden.
2. Hvis det ikke hjælper: Kontakt din kliniker med det samme.

Symptomer: Smerte, varme, hævelse og udslæt (et eller flere symptomer) i området omkring protesen eller stomaet.

De mest almindelige årsager: Inflammation i vævet og infektioner.

Foranstaltninger: Kontakt din kliniker med det samme.

Symptom: Der er spor af blod på børsten efter børstning.

De mest almindelige årsager: Inflammation i vævet og infektion i spiserøret.

Foranstaltninger: Kontakt din kliniker med det samme.

5. Yderligere oplysninger

5.1 Flyrejser

Denne anordning indeholder 2 magneter: størrelse 1-1,5 mm, vægt 0,15-0,2 gram. Det er usandsynligt, at magneterne sætter metaldetektorer i gang, som dem, der bruges i lufthavne, men for at undgå problemer, kan du på forhånd informere sikkerhedspersonalet om din stemmeprotese og vise dem dit Provox ActiValve brugerkort.

5.2 Trykvedtægter og hjælpeoplysninger til brugeren

Versionsnummeret til denne brugsanvisning samt producent- og kontaktoplysninger findes på anvisningens bagside.

6. Rapportering

Bemærk venligst, at enhver alvorlig hændelse, der er opstået i forbindelse med anordningen, skal indberettes til producenten og den nationale myndighed i det land, hvor brugeren og/eller patienten opholder sig.

Provox ActiValve-talerehabiliteringssystem

Håndtering av luftveiene ved trakeostomi

Nødssituasjoner

Det er viktig at nodpersonell vet at du har trakealkanyle. Det hjelper dem med å avgjøre at det må gis oksygen og kunstig åndedrett via stomien og ikke via munn eller nese.

Vi anbefaler at du og klinikerer laster ned retningslinjene for kunstig åndedrett fra

www.atosmedical.com/rescuebreathing

I pakken med Provox ActiValve finner du et gult nødkort og et Provox ActiValve-brukerkort. Vi anbefaler at du alltid har med deg både nødkortet og Provox ActiValve-brukerkortet.

Elektive situasjoner

Hvis du må gjennomgå en prosedyre som krever intubering (hvor du får et pusterør ned i luftrøret), er det svært viktig at anestesilegen og legen som utfører prosedyren, vet at du har trakealkanyle og at du bruker en taleprotese. Det er viktig at de vet at taleprotesen ikke må fjernes. Hvis den fjernes, kan væske fra munnen, spiserøret eller magen komme inn i luftrøret.

Det er svært viktig at intuberingsrøret settes i og fjernes forsiktig slik at taleprotesen ikke løsner eller kommer ut.

1. Ordliste

Kliniker – helsearbeider eller logoped eller klinisk spesialistsykepleier med lisens som har fått opplæring i talerehabiliteringsprosedyrer.

HME – fukt- og varmeveksler (Heat and Moisture Exchanger). Anordning som holder på varmen og fuktigheten i utåndet luft, som føres tilbake til luften når du puster inn.

PE-segment – faryngoosofageal-segmentet (innsnevring ved svelget og spiserøret). Den delen av spiserøret der lyd lages av vibrasjoner i vevet når det brukes en taleprotese.

TE-punksjon – trakeosofageal punksjon. Liten, kunstig åpning mellom luftrøret og spiserøret der en taleprotese plasseres.

Trakeostomi – pusteåpning foran på halsen der luftrøret kobles til huden (også kalt «stomi»).

Taleprotese – en enveisventil som settes inn i TE-punksjonen. Ventilen har en flens på hver side som sørger for at ventilen holder seg på plass. Luften kan omdirigeres gjennom ventilen til spiserøret slik at du kan snakke, og samtidig reduseres faren for at mat og væsker kommer ned i luftrøret.

2. Beskrivelse

2.1 Bruksanvisning

Provox ActiValve er en steril intravenøs taleprotese beregnet på anterograd innsetting i en leget punksjon for talerehabilitering etter total laryngektomi. Anordningen er beregnet på pasienter som opplever tidlig lekkasje med tidligere taleproteser (anordninger med en levetid på mindre enn 4–8 uker). Anordningen reduserer behovet for hyppige utskiftninger hos de fleste brukerne, men ikke hos alle.

2.2 KONTRAINDIKASJONER

Provox ActiValve er IKKE beregnet på:

- innsetting i en ny punksjon,
- å bli sittende under en MR-undersøkelse (magnetisk resonanstomografi) eller under strålebehandling.

2.3 Beskrivelse av anordningen

Provox ActiValve-taleprotesen [fig. 1] er en usteril enveisventil til engangsbruk som holder en TE-punksjon åpen for tale, samtidig som den reduserer faren for at mat og væsker kommer ned i luftrøret. Den har to retensjonsflenser [A] og en blå ring [B] som gir økt stabilitet og en jevn tetningsflate for ventilklaffen [C]. Protesen er ikke et permanent implantat og må byttes regelmessig.

Anordningen er laget av medisinsk silikongummi og radioopak fluorplast. Ingen av delene i anordningen er produsert med naturgummi (lateks). Ytre diameter er 7,5 mm (22,5 Fr). Provox ActiValve kommer i lengdene 4,5, 6, 8, 10 og 12,5 mm og kommer med forskjellig åpningskraft i ventilen. Magnetene [D] i ringen og ventilklaffen bestemmer åpningskraften (magnetene kan ikke justeres). Siden åpningskraften ikke er tydelig med en enkel visuell inspeksjon, kommer anordningen med

Provox ActiValve-brukerkort som også inneholder viktig informasjon om taleprotesen. Hvis du har mistet brukerkortet, kan du kontakte klinikeren som kan ordne med et nytt.

Følgende deler i pakken er beregnet på bruk av pasienten og skal gis til deg av klinikeren:

- 2 Provox Brushes,
- 1 Provox Plug,
- 1 Provox ActiValve-smøremiddel,
- 1 Nødkort.
- 2 Provox ActiValve-brukerkort.

2.4 ADVARSLER

Det kan skje at Provox ActiValve-taleprotesen svelges utilsiktet. Hvis dette skulle skje, må du ta kontakt med lege som kan gi deg råd om hva du skal gjøre.

Utilsiktet aspirasjon (dvs. at anordningen faller ned i luftrøret) av Provox ActiValve-taleprotesen eller andre deler av Provox ActiValve-talerehabiliteringssystemet kan oppstå. Umiddelbare symptomer kan omfatte hoste, kvelning eller pustevansker. Hvis dette skjer, må du umiddelbart oppsøke lege. Et fremmedlegeme i luftveiene kan forårsake alvorlige komplikasjoner og må fjernes av en kliniker.

Forsiktig: Det kan være at du aspirerer eller svelger anordningen uten å ha umiddelbare symptomer, eller bare mild hoste. Hvis anordningen ikke er synlig i punksjonen, må du kontakte klinikeren umiddelbart enten du har alvorlige, milde eller ingen symptomer.

Gjenbruk og bearbeiding for gjenbruk kan forårsake krysskontaminasjon og skade på anordningen, noe som kan skade pasienten.

Ikke modifier Provox ActiValve-taleprotesen eller noe av tilbehøret. Dette kan øke risikoen for aspirasjon eller svelging av anordningen.

Ikke modifier Provox ActiValve-taleprotesen eller noe av tilbehøret.

2.5 FORHOLDSREGLER

Ta kontakt med klinikeren hvis:

- Det er lekkasje gjennom eller rundt protesen (hoste og/eller endring av farge på slimet).
- Det blir vanskelig å snakke (det krever en høyere innsats og/eller stemmen høres mer anstrengt ut).
- Det er tegn på betennelse eller endringer i vevet rundt punksjonsområdet (smerte, varme, hevelse, spor av blod på børsten etter børstingen).
- Du ser endringer i utseendet på materialet i taleprotesen eller måten den sitter i punksjonen på.
- Du ofte hoster når du drikker, og dette ikke blir bedre av at taleprotesen rengjøres. Dette kan være et tidlig tegn på lekkasje gjennom eller rundt taleprotesen.
- Du har blødninger eller vekst av vev rundt anordningen.
- Du har vedvarende smerte eller ubehag i området rundt Provox ActiValve.
- Du opplever kronisk hoste, problemer med å puste eller blod i slimet. Dette kan være tegn på en alvorlig helsetilstand som krever legehjelp.

Slik reduserer du faren for infeksjoner:

Vask og tørk hendene grundig før du tar i området rundt trakeostomien og før du rengjør taleprotesen og/eller tilbehøret.

Alle anordninger som kan komme inn i eller i kontakt med trakeostomien og taleprotesen, må være rene.

Slik reduserer du faren for skade på produktet:

Bare bruk ekte Provox-tilbehør som er beregnet for bruk med Provox ActiValve, til håndtering og rengjøring av protesen.

Andre anordninger kan føre til personskaade eller skade på taleprotesen.

Rengjør og smør taleprotesen som anvist for å bidra til at den opprettholder funksjonaliteten.

Bruk bare Provox ActiValve-smøremiddelet til å smøre Provox ActiValve-taleprotesen. Andre smøremidler kan skade taleprotesen.

Slik reduserer du faren for personskaade:

Opplys alltid helsepersonell om at du har en Provox ActiValve, og vis dem Provox ActiValve-brukerkortet før du gjennomgår medisinsk behandling eller undersøkelser av noe slag. Se også avsnittet Kontraindikasjoner.

Oppbevar Provox ActiValve-smøremiddelet og annet tilbehør utenfor barns og kjæledyrs rekkevidde, da de kan skades hvis de puster inn eller svelger dette.

Ikke prøv å bytte Provox ActiValve hjemme eller selv. Anordningen må bare fjernes og erstattes av helsepersonell.

3. Bruksanvisning

3.1 Slik bruker du Provox ActiValve til å snakke

Noen mennesker har negativt trykk i farynks/øsofagus når de svelger eller innånder. Dette kan føre til en utilsiktet åpning av ventilen. Magnetene i ventilen øker det innledende trykket som er nødvendig for å åpne ventilen. Dermed hindres utilsiktet åpning.

Et resultat av dette er at du kan føle at du må bruke mer kraft for å begynne å snakke. Når den innledende magnetiske motstanden er overvunnet, fungerer snakkingen med Provox ActiValve på omtrent samme måte som med andre Provox-taleproteser.

3.2 Rengjøring og vedlikehold

Når du skal snakke ved hjelp av taleprotesen, må den være ren slik at luft kan passere gjennom. Regelmessig rengjøring av protesen forlenger også anordningens levetid.

Børst protesen med Provox Brush to ganger om dagen og etter hvert måltid for å fjerne slim og matrester. Du kan også skylle protesen med Provox Flush, som i tillegg hjelper til med å rengjøre anordningen.

En gang per dag, etter rengjøringen om morgenen, må du også smøre den indre lumen i taleprotesen med en dråpe Provox ActiValve-smøremiddel ved hjelp av en Provox Brush. Før bruk må du lese bruksanvisningen som følger med Provox ActiValve-smøremiddelet.

Forsiktig:

- Ikke påfør Provox ActiValve-smøremiddel rett fra flasken til taleprotesen, da dette kan gjøre at væsken kommer ned i lungene [fig. 2]. Dette, eller hvis du bruker for mye smøremiddel eller for ofte, kan føre til alvorlig hoste, lungebetennelse eller alvorlige pusteproblemer.
- Ikke gjør flaskeåpningen på Provox ActiValve-smøremiddelet større.

3.3 Anordningens levetid

Avhengig av individuelle biologiske forhold kan anordningens levetid variere, og det er ikke mulig å forutsi anordningens strukturelle integritet over en lengre periode. Materialet i anordningen kan påvirkes av for eksempel bakterier eller gjærsopp, og anordningens strukturelle integritet forringes over tid.

Tilføyelse av visse matvarer i kosten som kulturmelm, probiotika og koffeinholdig brus kan redusere forekomsten av bakterier og gjærsopp i taleprotesen. Et balansert kosthold er viktig, så du bør snakke med klinikerens for å høre om det anbefales at du endrer kostholdet.

3.4 Tilbehør

Provox Brush / Provox Brush XL brukes til å rengjøre innsiden av protesen eller til å påføre Provox ActiValve-smøremiddelet.

Provox Flush er en ekstra rengjøringsanordning som lar deg skylle protesen.

Provox Plug er et førstehjelpsutstyr som midlertidig blokkerer lekkasje gjennom protesen.

Provox ActiValve-smøremiddelet fungerer som smøremiddel for ventilflaten inni Provox ActiValve.

3.5 Avhending

Følg alltid medisinsk praksis og nasjonale krav angående biologiske farer når en brukt medisinsk anordning skal avhendes.

4. Komplikasjoner og feilsøking iht. symptom

Indikasjoner for bytte av Provox ActiValve-taleprotesen inkluderer lekkasje gjennom ventilen, blokkering av protesen, bakterievekst eller vekst av gjærsoppen candida som kan føre til nedbryting av materialene og/eller det ekstra trykket som er nødvendig for å oppnå tale. Andre årsaker til at protesen må byttes ut, omfatter medisinske forhold som problemer med punksjonskanalen.

Det er klinikerens ansvar å informere deg om risikoer og fordeler med en talerehabiliteringsprotese og å instruere deg om hva du må gjøre hvis du skulle oppleve komplikasjoner. Hvis du ikke er sikker på om du har forstått alle instruksene, må du be klinikerens om å forklare nærmere.

Symptom: Hoste (utløst av drikking eller spising) mens protesen er på plass.

Vanligste årsaker: Lekkasje gjennom og rundt protesen.

Tiltak:

1. Rengjør protesen med Provox Brush og om mulig også med Provox Flush. Det kan være matrester som hindrer ventilen i å lukke seg ordentlig.

Hvis lekkasjen fortsetter:

2. Observer protesen mens du drikker. Prøv å identifisere om det lekker gjennom midten av protesen eller rundt den.

- a) Hvis du mener det lekker gjennom midten, kan du bruke Provox Vega Plug mens du spiser og drikker for å hindre lekkasje. Gi klinikerer beskjed om at du trenger en ny protese.
- b) Hvis du mener det lekker rundt, eller hvis pluggen ikke stopper lekkasjen, må du gi klinikerer beskjed om at du kan ha en lekkasje rundt protesen.

Symptom: Det er ikke alltid mulig å snakke (ventilen åpner seg ikke).

Mulig årsak: Ventilblokket er klistret til ventilsetet og hindrer ventilen i å åpne seg. Dette er mer sannsynlig desto lenger ventilen ikke har vært i bruk (f.eks. over natten).

Tiltak: Rengjør taleprotesen og smør den (se avsnittet Rengjøring og vedlikehold). Hvis det ikke hjelper å rengjøre og smøre: Ta kontakt med klinikerer.

Symptom: Det blir vanskeligere og vanskeligere å snakke.

Vanligste årsaker: Obstruksjon av ventilen, hevelse av vevet i halsen (f.eks. under strålebehandling).

Tiltak:

1. Rengjør protesen med Provox Brush og/eller Flush. Det kan være matrester som øker motstanden i luftgjennomstrømmingen.
2. Hvis det ikke hjelper: Kontakt klinikerer umiddelbart.

Symptomer: Smerte, varme, hevelse og utslett (sammen eller alene) i området for protesen eller stomien.

Vanligste årsaker: Betennelse og infeksjoner i vevet.

Tiltak: Kontakt klinikerer umiddelbart.

Symptomer: Spor av blod kan ses på børsten etter børsting.

Vanligste årsaker: Betennelse og infeksjoner i vevet på øsofagealsiden.

Tiltak: Kontakt klinikerer umiddelbart.

5. Tilleggsinformasjon

5.1 Flyreiser

Anordningen inneholder to magneter; størrelse 1–1,5 mm, vekt 0,15–0,2 gram. Det er ikke sannsynlig at magnetene utløser metaldetektorer som de som brukes på flyplasser, men det anbefales at du på forhånd opplyser sikkerhetspersonalet om at du bruker taleprotese og viser dem Provox ActiValve-bruakerkortet for å unngå problemer.

5.2 Trykkedato og brukerasistanse

Versjonsnummeret til denne bruksanvisningen samt produsent og kontaktinformasjonen står på baksiden.

6. Rapportering

Vær oppmerksom på at enhver alvorlig hendelse som har oppstått i forbindelse med utstyret, skal rapporteres til produsenten og nasjonale myndigheter i landet der brukeren og/eller pasienten bor.

Provox ActiValve -puheen kuntoutusjärjestelmä

Stooman hengitystien käsittely

Hätätilanteet

On tärkeää, että ensiapuhenkilökunta tietää, että hengitit kaulan aukon kautta. Tämä auttaa heitä määrittämään, että happea ja tekohengitystä on annettava stoomaan eikä suuhun tai nenään.

Suosittellemme, että sinä ja lääkärisi lataatte tekohengitystä koskevat ohjeet verkkosivuilta

www.atosmedical.com/rescuebreathing

Provox ActiValve -pakkauksesta löydät kirikkaankeltaisen hätäkortin ja Provox ActiValve -käyttäjäkortin.

Suosittellemme, että pidät hätäkortin ja Provox ActiValve -käyttäjäkortin aina mukana.

Ei-päivystykselliset hoitotilanteet

Jos tarvitset toimenpidettä, joka edellyttää intubaatiota (hengityspotken asettamista henkitorveesi), on erittäin tärkeää, että nukutuslääkäri ja toimenpiteen tekevä lääkäri tietävät, että hengitit kaulan aukon kautta ja että käytät ääniproteesia. On tärkeää, että he ymmärtävät, että puheproteesin täytyy pysyä paikoillaan. Jos se poistetaan, suusta, ruokatorvesta tai mahalaukusta tulevat nesteet saattavat päästä henkitorveesi.

On erittäin tärkeää, että intubaatioputki asetetaan ja poistetaan varovaisesti, niin että ääniproteesi ei siirry tai työnny olos.

1. Sanasto

Lääkäri – Lääkintäalan ammattilainen tai laillistettu puheterapeutti / patologi tai puhekuntoutukseen erikoistunut rekisteröity sairaanhoitaja.

HME – Kosteuslämpövaihdin (Heat and Moisture Exchanger). Laite, joka ottaa talteen lämmön ja kosteuden ulohengitetystä ilmasta ja palauttaa sen takaisin ilmaan sisäänhengitettäessä.

PE-segmentti – Nielun ja ruokatorven segmentti. Ruokatorven alue, jossa ääni muodostuu kudosten värähtelyn avulla ääniproteesia käytettäessä.

TE-punktio – Trakeoesofageaalinen punktio. Pieni henkitorven ja ruokatorven välille tehty keinotekoinen avanne, johon ääniproteesi sijoitetaan.

Trakeostooma – Kaulan etuosaan tehty hengitysaukko, jossa henkitorvi yhdistetään kaulan ihoon (käytetään myös nimitystä 'stooma').

Ääniproteesi – TE-punktioon asetettava yksisuuntainen venttiili. Venttiilin molemmilla puolilla on uloke, joka pitää venttiilin paikallaan. Ilma ohjataan venttiilin kautta ruokatorven puhetta varten, samalla ruoan ja nesteiden henkitorveen joutumisen riski vähenee.

2. Tuotetiedot

2.1. Käyttötarkoitus

Provox ActiValve on epästeriili, paikalleen jäävä ääniproteesi, joka asennetaan anterogradisesti parantuneeseen punktion kurkunpään täydellisen poiston jälkeen tapahtuvaa puhekuntoutusta varten. Laite on tarkoitettu potilaille, joilla on aiempien ääniproteesien yhteydessä ilmennyt vuotoa jo käytön alkuvaiheessa (laitteen käyttöikä alle 4–8 viikkoa). Laite vähentää usein toistuvan vaihdon tarvetta valtaosalla käyttäjistä.

2.2 VASTA-AIHEET

Provox ActiValve -laite EI ole tarkoitettu:

- asennettavaksi vastikään tehtyyn punktion,
- jätettäväksi paikalleen magneettikuvaustutkimuksen tai sädehoidon ajaksi.

2.3 Laitteen kuvaus

Provox ActiValve -ääniproteesi [Kuva 1] on epästeriili, yksisuuntainen venttiili, joka pitää trakeoesofageaalisen (TE) -punktion avoimena puhetta varten ja vähentää samalla juoman ja ruoan henkitorveen joutumisen riskiä. Siinä on kaksi kiinnitysuloketta [A] sekä vakautta lisäävä sininen rengas [B], joka toimii myös venttiilin läpän [C] tasaisena tiivistyspintana. Proteesi ei ole pysyvä implantaatti, vaan se täytyy vaihtaa ajoittain.

Laitteen runko on valmistettu lääketieteellisen laadun silikonikumista ja röntgenpositiivisesta fluoromuovista. Laite ei sisällä luonnonkumilateksia. Ulkohalkaisija on 7,5 mm (22.5 Fr). Provox ActiValve -laitteen pituus on joko 4,5, 6, 8, 10 tai 12,5 mm, ja venttiiliin voi valita kolme erilaista avauspainetta. Renkaassa ja venttiilin läpässä sijaitsevat magneetit [D] määrittävät avauspaineen (magneetteja ei voi säätää). Koska avausvoimat eivät ole todettavissa laitteen silmä määrällisen tarkastelun

perusteella, sen mukana toimitetaan Provox ActiValve -käyttäjäkortteja, jotka sisältävät tärkeää tietoa ääniproteesista. Jos kadotat käyttäjäkortit, ota yhteyttä lääkäriin saadaksesi tilalle uudet.

Seuraavat pakkauksen sisältämät osat on tarkoitettu potilaan käyttöön, ja saat ne lääkäritäsi:

- 2 Provox Brush -harjaa,
- 1 Provox Plug -tulppa,
- 1 Provox ActiValve Lubricant -liukastusaine,
- 1 hätäkortti.
- 2 Provox ActiValve -käyttäjäkorttia.

2.4 VAROITUKSET

Provox ActiValve -ääniproteesin vahingossa tapahtuva nieleminen on mahdollista. Mikäli näin tapahtuu, pyydä opastusta lääkäritäsi.

Provox ActiValve -ääniproteesi tai muita Provox ActiValve -puheen kuntoutusjärjestelmään kuuluvia osia voi vahingossa joutua hengitysteihin (esim. laitteen pudotessa henkitorveen). Välittömiin oireisiin voivat kuulua yskeminen, tukehtumisen tunne tai hengityksen vinkuminen. Jos näin käy, hakeudu heti hoitoon. Vierasesine hengitysteissä voi aiheuttaa vakavia komplikaatioita, ja lääkäriin tulee poistaa se.

Huomio: Laite saattaa joutua hengitysteihin tai tulla niellyksi ilman muita välittömiä oireita kuin mahdollista lievää yskemistä. Jos laite ei näy punktiossa, ota välittömästi yhteyttä lääkäriin olivat oireesi sitten vaikeita, lieviä tai olemattomia.

Uudelleenkäyttö ja uudelleenkäsitely saattaa aiheuttaa ristikontaminaation ja vaurioittaa laitetta, mistä voi koitua vahinkoa potilaalle.

Provox ActiValve -ääniproteesia tai sen lisävarusteita ei saa muuttaa. Tämä saattaa lisätä laitteen nielemisen tai hengitysteihin joutumisen vaaraa.

Provox ActiValve -ääniproteesia tai sen lisävarusteita ei saa muuttaa.

2.5 VAROTOIMET

Kysy neuvoa lääkäritäsi, jos:

- Proteesin ympäriltä tai sen läpi tulee vuotoa (yskemistä ja/tai muutoksia liman värissä).
- Puhuminen vaikeutuu (vaatii enemmän ponnistelua ja/tai ääni kuulostaa rasittuneemmalta).
- Punktioalueella esiintyy tulehduksen oireita tai kudosuutoksia (kipua, kuumotusta, turvotusta, verta harjassa puhdistuksen jälkeen).
- Havaitset muutoksia ääniproteesimateriaalin ulkonäössä tai sen istuvuudessa punktion.
- Sinulla esiintyy usein yskemistä juomisen yhteydessä eikä ääniproteesin puhdistaminen poista ongelmaa. Tämä voi olla varhainen merkki ääniproteesin läpi tai ympäriltä tulevasta vuodosta.
- Laitteen ympärillä esiintyy verenvuotoa tai kudoksen liikkasvua.
- Tunnet jatkuvaa kipua tai epämukavuutta Provox ActiValve -proteesin alueella.
- Sinulla on jatkuvaa yskää, hengitysvaikeuksia tai veristä limaa. Nämä voivat olla oireita vakavasta sairaudesta, joka vaatii lääketieteellistä hoitoa.

Infektiovaaran vähentämiseksi:

Varmista, että kätesi ovat täysin puhtaat ja kuivat ennen trakeestooman alueen koskettamista ja ennen ääniproteesin ja/tai lisävarusteiden puhdistamista.

Huolehdi kaikkien trakeestooman ja ääniproteesin kanssa kosketuksiin joutuvien laitteiden puhtaudesta.

Laittevahinkojen välttämiseksi:

Käytä ainoastaan alkuperäisiä Provox-lisävarusteita, jotka on tarkoitettu käytettäväksi Provox ActiValve -proteesin kanssa laitteen käsitelyyn ja puhdistamiseen. **Muut välineet voivat aiheuttaa henkilövahingon tai vahingoittaa ääniproteesia.**

Huolehdi ääniproteesin toimivuudesta puhdistamalla ja liukastamalla se ohjeiden mukaisesti.

Käytä Provox ActiValve -ääniproteesin liukastamiseen vain Provox ActiValve Lubricant -liukastusainetta. Muut liukastavat aineet voivat vahingoittaa ääniproteesia.

Loukkaantumisvaaran vähentämiseksi:

Kerro aina hoitohenkilökunnalle Provox ActiValve -ääniproteesistasi ja näytä Provox ActiValve -käyttäjäkorttisi ennen mahdollisia lääketieteellisiä hoitoja tai tutkimuksia. Katso myös osaa Vasta-aiheet.

Pidä Provox ActiValve Lubricant -liukastusaine ja muut lisävarusteet poissa lasten ja lemmikkieläinten ulottuvilta, sillä niiden sisäänhengittäminen tai nieleminen saattaa vahingoittaa niitä.

Älä yritä muuttaa Provox ActiValve -ääniproteesia kotona tai yksin. Vain terveydenhuollon ammattilainen saa poistaa ja vaihtaa laitteen.

3. Käyttöohjeet

3.1 Puhuminen Provox ActiValve -ääniproteesin avulla

Joillakin ihmisillä nielussa/ruokatorvessa syntyy alipainetta nielemisen tai sisäänhengityksen aikana. Tämä voi aiheuttaa venttiilin tahattoman avautumisen. Venttiilissä olevat magneetit lisäävät sen avautumiseen tarvittavaa alkupainetta. Näin tahaton avautuminen estyy.

Tämän seurauksena sinusta saattaa tuntua siltä, että tarvitset enemmän voimaa puhumisen aloittamiseen. Kun alussa tuntuvaan magneettiseen vastukseen tottuu, Provox ActiValve -ääniproteesi toimii aivan samoin kuin muut Provox-ääniproteesit.

3.2 Puhdistus ja kunnossapito

Ääniproteesin täytyy olla puhdas, jotta ilma pääsee kulkemaan sen läpi ja puhuminen onnistuu. Proteesin säännöllinen puhdistaminen pidentää myös sen käyttöikää.

Harjaa proteesi kahdesti päivässä ja aina aterioiden jälkeen Provox Brush -harjalla liman ja ruokajäämien poistamiseksi. Myös proteesin huuhteleminen Provox Flush -huuhtelulaitteella auttaa laitteen puhdistamisessa.

Liukasta ääniproteesi kerran päivässä, aamupuhdistuksen jälkeen, lisäämällä yksi tippa Provox ActiValve Lubricant -liukastusainetta ja käyttämällä Provox Brush -harjaa. Lue ennen käyttöä Provox ActiValve Lubricant -liukastusaineen käyttöohjeet.

Huomio:

- Älä annostele Provox ActiValve Lubricant -liukastusainetta ääniproteesiin suoraan pullosta, sillä nestettä saattaa tällöin joutua keuhkoihin [Kuva 2]. Tämä tai liukastusaineen käyttö joko liian suurina määrinä tai liian usein, saattaa aiheuttaa vaikeaa yskää, keuhkokuumetta tai vakavia hengitysongelmia.
- Älä suurena Provox ActiValve Lubricant -liukastusainepullon suuta.

3.3 Laitteen käyttöikä

Laitteen käyttöikä vaihtelee yksilöllisistä biologisista olosuhteista riippuen eikä laitteen rakenteellista eheyttä voi ennakoita pidemmällä aikavälillä. Esimerkiksi bakteerit ja hiivat vaikuttavat laitteen materiaaliin ja ennen pitkää sen rakenteellinen eheys heikkenee.

Tiettyjen elintarvikkeiden, kuten piimän, probioottien ja kofeiinipitoisten virvoitusjuomien, lisääminen ruokavalioon saattaa vähentää bakteerien ja hiivojen esiintymistä ääniproteesissa. Tasapainoinen ruokavalio on tärkeä, keskustele lääkärisi kanssa mahdollisista muutostarpeista.

3.4 Lisävarusteet

Provox Brush / Provox Brush XL -harjaa käytetään proteesin sisäosien puhdistamiseen ja Provox ActiValve Lubricant -liukastusaineen levittämiseen.

Provox Flush -huuhtelulaitetta käytetään muun puhdistamisen ohella proteesin huuhteluun.

Provox Plug -tulppa on ensiaputyökalu, joka estää väliaikaisesti proteesin läpi tulevan vuodon.

Provox ActiValve Lubricant -liukastusaine liukastaa venttiilin pinnan Provox ActiValve -proteesin sisällä.

3.5 Hävittäminen

Noudata aina lääketieteellistä käytäntöä ja biovaarallista ainetta koskevia kansallisia vaatimuksia lääkinnällistä laitetta hävitettäessä.

4. Haittatapahtumat / Oireperusteinen ongelmien määrittäminen

Provox ActiValve -ääniproteesin vaihtaminen on aiheellista esim. venttiilin läpi tulevan vuodon, proteesin tukkeutumisen, bakteerien ja Candida-hiivasiemen liikakasvun aiheuttaman materiaalien heikkenemisen ja/tai puheen tuottamiseen tarvittavan liiallisen paineen vuoksi. Muita vaihtamisen syitä ovat erilaiset lääketieteelliset perusteet, kuten punktiokanavaan liittyvät ongelmat.

Lääkärisi velvollisuutena on kertoa sinulle puhelukuntoutukseen liittyvistä hyödyistä ja riskeistä ja antaa ohjeita mahdollisten haittatapahtumien varalta. Jos et ole varma oletko ymmärtänyt kaikki ohjeet perusteellisesti, pyydä lääkäriltä lisäopastusta.

Oire: Yskiminen (juomisen ja syömisen aiheuttama) proteesin ollessa paikallaan.

Tavallisimmat syyt: Proteesin läpi tai ympäriltä tuleva vuoto.

Toimenpiteet:

1. Puhdistu proteesi Provox Brush -harjalla, ja mikäli mahdollista, myös Provox Flush -huuhtelulaitteella. Mahdolliset ruokajäämät voivat estää venttiiliä sulkeutumasta.

Jos vuoto jatkuu:

2. Tarkkaile proteesia juomisen yhteydessä. Yritä selvittää, tuleeko vuoto proteesin ympäriltä vai keskeltä.

- a) Jos vuoto tulee mielestäsi keskeltä, voit käyttää Provox Vega Plug -tulppaa vuodon ehkäisemiseksi syömisen ja juomisen yhteydessä. Kerro lääkärille, että tarvitset uuden proteesin.
- b) Jos vuoto tulee mielestäsi proteesin ympäriltä tai jos tulppa ei lopeta vuotoa, kerro asiasta lääkärille.

Oire: Puhuminen on toisinaan mahdotonta (venttiili ei avaudu).

Todennäköinen syy: Venttiilin kansi takertuu venttiilin istukkaan estäen venttiilin avautumisen. Tämä on sitä todennäköisempää mitä kauemmin venttiili on käyttämättömänä (esim. yön yli).

Toimenpiteet: Puhdista ääniproteesi ja liukasta se (katso osaa Puhdistus ja kunnossapito). Jos puhdistus ja liukastaminen eivät auta: Ota yhteyttä lääkäriisi.

Oire: Puhuminen tuntuu yhä vaikeammalta.

Tavallisimmat syyt: Tukos venttiilissä, turvotus nielussa (esim. säteilyhoidon aikana).

Toimenpiteet:

1. Puhdista proteesi Provox Brush -harjalla ja/tai Provox Flush -huuhtelulaitteella. Mahdolliset ruokajäämät saattavat lisätä ilmanvastusta.
2. Jos tämä ei auta: ota välittömästi yhteyttä lääkäriisi.

Oireet: Kipua, kuumotusta, turvotusta ja ihottumaa (yhdessä tai erikseen) proteesin tai stooman alueella.

Tavallisimmat syyt: kudostulehdus ja -infektiot.

Toimenpiteet: Ota välittömästi yhteyttä lääkäriisi.

Oireet: Harjassa näkyy käytön jälkeen verta.

Tavallisimmat syyt: Kudostulehdus ja -infektioita ruokatorven puolella.

Toimenpiteet: Ota välittömästi yhteyttä lääkäriisi.

5. Lisätietoja

5.1 Lentomatkustaminen

Tämä laite sisältää 2 magneettia; koko 1–1,5 mm, paino 0,15–0,2 grammaa. Magneetit eivät todennäköisesti vaikuta esim. lentokentillä käytettäviin metallinilmaisimiin, mutta varmuuden vuoksi turvallisuushenkilöstölle on hyvä kertoa etukäteen ääniproteesista ja näyttää Provox ActiValve -käyttäjäkortti.

5.2 Painoajankohta ja käyttäjätukeen liittyvät tiedot

Näiden käyttöohjeiden versionumero, laatija ja yhteystiedot on annettu takakannessa.

6. Ilmoittaminen

Huomaa, että kaikista laitetta koskevista vakavista vaaratilanteista pitää ilmoittaa valmistajalle ja käyttäjän ja/tai potilaan asuinmaan kansalliselle viranomaiselle.

Provox ActiValve-talendurhæfingarkerfi

Meðhöndlun á öndunarvegi með barkarauf

Neyðaraðstæður

Mikilvægt er að neyðarstarfsmenn viti að þú andir um barkarauf. Það hjálpar þeim við að ákvarða að gefa þurfi súrefni eða veita öndunarhjálp í barkaraufina en ekki um munn eða nef.

Við mælum með að þú og lækniþinn hlaðið niður leiðbeiningum um öndunarhjálp frá www.atosmedical.com/rescuebreathing Í pakkanum með Provox ActiValve finnur þú skærgult neyðarkort og Provox ActiValve-notendakort. Við mælum með að þú hafir bæði neyðarkortið og Provox ActiValve-notendakortið á þér öllum stundum.

Valaðstæður

Ef þú þarft að gangast undir aðgerð sem krefst barkaþræðingar (öndunarslanga sett í barkann) er mjög mikilvægt að svæfingalækniþinn og lækniþinn sem framkvæmir aðgerðina viti af því að þú andar um barkarauf og notar talventil. Mikilvægt er að þeir skilji að halda eigi talventilinum á sínum stað. Ef hann er fjarlægður getur vökvi frá munni, vélinda eða maga borist inn í barkann.

Afar mikilvægt er að koma barkaslöngunni fyrir og fjarlægja hana varlega, svo að talventillinn losni ekki eða detti úr.

1. Orðalisti

Heilbrigðisstarfsmaður - Læknir eða talþjálf/talmeinafræðingur með viðeigandi leyfi eða klínískur sérfræðingur í hjúkrun sem er þjálfður í aðferðum við raddendurhæfingu.

HME - Varma- og rakaskiptir. Tæki sem viðheldur hita og raka útöndunarlofts og skilar því aftur í loftið þegar þú andar að þér.

PE-hluti - Kok-vélindehluti. Hluti vélinans þar sem hljóð er búið til með titingri vefja þegar talventill er notaður.

TE-op – Ástunga milli barka og vélinda. Lítið gerviop sem búið er til milli barka og vélinda þar sem talventilinum er komið fyrir.

Barkarauf - Öndunarop framan á hálsinum, þar sem barkinn er tengdur við húðina (einnig kallað „stóma“).

Talventill – Einstefnuventill sem er settur inn í TE-opið. Lokinn er með kraga á hvorri hlið sem halda lokanum á sínum stað. Hægt er að beina lofti um lokann til vélinans svo hægt sé að tala, um leið og dregið er úr hættu á að matvæli og vökvi berist inn í barkann.

2. Lýsandi upplýsingar

2.1 Ábendingar fyrir notkun

Provox ActiValve er ósæfður, innliggjandi talventill sem er ætlaður fyrir framvirka ísetningu í gróin op til raddendurhæfingar í kjölfar barkakýlisnáms. Tækið er ætlað sjúklingum sem finna fyrir snemmbúnum leka við notkun fyrri talventla (líftími tækis minni en 4–8 vikur). Tækið dregur úr þörf fyrir tíð skipti hjá flestum notendum, en þó ekki hjá öllum.

2.2 FRÁBENDINGAR

EKKI má nota Provox ActiValve:

- í nýgert op,
- meðan á segulómum eða geislameðferð stendur.

2.3 Lýsing á búnaðinum

Provox ActiValve-talventillinn [mynd 1] er ósæfður, einnota einstefnuventill sem heldur TE-opi á milli barka og vélinda opnu fyrir tal og dregur úr hættunni á að vökvi og fæða berist inn í barkann. Hann er með tvo festikraga [A] og bláan hring [B] sem tryggja stöðugleika og jafnt þéttisvæði fyrir flipa ventilsins [C]. Talventillinn er ekki varanleg ígræðsla og þarfnast reglubundinnar útskiptingar.

Tækið er gert úr læknisfræðilegu silikongúmmíi og geislaþéttu flúorplasti. Enginn hluti tækisins er framleiddur úr náttúrulegu gúmmilatexi. Ytra þvermálið er 7,5 mm (22,5 Fr). Provox ActiValve er fánlegur í lengdunum 4,5 mm, 6 mm, 8 mm, 10 mm og 12,5 mm, og unnt er að velja um mismikið afl við opnun lokans. Seglarnir [D] í hringnum og ventilflípanum stýra afli við opnun (ekki er hægt að stilla seglana). Þar sem ekki er hægt að sjá áskilið afl við notkun við einfalda skoðun fylgja tækinu Provox ActiValve-notendakort sem veita einnig mikilvægar upplýsingar um talventilinn. Ef þú týnir notendakortunum skaltu hafa samband við lækniþinn til að fá önnur í staðinn.

Eftirfarandi hlutir í umbúðunum eru ætlaðir til notkunar af sjúklingi og ætti læknirinn þinn að afhenda þér þá:

- 2 Provox burstar,
- 1 Provox Plug,
- 1 Provox ActiValve-smurefni,
- 1 neyðarkort.
- 2 Provox ActiValve-notendakort.

2.4 VARNAÐARORÐ

Hægt er að gleypa Provox ActiValve-talventilinn fyrir slysi. Ef þetta gerist skaltu hafa samband við lækninn til að fá frekari ráðleggingar.

Ásvelging (þ.e. þegar tækið berst inn í barkann) á Provox ActiValve-talventlinum eða öðrum íhlutum Provox ActiValve-talendurhæfingarkerfisins getur átt sér stað fyrir slysi. Fyrstu einkenni geta verið þau að sjúklingurinn hóstar, getur ekki náð andanum eða öndun verður hvæsandi. Ef þetta gerist þarf tafarlaust að leita læknishjálp. Aðskotahlutur í öndunarvegi getur valdið alvarlegum fylgikvillum og læknir þarf að fjarlægja slíka aðskotahluti.

Varúð: Tækið getur mögulega borist í öndunar- eða meltingarveg án þess að einkenni komi strax fram, eða þú finnur aðeins fyrir vægum hósta. Ef tækið er ekki sýnilegt í opinu skaltu hafa samband við lækni án tafar, óháð því hvort þú finnur fyrir miklum, vægum eða engum einkennum.

Endurnýting og endurvinnsla getur valdið víxlmengun og skemmdum á tækinu, sem gæti valdið sjúklingnum skaða.

Ekki má breyta Provox ActiValve-talventlinum eða neinum fylgihluta hans. Það getur aukið hættuna á því að tækið berist í öndunar- eða meltingarveg.

2.5 VARÚÐARRÁÐSTAFANIR

Ráðfærðu þig við lækninn ef um er að ræða:

- Leka í gegnum eða í kringum ventilinn (hósti og/eða breyting á lit slíms).
- Talerfiðleika (aukin áreynsla og/eða röddin hljómar þvingaðri).
- Merki um bólgu eða vefjabreytingar í kringum opið (verkur, hiti, bólga, vottur af blóði á bursta eftir burstun).
- Þú sérð breytingar á útliti efnisins í talventlinum eða því hvernig hann passar í opið.
- Þú hóstar oft við að drekka og það lagast ekki þegar talventillinn er hreinsaður. Þetta gæti verið fyrsta merkið um leka í gegnum eða í kringum talventilinn.
- Blæðingu eða ofvöxt vefja í kringum tækið.
- Viðvarandi verk eða óþægindi á svæði Provox ActiValve.
- Þrálátan hósta, öndunarerfiðleika eða blóðugt slím. Þetta geta verið vísbendingar um alvarleg heilsufarsvandamál sem krefjast læknishjálp.

Til að draga úr sýkingarhættu:

Tryggðu að hendur séu hreinar og þurrar áður en þú setur þær nálægt barkaraufinni og áður en þú hreinsar talventilinn og/eða fylgihluti.

Haltu öllum tækjum hreinum sem gætu farið inn í eða snert barkaraufina og talventilinn.

Til að draga úr hættu á skemmdum á vöru:

Notaðu eingöngu upprunalega Provox-fylgihluti sem ætlaðir eru til notkunar með Provox ActiValve við meðhöndlun og hreinsun á ventlinum. **Annar búnaður getur valdið meiðslum eða skemmt raddventilinn.**

Hreinsaðu og smyrðu talventilinn samkvæmt leiðbeiningum til að tryggja að hann virki sem skyldi.

Notaðu aðeins Provox ActiValve-smurefni til að smyrja Provox ActiValve-talventil. Önnur smurefni gætu skemmt talventilinn.

Til að draga úr hættu á meiðslum:

Láttu heilbrigðisstarfsfólk alltaf vita að þú sért með Provox ActiValve og sýndu þeim Provox ActiValve-notendakortið áður en þú gengst undir lækni-meðferð eða skoðun. Sjá einnig kaflann „Frábendingar“.

Geymdu Provox ActiValve-smurefni og annan aukabúnað þar sem börn og gæludýr ná ekki til, því hættu er á skaða við innöndun eða kyngingu.

Ekki reyna að breyta Provox ActiValve heima eða upp á eigin spýtur. Aðeins heilbrigðisstarfsfólk skal fjarlægja og skipta um tækið.

3. Notkunarleiðbeiningar

3.1 Hvernig á að nota Provox ActiValve til að tala

Sumir einstaklingar eru með neikvæðan þrýsting í koki/vélinda við kyngingu eða innöndun. Þetta getur valdið því að loki opnist óviljandi. Seglarnir í lokanum auka upphafsþrýstinginn sem þarf að beita til að opna hann. Þar með er komið í veg fyrir að hann opnist að óvörum.

Þar af leiðandi gæti þér líðið eins og þú þurfir að beita meira afli til að byrja að tala. Þegar upphaflega segulmótstaðan er rofin er Provox ActiValve svipaður í notkun og allir aðrir Provox-talventlar þegar talað er.

3.2 Þrif og viðhald

Til að þú getir talað með talventlinum verður hann að vera hreinn þannig að loftið geti streymt í gegnum hann. Regluleg hreinsun ventilsins hjálpar einnig við að lengja líftíma tækisins. Bursta skal ventillinn með Provox bursta tvisvar á dag og eftir hverja máltíð til að fjarlægja slím og matarleifar úr ventlinum. Einnig er gott að hreinsa tækið með því að skola ventillinn með Provox Flush.

Einu sinni á dag, eftir hreinsun á morgnana, skal einnig smyrja innri holrými talventilsins með einum dropa af Provox ActiValve smurefni með því að nota Provox bursta. Lesið notkunarleiðbeiningarnar sem fylgja Provox ActiValve smurefni fyrir notkun.

Varúð:

- Ekki setja Provox ActiValve smurefnið beint úr flöskunni á talventilinn þar sem það getur leitt vökvann í lungun [Mynd 2]. Ofnotkun smurefnisins í magni eða tíðni getur valdið miklum hósta, lungnabólgu eða alvarlegum öndunarerfiðleikum.
- Ekki stækka flöskuopið á Provox ActiValve smurefninu.

3.3 Endingartími búnaðar

Líftími tækisins er mismunandi og er háður einstaklingsbundnum líffræðilegum þáttum, því er ekki hægt að spá fyrir um endingu sjálfs búnaðarins yfir lengra tímabil. Efnið í tækinu verður fyrir áhrifum meðal annars af bakteríum og gersveppum, sem mun að lokum hafa áhrif á heilleika tækisins.

Neysla tiltekinnna matvæla eins og súrmjólkur, góðgerla og gosdrykkja með koffíni getur dregið úr myndun bakteria og gersveppa í talventlinum. Mikilvægt er að tileinka sér rétt samsett mataræði. Spurðu lækinn þinn hvort þú þurfir að gera breytingar á mataræðinu.

3.4 Aukabúnaður

Provox burstinn / Provox XL burstinn er notaður af sjúklingnum til að hreinsa ventillinn að innan eða bera á hann Provox ActiValve smurefni.

Provox Flush er viðbótarhreinsibúnaður fyrir skolun á ventlinum.

Provox Plug er skyndihjálpartæki sem er notað til að stöðva tímabundið leka í gegnum ventillinn.

Provox ActiValve smurefni er smurefni fyrir innra yfirborð Provox ActiValve ventilsins.

3.5 Förgun

Ávallt skal fylgja heilbrigðiskröfum sem og landsbundnum kröfum varðandi lífsnáhættu við förgun á notuðum lækningatækjum.

4. Aukaverkanir/bilanaleit eftir einkennum

Ábendingar um að skipta þurfi um Provox ActiValve-talventil eru meðal annars leki í gegnum talventilinn, stífla í talventlinum, ofvöxtur bakteria og hvítsveppa (candida) sem leiða til niðurbrots efna í honum og/eða þörf á miklum þrýstingi til að ná fram tali. Aðrar ástæður fyrir því að skipta þurfi um talventilinn eru meðal annars læknisfræðilegar ábendingar á borð við vandamál með ástunguopið.

Það er á ábyrgð læknisins að upplýsa þig um áhættu og ávinning af raddendurhæfingu með talventli og leiðbeina þér um hvað þú eigir að gera ef þú finnur fyrir aukaverkun. Ef þú ert ekki viss um að þú hafir skilið allar leiðbeiningarnar skaltu biðja lækinn um frekari útskýringar.

Einkenni: Hósti (þegar þú drekkur eða borðar) á meðan ventillinn er á sínum stað.

Algengustu orsakir: Leki í gegnum eða í kringum ventillinn.

Aðgerðir:

1. Hreinsaðu ventillinn með Provox bursta og ef mögulegt er með Provox Flush einnig. Matarleifar kunna að koma í veg fyrir að ventillinn lokist nægilega vel.

Ef lekinn heldur áfram:

2. Fylgstu með ventlinum á meðan þú drekkur. Reyndu að taka eftir því hvort það leki í gegnum miðjuna eða í kringum ventilinn.

- a) Ef þú telur að það leki gegnum miðjuna getur þú notað Provox Vega Plug tappann á meðan þú borðar og drekkur til að koma í veg fyrir leka. Láttu lækninn vita að þú þurfir nýjan ventil.
- b) Ef þú telur að það leki í kring, eða ef tappinn stöðvar ekki lekann, skaltu láta lækninn vita að það gæti verið leki í kringum ventilinn.

Einkenni: Stundum ekki hægt að tala (lokinn opnast ekki).

Líkleg orsök: Lokið á ventlinum festist við ventilsetið sem kemur í veg fyrir að lokinn geti opnast. Þetta verður líklega því lengur sem lokinn hefur ekki verið í notkun (t.d. yfir nótt).

Aðgerðir: Þrífðu talventilinn og smyrjið hann (sjá kaflann „Þrif og viðhald“). Ef hreinsun og smurning hjálpa ekki: Hafðu samband við lækninn.

Einkenni: Tal verður sífellt erfiðara.

Algengustu orsakir: Stífla í ventli, bólga í vefjum í hálsi (t.d. meðan á geislameðferð stendur).

Aðgerðir:

1. Hreinsaðu ventilinn með Provox bursta og/eða Provox Flush. Matarleifar kunna að auka viðnám loftstreymisins.
2. Ef það hjálpar ekki: Hafðu tafarlaust samband við lækninn.

Einkenni: Verkur, hiti, bólga og útbrot (saman eða eitt sér) nálægt ventlinum eða barkaraufinni.

Algengustu orsakir: Bólga í vefjum og sýkingar.

Aðgerðir: Hafðu tafarlaust samband við lækninn.

Einkenni: Vottur af blóði sést á burstanum eftir burstun.

Algengustu orsakir: Bólga í vefjum og sýkingar á vélindahliðinni.

Aðgerðir: Hafðu tafarlaust samband við lækninn.

5. Nánari upplýsingar

5.1 Flugferðir

Tækið inniheldur 2 segla sem eru 1–1,5 mm að stærð og 0,15–0,2 grömm að þyngd. Ólíklegt er að seglarnir greinist í málmleitartækjum eins og þeim sem notuð eru á flugvöllum en til að forðast uppákomur er ráðlagt að láta öryggisverði vita af talventlinum fyrirfram og sýna þeim Provox ActiValve-notendakortid.

5.2 Dagsetning prentunar og upplýsingar um aðstoð við notendur

Útgáfunúmer þessara notkunarleiðbeininga og samskiptaupplýsingar framleiðanda eru á bakhliðinni.

6. Tilkynningaskylda

Vinsamlega athugið að tilkynna skal öll alvarleg atvik sem upp koma í tengslum við notkun tækisins til framleiðanda, sem og til yfirvalda í því landi þar sem notandi og/eða sjúklingur hefur búsetu.

Provox ActiValve hangrehabilitációs rendszer

Légútbiztosítás stomával

Sürgősségi helyzetek

Fontos, hogy a sürgősségi személyzet tudjon arról, hogy Ön tracheostomán keresztül lélegzik. Ez segít meghatározni azt, hogy az oxigén és a sürgősségi lélegeztetést a stomába, és nem szájba vagy orrra kell adni.

Javasoljuk, hogy Ön és klinikusa töltsse le a sürgősségi lélegeztetésre vonatkozó irányelveket a

www.atosmedical.com/rescuebreathing oldalról.

A Provox ActiValve csomagjában talál egy élénk sárga sürgősségi kártyát és egy Provox ActiValve felhasználói kártyát. Azt javasoljuk, hogy mindig tartsa magánál a sürgősségi kártyát és a Provox ActiValve felhasználói kártyát is.

Elektív helyzetek

Ha olyan eljárásról kell átesnie, amely intubációt (lélegeztető tubus behelyezése a légcsőbe) igényel, nagyon fontos, hogy az aneszteziológus és az eljárást végző orvos tudjon arról, hogy Ön tracheostomával él, és hangprotézist használ. Fontos, hogy megértsék azt, hogy a hangprotézisnek a helyén kell maradnia. Ha eltávolítják, a szájból, a nyelöcsőből vagy a gyomorból folyadék juthat a légcsőbe. Nagyon fontos, hogy az intubációs tubust óvatosan vezessék be és távolítsák el, hogy a hangprotézis ne mozduljon el, és ne essen ki.

1. Szószedet

Klinikus – Egészségügyi szakember vagy megfelelő engedéllyel rendelkező beszéd- és nyelvterapeuta/-patológus vagy klinikai szakasszisztens, aki hangrehabilitációs eljárások terén képzett.

HME – Hő- és nedvességcserélő (Heat and Moisture Exchanger, HME). Olyan eszköz, amely megtartja a kilélegzett levegő hőjét és nedvességét, amelyet belélegzéskor visszajuttat a levegőbe.

PE-szegmens – Pharyngo-oesophagealis (torok-nyelöcsői) szegmens. A nyelöcsőnek az a része, ahol hangprotézis használata során a szövetek rezgése révén a hang létrejön.

TE-punkció – Tracheo-oesophagealis punkció. A légső és a nyelöcső között létrehozott, kisméretű, mesterséges nyílás, ahova a hangprotézist elhelyezik.

Tracheostoma – Légzőnyílás a nyak elején, ahol a légső a bőrhöz csatlakozik (hívják stomának is).

Hangprotézis – Egyutas szelep, amelyet a TE punkcióba helyeznek. A szelep mindkét oldalán van egy perem, amely a helyén tartja a szelepet. A levegő átírányítható a szelepen a légcsőbe a beszédhez, csökkentve közben annak kockázatát, hogy étel és folyadék jut a légcsőbe.

2. Leíró jellegű információ

2.1. Felhasználási javallatok

A Provox ActiValve nem steril, bennmaradó hangprotézis, amely teljes gégeeltávolítást követően a gyógyult punkcióba anterográdfeljárásal történő behelyezésre szolgál. Az eszköz olyan betegeknek készült, akik korábbi hangprotézisekkel korai szivárgást tapasztaltak (az eszköz élettartama 4–8 hétnél kevesebb). Az eszköz a felhasználók többségénél csökkenti a gyakori csere szükségességét, de nem mindenkinél.

2.2. ELLENJAVALLATOK

A Provox ActiValve NEM szolgál a következő célokra:

- újonnan készült punkcióba való behelyezésre,
- arra, hogy MRI-vizsgálat (mágneses rezonanciás képalkotás) vagy sugárterápia során bent legyen.

2.3 Az eszköz leírása

A Provox ActiValve hangprotézis (1. ábra) nem steril, egyszer használatos, egyirányú szelep, amely a TE-punkciót nyitva tartja beszéd céljából, miközben csökkenti annak kockázatát, hogy folyadék és étel jusson a légcsőbe. Két megtartó pereme van [A] és egy kék gyűrűje [B], amely stabilitást biztosít, illetve egyenes szigetelő felszínt a szelepfülnek [C]. A protézis nem állandó implantátum, időközönként cserélni kell.

Az eszköz orvosi minősítésű szilikonumból és sugárfogó fluoroplasztikából készült. Az eszköznek nincs természetes gumilatexből készült része. A külső átmérő 7,5 mm (22,5 Fr). A Provox ActiValve 4,5, 6, 8, 10 és 12,5 mm-es hosszban kapható, és a szelep különböző nyílási erejű lehet. A gyűrűben és a szelepfülön lévő mágnesek [D] határozzák meg a nyílási erőt (a mágnesek nem állíthatók). Mivel a

nyílási erő nem látható egyszerű, megtekintéssel végzett átvizsgálással, az eszközhöz mellékelte Provox ActiValve felhasználói kártya fontos információkat is ad a hangprotézisről. Ha elvesztette a felhasználói kártyát, forduljon klinikusához, aki elintézi a kártya pótlását.

A csomagban a következő tételek a beteg használatára szolgálnak, ezeket meg kell kapnia klinikusától:

- 2 Provox Brush kefe,
- 1 Provox Plug dugó,
- 1 Provox ActiValve Lubricant sikosító,
- 1 sürgősségi kártya,
- 2 Provox ActiValve felhasználói kártya.

2.4. FIGYELMEZTETÉSEK

Előfordulhat a Provox ActiValve hangprotézis véletlen lenyelése. Ha ez történik, forduljon orvosához, aki tanácsot ad a továbbiakról.

Előfordulhat a Provox ActiValve hangprotézis vagy a Provox ActiValve hangrehabilitációs rendszer más alkotóelemeinek véletlen belélegzése (légsőbe jutása, aspirációja) (vagyis az eszköz belesik a légsőbe). Az azonnali tünetek között előfordulhat köhögés, fuldoklás vagy zihálás. Ha ez történik, azonnal kérjen orvosi ellátást. A légutakban lévő idegen test súlyos szövödményeket okozhat, és klinikusnak kell eltávolítania.

Figyelem: Az eszközt azonnali tünetek nélkül vagy csupán enyhe köhögés mellett is belélegezheti vagy lenyelheti. Ha az eszköz nem látható a punkcióban, azonnal forduljon a klinikushoz, akár súlyos vagy enyhe tünetei vannak, akár nincs tünete.

Újrafelhasználása és újrafelhasználásra való előkészítése keresztfertőzést okozhat és károsíthatja az eszközt, ami ártalmas lehet a beteg számára.

Ne módosítsa a Provox ActiValve hangprotézist vagy bármely tartozékát. Ez növelheti az eszköz aspirációjának vagy lenyelésének kockázatát.

Ne módosítsa a Provox ActiValve hangprotézist vagy bármely tartozékát.

2.5. ÓVINTÉZKEDÉSEK

A következő esetekben forduljon a klinikushoz:

- Szívárgás észlelhető a protézisen keresztül vagy körülötte (köhögés; és/vagy a nyálka színének megváltozása).
- Nehézzé válik a beszéd (nagyobb erőfeszítés és/vagy a hang erőltetettebbnek tűnik).
- A punkció területén gyulladás vagy a szövet elváltozásának bármely jele tapasztalható (fájdalom, hő, duzzanat, vérnyomok a kefen annak használata után).
- Változást lát a hangprotézis anyagának megjelenésében vagy a punkcióban való elhelyezkedésében.
- Gyakran köhög ivás közben, és a hangprotézis megtisztítása nem segít. Ez a hangprotézisen keresztüli vagy a körüli szívárgás korai jele lehet.
- Vérzés vagy szövetszaporulat van az eszköz körül.
- Állandó fájdalmat vagy kellemetlenséget érez a Provox ActiValve területén.
- Krónikus köhögést, légzési nehézséget vagy a nyálkában vért tapasztal. Ezek komoly betegség jelei lehetnek, amelyek orvosi ellátást igényelnek.

A fertőzés kockázatának csökkentése érdekében:

Gondoskodjon arról, hogy a keze teljesen tiszta és száraz legyen, mielőtt a tracheostoma területére helyezné, illetve a hangprotézis és/vagy tartozékai tisztítása előtt.

Tartson minden olyan eszközt tisztán, amely bejuthat a tracheostomába és a hangprotézisbe, vagy ezekkel bárhogyan érintkezhet.

A termék károsodása kockázatának csökkentése érdekében:

Csak eredeti Provox tartozékokat használjon, amelyeket a protézis kezelése és tisztítása céljából a Provox ActiValve protézissel való használatra terveztek. **Más eszközök személyi sérülést okozhatnak, vagy a hangprotézis sérülését eredményezhetik.**

Az utasítások szerint tisztítsa és sikosítsa a hangprotézist, hogy az megőrizze működőképességét.

A Provox ActiValve hangprotézis sikosításához kizárólag Provox ActiValve Lubricant sikosítót használjon. Más sikosítók károsíthatják a hangprotézist.

A sérülés kockázatának csökkentése érdekében:

Mielőtt bármilyen orvosi kezelésen vagy vizsgálaton részt venne, mindig tájékoztassa az egészségügyi személyzetet a Provox ActiValve-ről, és mutassa meg a Provox ActiValve felhasználói kártyát. Lásd az Ellenjavallatok című részt is.

Tartsa a Provox ActiValve Lubricant sikosítót és más tartozékokat gyermekektől és háziállatoktól távol, mert ezek belélegzése vagy lenyelése sérülést okozhat nekik.

Ne kísérelje meg saját maga kicserélni a Provox ActiValve eszközt otthon. Az eszközt kizárólag egészségügyi szakember távolíthatja el és cserélheti.

3. Használati útmutató

3.1 A Provox ActiValve használata beszédhez

Néhány betegnél negatív nyomás alakul ki a garatban/nyelocsőben nyelés vagy belégzés közben. Ez a szelep véletlen kinyílását okozhatja. A szelepen lévő mágnesek növelik a szelep kinyitásához szükséges kezdeti nyomást, ezzel megakadályozzák a szelep véletlen kinyílását.

Ennek következtében azt érezheti, hogy nagyobb erőre van szüksége ahhoz, hogy beszélni kezdjen. A kezdeti mágneses ellenállás legyőzése után a Provox ActiValve hasonlóan működik, mintha más Provox hangprotézissel beszélne.

3.2 Tisztítás és karbantartás

Ahhoz, hogy beszélhessen a hangprotézissel, annak tisztának kell lennie, hogy a levegő áthaladhasson rajta. A protézis rendszeres tisztítása elősegíti az eszköz élettartamának meghosszabbítását is.

Naponta kétszer és minden étkezés után kefélje ki a protézist a Provox Brush kefével, hogy eltávolítsa belőle a nyálkát és az ételmaradékokat. Az eszköz tisztítását segíti a protézis átöblítése is a Provox Flush öblítővel.

Naponta egyszer, a reggeli tisztítás után a Provox Brush kefe segítségével sikósítsa meg a hangprotézis belső lumenét egy csepp Provox ActiValve Lubricant sikosítóval. Használat előtt olvassa el a Provox ActiValve Lubricant sikosítóhoz mellékelt használati útmutatót.

Figyelem:

- Ne alkalmazza a Provox ActiValve Lubricant sikosítót a hangprotézisen közvetlenül az üvegből, mert a tüdőben lerakódhat a folyadék [2. ábra]. Ez, illetve a sikosító túl nagy mennyiségben vagy gyakoriságban történő használata súlyos köhögést, tüdőgyulladást vagy súlyos légzésproblémákat okozhat.
- Ne tágítsa ki a Provox ActiValve Lubricant üvegeinek nyílását.

3.3 Az eszköz élettartama

Az egyéni biológiai körülményektől függően az eszköz élettartama változó, és nem jósolható meg annak szerkezeti épsége hosszabb időn keresztül. Az eszköz anyagát károsítják például a baktériumok és az élesztőgombák, ami miatt az eszköz szerkezeti épsége romlani fog.

Bizonyos élelmiszerek, például az író, a probiotikumok és a koffeintartalmú üdítőitalok csökkenthetik a baktériumok és élesztőgombák előfordulását a hangprotézisen. A kiegyensúlyozott étrend fontos; kérjük, beszélje meg klinikusával, ha étrendje módosítása javasolt.

3.4 Tartozékok

A **Provox Brush / Provox Brush XL** a protézis belsejének tisztítására vagy a Provox ActiValve Lubricant sikosító alkalmazására szolgál. A **Provox Flush** öblítő egy másik tisztítóeszköz, amellyel a protézis átöblíthető.

A **Provox Plug** elsősegélynyújtó eszköz, amely átmenetileg megakadályozza a protézisen keresztüli szivárgást.

A **Provox ActiValve Lubricant** a Provox ActiValve belsejében lévő szelep felszínének sikosítójaként szolgál.

3.5 Hulladékba helyezés

Használt orvosi eszközök hulladékba helyezésétől mindig kövesse a biológiailag veszélyes hulladékok kezelésére vonatkozó orvosi gyakorlatot és nemzeti követelményeket.

4. Nemkívánatos események / Hibaelhárítás a tünetek alapján

A Provox ActiValve hangprotézis cseréjének szükségességét jelzi többek között a szelepen keresztül tapasztalható szivárgás, a protézis eltömődése, baktériumok vagy candida elszaporodása, amely az anyagok tönkremeneteléhez vezet, és/vagy az, ha túl nagy nyomás szükséges a beszéd létrehozásához. A csere egyéb okai között orvosi javallatok is szerepelnek, például a punkciós nyomvonal problémái. Az orvos feladata, hogy tájékoztassa Önt a protézissel történő hangrehabilitáció kockázatairól és előnyeiről, és hogy ellássa Önt instrukciókkal arra az esetre, ha nemkívánatos eseményekkel találkozna. Ha nem biztos abban, hogy teljesen megértette az összes instrukciót, kérjen orvosától további magyarázatot.

Tünet: köhögés (amelyet ivás vagy evés vált ki), miközben a protézis a helyén van.

A leggyakoribb okok: Szivárgás a protézisen át vagy a körül.

Intézkedés:

1. Tisztítsa meg a protézist a Provox Brush kefével és ha lehet, a Provox Flush öblítővel is. Ételmaradékok akadályozhatják a szelep megfelelő záródását.

Ha a szivárgás továbbra is fennáll:

2. Figyelje meg a protézist ivás közben. Próbálja meghatározni, hogy a közepén keresztül vagy a protézis körül szivárog-e.

- a) Ha úgy gondolja, hogy a közepén keresztül szivárog, a szivárgás megakadályozása érdekében evés és ivás közben használhatja a Provox Vega Plug dugót. Értesítse orvosát, hogy új protézisre van szüksége.
- b) Ha úgy gondolja, hogy körben szivárog, vagy ha a Plug dugó nem állítja el a szivárgást, értesítse klinikusát, hogy szivárgás lehet a protézise körül.

Tünet: Időnként nem tud beszélni (a szelep nem nyílik ki).

Lehetséges ok: A szelep fedele hozzátapad a szelepfészkekhez, megakadályozva a szelep kinyílását. Ennek valószínűsége annál nagyobb, minél hosszabb ideje nem használta a szelepet (pl. éjszaka).

Intézkedés: Tisztítsa meg és síkosítsa a hangprotézist (lásd Tisztítás és karbantartás rész). Ha a tisztítás és a síkosítás nem segít: Forduljon klinikusához.

Tünet: a beszéd egyre nehezebbé válik.

A leggyakoribb okok: A szelep eltömődése, szövet duzzadása a torokban (például sugárterápia alatt).

Intézkedés:

1. Tisztítsa meg a protézist a Provox Brush kefével és/vagy a Flush öblítővel. Ételmарadékok növelhetik a légáramlással szembeni ellenállást.
2. Ha ez nem segít: Azonnal forduljon orvosához.

Tünetek: Fájdalom, hó, duzzanat és kiütés (együtt vagy önmagában) a protézis vagy a stoma területén.

A leggyakoribb okok: Szövetgyulladás vagy fertőzés.

Intézkedés: Azonnal forduljon orvosához.

Tünetek: Vérnyomok láthatók a keféen a tisztítás után.

A leggyakoribb okok: Szövetgyulladás és fertőzés a nyelvcső oldalán.

Intézkedés: Azonnal forduljon orvosához.

5. További információ

5.1 Légi utazás

Ez az eszköz 2 mágneset tartalmaz, méretei: 1–1,5 mm, súlya 0,15–0,2 gramm. Nem valószínű, hogy a mágnesek aktiválják a repülőtereken használt fémdetektorokat, de az incidensek elkerülése érdekében tanácsos lehet előre tájékoztatni a biztonsági személyzetet a hangprotézisről, és megmutatni nekik a Provox ActiValve felhasználói kártyát.

5.2 Nyomtatás dátuma és felhasználói támogatásra vonatkozó információ

A jelen Használati útmutató verziószámát és a gyártó kapcsolattartási adatait a hátoldalon találja.

6. Jelentési kötelezettség

Felhívjuk a figyelmét, hogy az eszközt érintő bármilyen súlyos balesetet jelenteni kell a gyártónak és a felhasználó/beteg lakóhelye szerint illetékes ország hatóságának.

System rehabilitacji głosu Provox ActiValve

Postępowanie w przypadku oddychania przez stomę

Sytuacje wymagające nagłej pomocy

Ważne jest, aby personel ratunkowy wiedział, że oddychasz przez otwór w szyi. Ułatwi im to ustalenie, że podawanie tlenu i sztuczne oddychanie muszą być wykonywane przez stomę, a nie usta czy nos.

Zalecamy Pani/Panu i lekarzowi pobranie wytycznych dotyczących sztucznego oddychania ze strony www.atosmedical.com/rescuebreathing

W opakowaniu Provox ActiValve znajduje się jasnożółta informacyjna karta bezpieczeństwa i karta użytkownika Provox ActiValve. Zalecamy, aby zawsze mieć przy sobie zarówno informacyjną kartę bezpieczeństwa, jak i kartę użytkownika Provox ActiValve.

Zabiegi planowe

Jeśli zachodzi konieczność poddania się zabiegowi wymagającemu intubacji (umieszczenia rurki do oddychania w tchawicy), bardzo ważne jest, aby anesteziolog i lekarz wykonujący zabieg mieli świadomość, że oddychasz przez stomę i używasz protezy głosowej. Istotne jest zrozumienie przez nich, że proteza głosowa ma pozostać na swoim miejscu. Jej wyjęcie może spowodować dostanie się płynów z ust, przewodu pokarmowego lub żołądka do tchawicy.

Bardzo ważne jest ostrożne wkładanie i wyjmowanie rurki intubacyjnej, aby proteza głosowa nie uległa przemieszczeniu ani wyjęciu.

1. Słownik pojęć

Lekarz — przeszkolony w zakresie procedur rehabilitacji głosu pracownik służby zdrowia lub licencjonowany logopeda/ patolog bądź wyspecjalizowana pielęgniarka kliniczna.

HME — wymiennik ciepła i wilgoci (ang. Heat and Moisture Exchanger). Urządzenie, które zatrzymuje ciepło i wilgoć z wydychanego powietrza, a następnie zwraca do powietrza wdychanego.

Odcinek PE — odcinek gardłowo-przełykowy. Odcinek przełyku, w którym przy stosowaniu protezy głosowej dochodzi do emisji dźwięku poprzez wibrację tkanek

Przetoka TE — przetoka tchawiczoprzełykowa. Niewielki, sztucznie wytworzony otwór pomiędzy tchawicą (drogami oddechowymi) a przełykiem (przewodem pokarmowym), w którym umieszcza się protezę głosową.

Tracheostoma — otwór umożliwiający oddychanie, znajdujący się w przedniej części szyi, łączący tchawicę z powierzchnią skóry (określany również jako „stoma”).

Proteza głosowa — jednokierunkowa zastawka umieszczana w przetoce tchawiczoprzełykowej. Zastawka ma po każdej stronie kołnierzy utrzymujący ją na miejscu. Powietrze można przekierować przez zastawkę do przełyku w celu umożliwienia mówienia, jednocześnie zmniejszając ryzyko przedostania się pokarmów i płynów do krtani.

2. Informacje opisowe

2.1 Wskazania do stosowania

Provox ActiValve jest niesterylną, wszczepialną protezą głosową przeznaczoną do wprowadzenia bezpośrednio do wygojonej przetoki w celu rehabilitacji głosu po całkowitej laryngektomii. Urządzenie przeznaczone jest dla pacjentów, u których występuje zbyt częste przeciekanie w przypadku korzystania z wcześniejszych protez głosowych (żywność urządzenia krótsza niż 4–8 tygodni). Urządzenie ogranicza konieczność częstych wymian u większości użytkowników, ale nie u wszystkich.

2.2 PRZECIWWSKAZANIA

System Provox ActiValve NIE jest przeznaczony:

- do umieszczania w świeżo wytworzonej przetoce,
- do stosowania podczas badań RM (obrazowania metodą rezonansu magnetycznego) lub radioterapii.

2.3 Opis urządzenia

Proteza głosowa Provox ActiValve [rys. 1] jest niejałową jednokierunkową zastawką jednorazowego użytku, która umożliwia wytwarzanie głosu poprzez kierowanie powietrza do przełyku i jednocześnie zmniejsza ryzyko przedostania się płynów i pokarmów do tchawicy. Wyposażona jest w dwa kołnierze utrzymujące [A] i niebieski pierścień [B], który zapewnia stabilność ułożenia oraz uszczelnienie klapki zastawki [C]. Proteza nie jest trwałym implantem i wymaga okresowej wymiany.

Urządzenie wykonane jest z silikonu medycznego oraz tworzywa fluorowego widocznego w badaniu RTG. Żadna część urządzenia nie została wykonana z kauczuku naturalnego (lateksu). Średnica zewnętrzna to 7,5 mm (22,5 F). Dostępne protezy Provox ActiValve mogą mieć długość 4,5; 6; 8; 10 i 12,5 mm oraz wymagać różnych sił do otwarcia zastawki. Magnesy [D] w pierścieniu i klapce zastawki określają siłę potrzebną do otwarcia protezy (magnesy nie są regulowane). Ponieważ z wyglądu zewnętrznego protezy nie jest możliwe określenie jej siły otwarcia, urządzenie jest dostarczane z kartami użytkownika protezy Provox ActiValve, które zawierają również ważne informacje na temat protezy głosowej. W przypadku utraty którejś z kart użytkownika należy skontaktować się z lekarzem w celu zamówienia nowej karty.

Poniższe elementy w opakowaniu są przeznaczone do użytku przez pacjenta i powinny być przekazane przez lekarza:

- 2 szczoteczki Provox Brush,
- 1 zatyczka Provox Plug,
- 1 środek poślizgowy Provox ActiValve Lubricant,
- 1 informacyjna karta bezpieczeństwa,
- 2 karty użytkownika Provox ActiValve.

2.4 OSTRZEŻENIA

Może dojść do przypadkowego połknięcia protezy głosowej Provox ActiValve. W takiej sytuacji należy skontaktować się z lekarzem, który udzieli dalszych wskazówek.

Może dojść do przypadkowej aspiracji (tj. przedostania się urządzenia do tchawicy) protezy głosowej Provox ActiValve lub innych elementów systemu rehabilitacji głosu Provox ActiValve. Pierwsze objawy mogą obejmować kaszel, dławienie się lub świszczący oddech. W takiej sytuacji należy niezwłocznie zgłosić się do lekarza. Obce ciało w drogach oddechowych może spowodować poważne powikłania i musi zostać usunięte przez lekarza.

Uwaga: Po aspiracji lub połknięciu urządzenia mogą nie wystąpić natychmiastowe objawy lub może pojawić się tylko łagodny kaszel. Jeśli urządzenie nie jest widoczne w przełyce, należy natychmiast skontaktować się z lekarzem, niezależnie od tego, czy objawy są poważne, łagodne czy też nie występują.

Ponowne użycie i przygotowanie do ponownego użycia może skutkować zakażeniem krzyżowym oraz uszkodzeniem urządzenia, które może spowodować urazy u pacjenta

Nie należy modyfikować protezy głosowej Provox ActiValve ani żadnego z jej akcesoriów. Może to zwiększyć ryzyko aspiracji lub połknięcia urządzenia.

2.5 ŚRODKI OSTROŻNOŚCI

Należy powiedzieć lekarzowi, jeśli u pacjenta:

- Występuje przećiek przez protezę lub wokół protezy (kaszel i/lub zmiana koloru śluzu).
- Mówienie staje się trudniejsze (konieczny większy wysiłek i/lub głos bardziej wyczerpany).
- Występują objawy stanu zapalnego lub zmiany dotyczące tkanek w obrębie przetoki (ból, zwiększenie ciepłoty, obrzęk, ślady krwi na szczoteczce po czyszczeniu).
- Występują zauważalne zmiany w wyglądzie materiału, z którego wykonana jest proteza głosowa lub w sposobie, w jaki jest ona ułożona w przełyce.
- Często podczas picia występuje kaszel, a czyszczenie protezy głosowej nie rozwiązuje problemu. Może to być wczesny objaw przecieku przez protezę głosową lub wokół niej.
- Występuje krwawienie lub przerost tkanki wokół urządzenia.
- Występuje uporczywy ból lub dyskomfort w obrębie protezy Provox ActiValve.
- Występuje przewlekły kaszel, problemy z oddychaniem lub krew w śluzie. Mogą to być oznaki poważnego problemu zdrowotnego, który wymaga pomocy medycznej.

W celu zmniejszenia ryzyka zakażenia:

Przed użyciem przez pacjenta rąk w okolicy tracheostomy i umieszczeniem dłoni w pobliżu protezy głosowej i/lub akcesoriów należy upewnić się, że ręce zostały dokładnie umyte i osuszone.

Wszystkie urządzenia, które mają lub mogą mieć kontakt z tracheostomą i protezą głosową, należy utrzymywać w czystości.

W celu zmniejszenia ryzyka uszkodzenia produktu:

Do czyszczenia i obsługi protezy należy używać wyłącznie oryginalnych akcesoriów Provox, przeznaczonych do użytku z protezą głosową Provox ActiValve. **Inne urządzenia mogą powodować urazy ciała lub uszkodzenie protezy głosowej.**

Czyścić protezę głosową i nakładać na nią środek poślizgowy zgodnie z zaleceniami, aby utrzymać jej funkcjonalność.

Do smarowania protez głosowych Provox ActiValve należy stosować tylko środek poślizgowy Provox ActiValve Lubricant. Inne środki poślizgowe mogą uszkodzić protezę głosową.

W celu zmniejszenia ryzyka urazu:

Zawsze informować personel medyczny o swojej karcie użytkownika Provox ActiValve i pokazać swoją kartę użytkownika Provox ActiValve przed poddaniem się jakiegokolwiek leczeniu lub badaniu. Patrz również część Przeciwwskazania.

Środek poślizgowy Provox ActiValve Lubricant i pozostałe akcesoria należy przechowywać w miejscu niedostępnym dla dzieci i zwierząt domowych, które mogą uciepić w wyniku jego wdychania lub połknięcia.

Nie należy dokonywać prób wymiany protezy Provox ActiValve w domu lub samodzielnie. Urządzenie powinno być wyjmowane i wymieniane wyłącznie przez personel medyczny.

3. Instrukcja użycia

3.1 Korzystanie z Provox ActiValve w celu mówienia

U niektórych osób występuje podciśnienie w gardle/przełyku podczas połykania lub wdechu. Może to doprowadzić do niezamierzonego otwarcia zastawki. Magnesy w zastawce powodują zwiększenie wartości ciśnienia potrzebnego do otwarcia zastawki. W ten sposób zapobiega się niezamierzonemu otwarciu zastawki.

W konsekwencji możliwe jest pojawienie się odczucia konieczności użycia większej siły w celu rozpoczęcia mówienia. Po pokonaniu początkowego oporu magnesu korzystanie z Provox ActiValve jest podobne do korzystania z innych protez głosowych Provox w celu mówienia.

3.2. Czyszczenie i konserwacja

Aby mówienie z wykorzystaniem protezy głosowej było możliwe, proteza musi być czysta, by umożliwić przepływ powietrza. Regularne czyszczenie protezy przedłuża również jej okres eksploatacji.

Protezę należy czyścić szczoteczką Provox Brush dwa razy dziennie i po każdym posiłku w celu usunięcia z niej śluzu i resztek pokarmów. Czystość urządzenia pozwala również utrzymać przepukiwanie lub przedmuchiwanie protezy za pomocą gruszki Provox Flush.

Raz dziennie, po wyczyszczeniu rano protezy, należy także umieścić środek poślizgowy w wewnętrznym kanale protezy głosowej, nakładając jedną kroplę środka poślizgowego Provox ActiValve Lubricant szczoteczką Provox Brush. Przed użyciem należy zapoznać się z instrukcją użycia dołączoną do środka poślizgowego Provox ActiValve Lubricant.

Uwaga:

- Nie należy nakładać środka poślizgowego Provox ActiValve Lubricant bezpośrednio z butelki na protezę głosową, ponieważ może to doprowadzić do osadzenia się płynu w płucach [rys. 2]. To lub stosowanie zbyt dużej ilości środka poślizgowego albo zbyt częste nakładanie go może spowodować ciężki kaszel, zapalenie płuc lub poważne problemy z oddychaniem.
- Nie wolno powiększać otworu butelki ze środkiem poślizgowym Provox ActiValve Lubricant.

3.3 Okres eksploatacji

W zależności od indywidualnych warunków biologicznych okres eksploatacji urządzenia jest różny i nie jest możliwe przewidzenie jak długo urządzenie będzie prawidłowo działało. Na materiał, z którego wykonano urządzenie, oddziaływać np. bakterie i drożdżaki, co ostatecznie spowoduje pogorszenie jego właściwości.

Dodając do diety niektóre produkty spożywcze, takie jak maślanka, probiotyki i napoje bezalkoholowe z kofeiną, można zmniejszyć częstość występowania bakterii i drożdży na protezie głosowej. Ważna jest dobrze zbilansowana dieta. Należy porozmawiać z lekarzem, czy zalecane są zmiany w diecie.

3.4 Akcesoria

Szczoteczka **Provox Brush / Provox Brush XL** służy do czyszczenia wnętrza protezy lub nakładania środka poślizgowego Provox ActiValve Lubricant.

Gruszka **Provox Flush** to dodatkowe urządzenie czyszczące, które umożliwia przepukiwanie/przedmuchiwanie protezy. Zatyczka **Provox Plug** to narzędzie pierwszej pomocy, pozwalające na tymczasowe zablokowanie przecieku przez protezę. Środek poślizgowy **Provox ActiValve Lubricant** służy jako środek do nawilżania powierzchni zastawki wewnątrz protezy Provox ActiValve.

3.5 Usuwanie

Przy usuwaniu używanego wyrobu medycznego należy zawsze postępować zgodnie z praktyką medyczną oraz krajowymi wymogami dotyczącymi zagrożeń biologicznych.

4. Działania niepożądane / rozwiązywanie problemów według objawów

Wskazania do wymiany protezy głosowej Provox ActiValve obejmują przeciek przez zastawkę, blokadę protezy, nadmierne namnożenie się bakterii i drożdżaków prowadzące do pogorszenia stanu materiałów i/lub nadmierne ciśnienie potrzebne do uzyskania mowy. Inne powody wymiany obejmują wskazania medyczne, takie jak problemy w obrębie przetoki. Do obowiązków lekarza należy poinformowanie pacjenta o zagrożeniach i korzyściach wynikających z rehabilitacji głosu z użyciem protezy, a także przekazanie instrukcji dotyczących postępowania w sytuacji wystąpienia działań niepożądanych. W przypadku wątpliwości dotyczących instrukcji należy poprosić lekarza do dalszego wyjaśnienia.

Objaw: Kaszel (wyzwalany podczas picia lub jedzenia), gdy proteza znajduje się na miejscu.

Najczęstsze przyczyny: Przeciek przez protezę lub wokół protezy.

Postępowanie:

1. Wyczyścić protezę za pomocą szczoteczki Provox Brush i w miarę możliwości gruszki Provox Flush. Prawidłowe zamknięcie zastawki może być niemożliwe z powodu zalegających resztek pokarmu.

W przypadku utrzymywania się przecieku:

2. Obserwować zachowanie protezy podczas picia. Spróbować ustalić, czy przeciek występuje przez środek protezy, czy wokół niej.

- Jeśli przeciek występuje przez protezę, można użyć zatyczki Provox Vega Plug podczas jedzenia i picia, aby zapobiec przeciekowi. Powiadomić lekarza, że potrzebna jest nowa proteza.
- Jeśli przeciek występuje wokół protezy lub zatyczka nie pozwala na jego zatamowanie, należy powiadomić lekarza, że mogło dojść do powstania przecieku wokół protezy.

Objaw: Mówienie jest czasami niemożliwe (zastawka się nie otwiera).

Prawdopodobna przyczyna: Klapka zastawki przykleja się do pierścienia zastawki, uniemożliwiając jej otwarcie. Staje się to bardziej prawdopodobne, gdy zastawka nie jest używana przez dłuższy czas (np. przez noc).

Postępowanie: Wyczyścić protezę głosową i nałożyć środek poślizgowy (patrz część Czyszczenie i konserwacja). Jeśli czyszczenie i środek poślizgowy nie pomagają: Skontaktować się z lekarzem.

Objaw: Mówienie staje się coraz trudniejsze.

Najczęstsze przyczyny: Niedrożność zastawki, obrzęk tkanek w gardle (np. podczas radioterapii).

Postępowanie:

- Wyczyścić protezę za pomocą szczoteczki Provox Brush i/lub gruszki Provox Flush. Opór powietrza mogą zwiększać pozostałości pokarmu.
- Jeśli nie rozwiąże to problemu: Natychmiast skontaktować się z lekarzem.

Objawy: Ból, zwiększenie ciepłoty, obrzęk i wysypka (wszystkie objawy lub pojedyncze) w obszarze protezy lub stomy.

Najczęstsze przyczyny: Stan zapalny tkanek i zakażenia.

Postępowanie: Natychmiast skontaktować się z lekarzem.

Objawy: Ślady krwi widoczne na szczoteczce po jej użyciu.

Najczęstsze przyczyny: Stan zapalny tkanek i zakażenia po stronie przełykowej.

Postępowanie: Natychmiast skontaktować się z lekarzem.

5. Informacje dodatkowe

5.1 Podróże lotnicze

Urządzenie zawiera 2 magnesy; rozmiar 1–1,5 mm, masa 0,15–0,2 grama. Mało prawdopodobne jest uruchomienie przez magnesy wykrywaczy metali, takich jak te używane na lotniskach, ale w celu uniknięcia tego zaleca się poinformowanie pracowników ochrony o protezie głosowej i pokazanie im karty użytkownika Provox ActiValve.

5.2 Data druku i informacje o pomocy dla użytkownika

Numer wersji niniejszej instrukcji użycia oraz informacje kontaktowe producenta znajdują się na tylnej okładce.

6. Zgłaszanie

Należy pamiętać, że każde poważne zdarzenie, do którego doszło w związku z urządzeniem, należy zgłosić producentowi i władzom w kraju zamieszkania użytkownika i/lub pacjenta.

Sustav za rehabilitaciju govora ActiValve Provox

Upravljanje dišnim putovima stome

Hitne situacije

Važno je da osoblje hitne pomoći zna da dišete kroz vrat. To će im pomoći prilikom utvrđivanja da kisik i umjetno disanje treba primijeniti na vašu stomu, a ne na vašu usta ili nos.

Preporučujemo da vi i vaš klinički djelatnik preuzmete smjernice za umjetno disanje sa stranice

www.atosmedical.com/rescuebreathing

U paketu proizvoda ActiValve Provox naći ćete jarko žutu karticu za hitne slučajeve i korisničku karticu ActiValve Provox.

Preporučujemo da karticu za hitne slučajeve i korisničku karticu ActiValve Provox cijelo vrijeme čuvate kod sebe.

Izborne situacije

Ako se morate podvrgnuti postupku koji zahtijeva intubaciju (stavljanje cijevi za disanje u dušnik), vrlo je važno da su anesteziolog i liječnik koji izvršava postupak svjesni da dišete kroz vrat i da se koristite govornom protezom. Važno je da razumiju da govorna proteza mora ostati na mjestu. Ako se ukloni, tekućine iz usta, cijevi za hranu ili želuca mogu ući u vaš dušnik.

Vrlo je važno da se cijev za intubaciju pažljivo umetne i ukloni tako da se govorna proteza ne pomakne ili ne izađe.

1. Pojmovnik

Klinički djelatnik – Zdravstveni djelatnik ili ispravno ovlašten govorno-jezični terapeut/logoped ili medicinska sestra s kliničkom specijalizacijom koja je obučena u postupcima rehabilitacije glasa.

HME – Kazeta za održavanje vlažnosti i topline zraka (Heat and Moisture Exchanger). Proizvod koji zadržava toplinu i vlagu izdahnutog zraka, što se vraća u zrak kad udahnete.

PE-segment – Faringoezofagealni segment. Dio cijevi za hranu gdje se zvuk stvara vibracijom tkiva prilikom upotrebe govorne proteze.

TE-fistula – Traheozofagealna fistula. Mali umjetni otvor stvoren između cijevi za zrak i cijevi za hranu u kojoj je postavljena govorna proteza.

Traheostoma – Otvor za disanje na prednjem dijelu vrata gdje je dušnik povezan s kožom (naziva se i „stoma“).

Govorna proteza – jednosmjerni ventil koji je umetnut u TE-fistulu. Taj ventil ima prirubnicu s obje strane kojom se omogućuje da ventil ostane na mjestu. Zrak se može preusmjeriti kroz ventil u cijev za hranu za govor, dok se istovremeno smanjuje rizik od ulaska hrane i tekućina u cijev za zrak.

2. Opisne informacije

2.1 Indikacije za uporabu

ActiValve Provox jest nesterilna ugrađena govorna proteza namijenjena za anterogradno uvođenje u zacijeljenu fistulu za rehabilitaciju glasa nakon totalne laringektomije. Proizvod je namijenjen za pacijente s ranim propuštanjem prethodne govorne proteze (vijek trajanja proizvoda manji od 4 – 8 tjedana). Proizvod smanjuje potrebu za čestim zamjenama kod većine korisnika, no ne kod svih.

2.2 KONTRAINDIKACIJE

ActiValve Provox NIJE namijenjen:

- za umetanje u svježe napravljenu fistulu,
- da bude na mjestu tijekom MRI-pregleda (Magnetska rezonancija) ili tijekom radijacijske terapije.

2.3 Opis proizvoda

Govorna proteza ActiValve Provox [slika 1] jest nesterilni jednokratni jednosmjerni ventil koji održava TE-fistulu otvorenom za govor, dok istovremeno smanjuje rizik od ulaska hrane i tekućina u dušnik. Ima dvije prirubnice za zadržavanje [A] i plavi prsten [B] koji dodaje stabilnost i ravnomjernu brtvenu površinu za zaklopku ventila [C]. Proteza nije trajni implantat i potrebno ju je periodički mijenjati.

Proizvod je napravljen od silikonske gume medicinskog standarda i radiokontrastne fluoroplastike. Nijedan dio proizvoda nije proizveden s prirodnim gumenim lateksom. Vanjski promjer iznosi 7,5 mm (22,5 Fr). ActiValve Provox dostupan je u dužinama od 4,5, 6, 8, 10 i 12,5 mm i dolazi u različitim silama za otvaranje ventila. Magnetima [D] u prstenu i zaklopci

ventila utvrđuje se sila otvaranja (magneti nisu podesivi). Budući da sile otvaranja nisu očite prilikom jednostavne vizualne inspekcije, proizvod dolazi s korisničkim karticama ActiValve Provox koje također pružaju važne informacije o govornoj protezi. Ako ste izgubili korisničke kartice, obratite se svojem kliničkom djelatniku koji može dogovoriti zamjenu.

Sljedeći predmeti u paketu namijenjeni su za pacijentovu upotrebu i trebali biste ih dobiti od kliničkog djelatnika:

- 2 četkice Provox Brush,
- 1 čep Provox Plug,
- 1 lubrikant ActiValve Provox Lubricant,
- 1 kartica za hitni slučaj,
- 2 korisničke kartice ActiValve Provox.

2.4 UPOZORENJA

Govorna proteza ActiValve Provox može se slučajno progutati. Ako se to dogodi, obratite se svojem liječniku koji će vas dalje savjetovati.

Može doći do slučajne aspiracije (tj. proizvod upadne u dušnik) govorne proteze ActiValve Provox ili drugih komponenti sustava za rehabilitaciju govora ActiValve Provox. Trenutni simptomi mogu uključivati kašalj, gušenje ili otežano disanje. U takvim slučajevima odmah zatražite liječničku pomoć. Strana tijela u dišnim putovima mogu uzrokovati teške komplikacije te ih treba ukloniti klinički djelatnik.

Oprez: Možete aspirirati ili progutati proizvod bez trenutnih simptoma ili samo s blagim kašljem. Ako proizvod nije vidljiv u fistuli, odmah se obratite kliničkom djelatniku, neovisno imate li teške ili blage simptome ili nemate simptome.

Ponovna uporaba i ponovna obrada mogu uzrokovati unakrsnu kontaminaciju i oštetiti proizvod te ugroziti zdravlje pacijenta.

Nemojte preinačiti govornu protezu ActiValve Provox ili bilo koji njezin dodatak. To može povećati rizik od aspiracije ili gutanja proizvoda.

Nemojte preinačiti govornu protezu ActiValve Provox ili bilo koji njezin dodatak.

2.5 MJERE OPREZA

Obratite se kliničkom djelatniku ako:

- Postoji propuštanje kroz ili oko proteze (kašalj i/ili mijenjanje boje sluzi).
- Govor postaje težak (veći napor i/ili glas zvuči više napregnuto).
- Postoje znakovi upale ili se tkivo mijenja na području fistule (bol, toplina, otekline, tragovi krvi na četkici nakon četkanja).
- Vidite promjene u izgledu materijala govorne proteze ili načina na koji pristaje u punkciju.
- Često patite od kašlja tijekom pijenja, a čišćenje govorne proteze ne rješava problem. To može biti rani znak propuštanja kroz ili oko govorne proteze.
- Krvarite ili imate tkivnu izraslinu preko drugog tkiva oko proizvoda.
- Osjećate stalnu bol ili nelagodu u području proizvoda ActiValve Provox.
- Imate kroničan kašalj, poteškoće s disanjem ili krv u sluzi. To mogu biti znakovi ozbiljnog zdravstvenog stanja za koje je potrebna liječnička pomoć.

Za smanjenje rizika od infekcije:

Provjerite jesu li vam ruke temeljito čiste i suhe prije stavljanja ruku u područje traheostome i prije čišćenja govorne proteze i/ili dodataka.

Održavajte sve proizvode koji mogu ući u ili doći u dodir s traheostomom i govornom protezom čistima.

Za smanjenje rizika od oštećenja proizvoda:

Za rukovanje i čišćenje proteze koristite se samo originalnim dodacima Provox namijenjenim za upotrebu proizvoda ActiValve Provox. **Drugi proizvodi mogu prouzrokovati tjelesne ozljede ili oštećenje govorne proteze.**

Čistite i podmazujte govornu protezu prema uputama kako bi se održala njezina funkcionalnost.

Upotrebljavajte samo lubrikant ActiValve Provox Lubricant za podmazivanje govorne proteze ActiValve Provox. Drugi lubrikanti mogu oštetiti govornu protezu.

Za smanjenje rizika od ozljede:

Uvijek obavijestite medicinsko osoblje o svojem proizvodu ActiValve Provox i pokažite im svoju korisničku karticu ActiValve Provox prije podvrgavanja bilo kakvom liječničkom tretmanu ili pregledu. Pogledajte i odjeljak Kontraindikacije.

Držite lubrikant ActiValve Provox Lubricant i druge dodatke dalje od djece i kućnih ljubimaca koji bi se mogli ozlijediti njihovim udisanjem ili gutanjem.

Nemojte pokušati promijeniti ActiValve Provox kod kuće ili sami. Proizvod bi trebali izvaditi i zamijeniti samo zdravstveni djelatnici.

3. Upute za upotrebu

3.1 Upotreba proizvoda ActiValve Provox za govorenje

Neki ljudi osjećaju negativan tlak u ždrijelu/jednaku tijekom gutanja ili udisanja. To može uzrokovati slučajno otvaranje ventila. Magneti u ventilu povećavaju početni tlak potreban za otvaranje ventila. Time se sprečava slučajno otvaranje.

Kao posljedicu možete osjećati da vam je potrebno veća sila da biste počeli govoriti. Kad se savlada početni magnetski otpor, ActiValve Provox upotrebljava se slično kao bilo koja druga govorna proteza Provox za govor.

3.2 Čišćenje i održavanje

Kako biste govorili sa svojom govornom protezom, mora biti čista kako bi glas prolazio kroz nju. Redovito čišćenje proteze također pomaže u produljivanju radnog vijeka proizvoda.

Četkajte protezu četkicom Provox Brush dvaput dnevno i nakon svakog obroka kako biste uklonili sluz i ostatke hrane iz proteze. Ispiranje proteze pumpicom Provox Flush (ispiranje) također pomaže u čišćenju proizvoda.

Jednom dnevno, nakon čišćenja ujutro također podmažite unutarnji lumen govorne proteze jednom kapi lubrikanta ActiValve Provox Lubricant s pomoću četkice Provox Brush. Prije upotrebe pročitajte Upute za upotrebu isporučene s lubrikantom ActiValve Provox Lubricant.

Oprez:

- Nemojte primjenjivati lubrikant ActiValve Provox Lubricant izravno iz bočice na govornu protezu jer time tekućina može doprijeti u pluća [slika 2]. To ili prekomjerna upotreba lubrikanta u količini ili učestalosti može dovesti do teškog kašlja, upale pluća ili ozbiljnih problema s disanjem.
- Nemojte uvećavati otvor na bočici lubrikanta ActiValve Provox Lubricant.

3.3 Životni vijek proizvoda

Ovisno o pojedinačnim biološkim okolnostima razlikuje se životni vijek proizvoda i nije moguće predvidjeti strukturni integritet proizvoda tijekom dužeg vremenskog razdoblja. Na materijal proizvoda utjecat će primjerice bakterije i gljivice, a strukturni integritet proizvoda s vremenom će se pogoršati.

Dodavanje određene vrste hrane, kao što su mlaćenica, probiotici i kofeinska bezalkoholna pića, može smanjiti nastanak bakterija i gljivica na govornoj protezi. Dobro uravnotežena prehrana jest važna, posavjetujte se s kliničkim djelatnikom trebate li promijeniti prehranu.

3.4 Dodaci

Četkica **Provox Brush / Provox Brush XL** upotrebljava se za čišćenje unutrašnjosti proteze ili primjenu lubrikanta ActiValve Provox Lubricant.

Pumpica **Provox Flush** (ispiranje) dodatni je proizvod za čišćenje kojim se omogućuje ispiranje proteze.

Čep **Provox Plug** pomagalo je prve pomoći kojim se privremeno blokira prohodnost proteze.

Lubrikant **ActiValve Provox Lubricant** služi kao lubrikant za površinu ventila unutar proizvoda ActiValve Provox.

3.5 Odlaganje

Kada bacate medicinski proizvod, uvijek slijedite medicinsku praksu i nacionalne propise o odlaganju opasnog otpada.

4. Nepoželjni događaji / Rješavanje problema prema simptomima

Indikacije za zamjenu govorne proteze ActiValve Provox uključuju propuštanje kroz ventil, začepljenje proteze, bakterijska ili gljivična (kandida) tkivna izraslina preko drugog tkiva koja dovodi do degradacije materijala i/ili prekomjernog tlaka potrebnog za govorenje. Drugi razlozi za zamjenu uključuju medicinske indikacije kao što su problemi s traktom punkcije. Odgovornost je kliničkog djelatnika da vas informira o opasnostima i koristima protetičke rehabilitacije govora i da vas posavjetuje o tome što trebate učiniti u slučaju pojave nepoželjnih događaja. Ako niste sigurni da ste potpuno razumjeli sve upute, pitajte svog kliničkog djelatnika za daljnje objašnjenje.

Simptom: Kašljanje (potaknutom pijenjem ili jedenjem) dok je proteza na mjestu.

Najčešći razlozi: Propuštanje kroz ili oko proteze.

Mjere:

1. Očistite protezu četkicom Provox Brush i, ako je moguće, pumpicom Provox Flush (ispiranje). Mogući ostatci hrane sprječavaju ispravno zatvaranje ventila.

Ako se propuštanje nastavi:

2. Gledajte protezu dok pijete. Pokušajte odrediti propušta li kroz sredinu ili oko proteze.
 - a) Ako mislite da propušta kroz sredinu, možete upotrijebiti čep Provox Vega Plug dok jedete i pijete kako biste spriječili propuštanje. Obavijestite svog kliničkog djelatnika da trebate novu protezu.
 - b) Ako mislite da curi oko proteze ili ako čep ne zaustavlja propuštanje, obavijestite svog kliničkog djelatnika da možda postoji propuštanje oko proteze.

Simptom: Govor nekad nije moguć (ventil se ne otvara).

Vjerojatni uzrok: Poklopac ventila lijepi se na dosjed ventila i time sprječava otvaranje ventila. To je sve vjerojatnije što se duže ne upotrebljava ventil (npr. preko noći).

Mjere: Očistite govornu protezu i podmažite je (pogledajte odjeljak Čišćenje i održavanje). Ako čišćenje i podmazivanje ne pomogne: Obratite se svom kliničkom djelatniku.

Simptom: Govor postaje sve teži.

Najčešći razlozi: Opstrukcija ventila, oteklina tkiva u grlu (npr. tijekom liječenja zračenjem).

Mjere:

1. Očistite protezu četkicom Provox Brush i/ili pumpicom Flush. Ostaci hrane mogu povećati otpor protoka zraka.
2. Ako to ne pomaže: Odmah se obratite svom kliničkom djelatniku.

Simptomi: Bol, toplina, otekline i osip (zajedno ili sami) na području proteze ili stome.

Najčešći razlozi: Upala i infekcije tkiva.

Mjere: Odmah se obratite svom kliničkom djelatniku.

Simptomi: Tragovi krvi vidljivi na četkici nakon četkanja.

Najčešći razlozi: Upala i infekcije tkiva sa strane ezofagusa.

Mjere: Odmah se obratite svom kliničkom djelatniku.

5. Dodatne informacije

5.1 Putovanje zrakoplovom

Ovaj proizvod sadrži 2 magneta; veličine 1 – 1,5 mm, težine 0,15 – 0,2 grama. Magneti vjerojatno neće aktivirati metalne detektore kao one koji se upotrebljavaju u zračnim lukama, no da biste izbjegli incidente, poželjno je da unaprijed obavijestite sigurnosno osoblje o svojoj govornoj protezi i pokažete im svoju korisničku karticu ActiValve Provox.

5.2 Datum tiskanja i informacije o podršci korisnicima

Broj inačice ovih Uputa za upotrebu i kontaktne informacije proizvođača nalaze se na stražnjoj strani.

6. Prijava nezgoda

Imajte na umu da će se bilo kakav ozbiljan štetan događaj koji nastane u vezi s ovim proizvodom prijaviti proizvođaču i nacionalnom tijelu države u kojoj je nastanjen korisnik i/ili pacijent.

Σύστημα φωνητικής αποκατάστασης Provox ActiValve

Διαχείριση αεραγωγού τραχειοστομίας

Επείγουσες καταστάσεις

Είναι σημαντικό το προσωπικό επειγόντων περιστατικών να γνωρίζει ότι αναπνέετε μέσω του λαιμού σας. Αυτό θα τους βοηθήσει να καταλάβουν ότι το οξυγόνο και η αναπνοή διάσωσης (τεχνητή αναπνοή) πρέπει να εφαρμοστούν στην τραχειοστομία και όχι στο στόμα ή στη μύτη σας.

Συνιστούμε εσείς και ο ιατρός σας να κάνετε λήψη των κατευθυντήριων οδηγιών για αναπνοή διάσωσης από τον ιστότοπο www.atosmedical.com/rescuebreathing

Στη συσκευασία του Provox ActiValve, θα βρείτε μια κάρτα έκτακτης ανάγκης σε φωτεινό κίτρινο χρώμα και μια κάρτα χρήστη Provox ActiValve. Σας συνιστούμε να έχετε πάντα μαζί σας την κάρτα έκτακτης ανάγκης και την κάρτα χρήστη Provox ActiValve.

Επιλεκτικές καταστάσεις

Εάν πρέπει να υποβληθείτε σε μια επέμβαση που απαιτεί διασωλήνωση (τοποθέτηση αναπνευστικού σωλήνα στην τραχεία σας), είναι πολύ σημαντικό ο αναισθησιολόγος και ο ιατρός που πραγματοποιεί την επέμβαση να είναι ενήμεροι ότι αναπνέετε μέσω του λαιμού σας και ότι χρησιμοποιείτε φωνητική πρόθεση. Είναι σημαντικό να κατανοήσουν ότι η φωνητική πρόθεση πρέπει να παραμείνει στη θέση της. Εάν αφαιρεθεί, ενδέχεται να εισέλθουν στην τραχεία σας υγρά από το στόμα, τον οισοφάγο ή το στομάχι σας.

Είναι πολύ σημαντικό ο σωλήνας διασωλήνωσης να εισάγεται και να αφαιρείται με προσοχή, έτσι ώστε η φωνητική πρόθεση να μη μετατοπιστεί ή αφαιρεθεί.

1. Γλωσσάριο

Ιατρός — Επαγγελματίας υγείας ή κατάλληλα αδειοδοτημένος λογοθεραπευτής και λογοπεδικός/λογοπαθολόγος ή εξειδικευμένος κλινικός νοσηλεύτης, εκπαιδευμένος στις διαδικασίες φωνητικής αποκατάστασης.

HME — Εναλλάκτης θερμότητας και υγρασίας (Heat and Moisture Exchanger). Συσκευή που συγκρατεί τη θερμότητα και την υγρασία του εκπνεόμενου αέρα και τις επιστρέφει στον αέρα κατά την εισπνοή.

Τμήμα PE — Φαρυγγοοισοφαγικό τμήμα. Το τμήμα του οισοφάγου στο οποίο παράγεται ήχος από τη δόνηση ιστού, κατά τη χρήση φωνητικής πρόθεσης.

Παρακέντηση TE — Τραχειοοισοφαγική παρακέντηση. Μικρή τεχνητή οπή που δημιουργείται ανάμεσα στην τραχεία και τον οισοφάγο και στην οποία τοποθετείται η φωνητική πρόθεση.

Τραχειοστομία — Οπή για αερισμό στην πρόσθια επιφάνεια του λαιμού, όπου η τραχεία εφάπτεται στο δέρμα (αναφέρεται και ως «στόμα»).

Φωνητική πρόθεση — Μονόδρομη βαλβίδα που εισάγεται στην τραχειοοισοφαγική παρακέντηση. Η βαλβίδα διαθέτει έναν δακτύλιο σε κάθε πλευρά, ο οποίος συγκρατεί τη βαλβίδα στη θέση της. Για την παραγωγή ομιλίας, είναι δυνατή η ανακατεύθυνση του αέρα προς τον οισοφάγο διαμέσου της βαλβίδας, μειώνοντας παράλληλα τον κίνδυνο εισροής υγρών και τροφών στην τραχεία.

2. Περιγραφικές πληροφορίες

2.1 Ενδείξεις χρήσης

Το Provox ActiValve είναι μια μη στείρα, μόνιμη φωνητική πρόθεση που προορίζεται για ορθόδρομη εισαγωγή σε μια επουλωμένη παρακέντηση, με στόχο τη φωνητική αποκατάσταση μετά από ολική λαρυγγεκτομή. Η συσκευή προορίζεται για ασθενείς που παρουσιάζουν πρόωμη διαρροή με προηγούμενη φωνητική πρόθεση (διάρκεια ζωής της συσκευής λιγότερο από 4–8 εβδομάδες). Η συσκευή περιορίζει την ανάγκη συχνής αντικατάστασης για τους περισσότερους, αλλά όχι για όλους τους ασθενείς.

2.2 ΑΝΤΕΝΔΕΙΞΕΙΣ

Το Provox ActiValve ΔΕΝ προορίζεται:

- για εισαγωγή σε πρόσφατη παρακέντηση,
- για παραμονή στον ασθενή κατά τη διάρκεια μαγνητικής τομογραφίας (MRI) ή ακτινοθεραπείας.

2.3 Περιγραφή της συσκευής

Η φωνητική πρόθεση Provox ActiValve [Εικ. 1] είναι μια μη στείρα μονόδρομη βαλβίδα μίας χρήσης, η οποία διατηρεί την τραχειοοισοφαγική παρακέντηση ανοικτή για την παραγωγή ομιλίας, ενώ παράλληλα μειώνει τον κίνδυνο εισχώρησης

υγρών και τροφών στην τραχεία. Διαθέτει δύο πτερύγια συγκράτησης [A] και έναν μπλε δακτύλιο [B] που προσδίδουν σταθερότητα και μια ομοιόμορφη επιφάνεια σφράγισης για το πτερύγιο της βαλβίδας [C]. Η πρόθεση δεν αποτελεί μόνιμο εμφύτευμα και πρέπει να αντικαθίσταται ανά διαστήματα.

Η συσκευή είναι κατασκευασμένη από σιλικόνη ιατρικής χρήσης και ακτινοσκοπική φθοριούχο ρητίνη. Κανένα μέρος της συσκευής δεν έχει κατασκευαστεί από φυσικό λατέξ. Η εξωτερική διάμετρος είναι 7,5 mm (22,5 Fr). Το Pronox ActiValve είναι διαθέσιμο σε μήκη 4,5, 6, 8, 10 και 12,5 mm και με διαφορετικές δυνάμεις ανοίγματος της βαλβίδας. Οι μαγνήτες [D] στον δακτύλιο και στο πτερύγιο της βαλβίδας καθορίζουν τη δύναμη ανοίγματος (οι μαγνήτες δεν είναι ρυθμιζόμενοι). Δεδομένου ότι οι δυνάμεις ανοίγματος δεν είναι αντιληπτές μόνο με οπτική επιθεώρηση, η συσκευή παρέχεται μαζί με κάρτες χρήστη Pronox ActiValve, οι οποίες παρέχουν επίσης σημαντικές πληροφορίες για τη φωνητική πρόθεση. Σε περίπτωση απώλειας των καρτών χρήστη, επικοινωνήστε με τον ιατρό σας ώστε να κανονίσει την αντικατάστασή τους.

Τα ακόλουθα είδη που περιέχονται στη συσκευασία προορίζονται για χρήση από τον ασθενή και ο ιατρός σας θα πρέπει να σας τα δώσει:

- 2 βούρτσες Pronox Brush
- 1 βύσμα Pronox Plug
- 1 λιπαντικό Pronox ActiValve Lubricant
- 1 κάρτα έκτακτης ανάγκης
- 2 κάρτες χρήστη Pronox ActiValve

2.4 ΠΡΟΕΙΔΟΠΟΙΗΣΕΙΣ

Είναι πιθανή η τυχαία κατάποση της φωνητικής πρόθεσης Pronox ActiValve. Σε περίπτωση που αυτό συμβεί, επικοινωνήστε με τον ιατρό σας, ο οποίος θα σας παράσχει περαιτέρω συμβουλές.

Είναι πιθανή η τυχαία αναρρόφηση της φωνητικής πρόθεσης Pronox ActiValve ή άλλων εξαρτημάτων του συστήματος φωνητικής αποκατάστασης Pronox ActiValve (δηλ. πτώση της συσκευής στο εσωτερικό της τραχείας). Τα άμεσα συμπτώματα μπορεί να περιλαμβάνουν βήχα, πνιγμό ή συριγμό. Σε περίπτωση που αυτό συμβεί, ζητήστε άμεση ιατρική φροντίδα. Η παρουσία ξένου σώματος στους αεραγωγούς μπορεί να προκαλέσει βαριές επιπλοκές και το ξένο σώμα πρέπει να αφαιρεθεί από ιατρό. **Προσοχή:** Σε περίπτωση αναρρόφησης ή κατάποσης της συσκευής, ενδέχεται να μην εμφανίσετε συμπτώματα αμέσως, παρά μόνο ήπιο βήχα. Εάν η συσκευή δεν είναι ορατή στην παρακέντηση, επικοινωνήστε αμέσως με τον ιατρό σας σε περίπτωση σοβαρών ή ήπιων συμπτωμάτων ή απουσίας συμπτωμάτων.

Η επαναχρησιμοποίηση και η επανεπεξεργασία μπορεί να προκαλέσουν διασταυρούμενη μόλυνση και ζημιά στη συσκευή και να έχουν επιβλαβείς συνέπειες για τον ασθενή.

Μην τροποποιείτε τη φωνητική πρόθεση Pronox ActiValve ή οποιοδήποτε από τα παρελκόμενά της. Κάτι τέτοιο μπορεί να αυξήσει τον κίνδυνο αναρρόφησης ή κατάποσης της συσκευής.

2.5 ΠΡΟΦΥΛΑΞΕΙΣ

Απευθυνθείτε στον ιατρό σας εάν:

- Παρουσιαστεί διαρροή διαμέσου ή πέριξ της πρόθεσης (βήχας ή/και βλέννες διαφορετικού χρώματος).
- Παρουσιαστεί δυσκολία στην ομιλία (καταβολή μεγαλύτερης προσπάθειας ή/και πιο καταπονημένη φωνή).
- Υπάρχουν σημεία φλεγμονής ή ιστικές αλλοιώσεις στην περιοχή της παρακέντησης (πόνος, καύσος, οίδημα, ίχνη αίματος στη βούρτσα μετά το βούρτσισμα).
- Υπάρχουν αλλαγές στην όψη του υλικού της φωνητικής πρόθεσης ή στον τρόπο που εφαρμόζει στην παρακέντηση.
- Παρουσιάζετε συχνά βήχα όταν πίνετε και ο καθαρισμός της φωνητικής πρόθεσης δεν εξαλείφει το πρόβλημα. Αυτό ενδέχεται να αποτελεί πρόωμη ένδειξη διαρροής διαμέσου ή πέριξ της φωνητικής πρόθεσης.
- Εμφανίζετε αιμορραγία ή υπερανάπτυξη ιστού γύρω από τη συσκευή.
- Εμφανίζετε επίμονο πόνο ή δυσφορία στην περιοχή του Pronox ActiValve.
- Εμφανίζετε χρόνιο βήχα, δυσκολία στην αναπνοή ή αίμα στη βλέννα. Οι παραπάνω καταστάσεις μπορεί να είναι ενδείξεις σοβαρών προβλημάτων υγείας που απαιτούν ιατρική παρακολούθηση.

Για μείωση του κινδύνου λοίμωξης:

Διασφαλίστε ότι έχετε καθαρίσει και στεγνώσει σχολαστικά τα χέρια σας προτού τα τοποθετήσετε στην περιοχή της τραχειοστομίας και προτού προβείτε στον καθαρισμό της φωνητικής πρόθεσης ή/και των παρελκόμενων.

Διατηρείτε καθαρές όλες τις συσκευές που μπορεί να εισέλθουν ή να έρθουν σε επαφή με την τραχειοστομία σας και τη φωνητική πρόθεση.

Για μείωση του κινδύνου πρόκλησης ζημιάς στο προϊόν:

Για τον χειρισμό και τον καθαρισμό της πρόθεσης που διαθέτετε, χρησιμοποιείτε μόνο γνήσια παρελκόμενα Pronox που προορίζονται για χρήση με το Pronox ActiValve. Άλλες συσκευές ενδέχεται να προκαλέσουν ατομικό τραυματισμό ή ζημιά στη φωνητική πρόθεση.

Καθαρίζετε και λιπαίνετε τη φωνητική πρόθεση σύμφωνα με τις οδηγίες, ώστε να διατηρηθεί η λειτουργικότητά της.

Χρησιμοποιείτε μόνο λιπαντικό Provox ActiValve Lubricant για τη λίπανση της φωνητικής πρόθεσης Provox ActiValve. Η χρήση άλλων λιπαντικών μπορεί να προκαλέσει ζημιά στη φωνητική πρόθεση.

Για μείωση του κινδύνου τραυματισμού:

Να ενημερώνετε πάντα το ιατρικό προσωπικό για το Provox ActiValve που διαθέτετε και να επιδεικνύετε την κάρτα χρήστη Provox ActiValve πριν από οποιαδήποτε ιατρική θεραπεία ή εξέταση. Δείτε, επίσης, την ενότητα «Αντενδείξεις».

Διατηρείτε το λιπαντικό Provox ActiValve Lubricant και τα υπόλοιπα παρελκόμενα μακριά από παιδιά και κατοικίδια, για τα οποία μπορεί να είναι επιβλαβή σε περίπτωση εισπνοής ή κατάποσης.

Μην επιχειρείτε να αντικαταστήσετε το Provox ActiValve στο σπίτι ή μόνοι σας. Η αφαίρεση και αντικατάσταση της συσκευής θα πρέπει να πραγματοποιούνται μόνο από επαγγελματία υγείας.

3. Οδηγίες χρήσης

3.1 Τρόπος χρήσης του Provox ActiValve για ομιλία

Ορισμένα άτομα έχουν αρνητική πίεση στον φάρυγγα/οισοφάγο κατά την κατάποση ή την εισπνοή. Αυτό μπορεί να προκαλέσει το ακούσιο άνοιγμα της βαλβίδας. Οι μαγνήτες στη βαλβίδα αυξάνουν την αρχική πίεση που απαιτείται για το άνοιγμα της βαλβίδας. Με αυτόν τον τρόπο, αποτρέπεται τυχόν ακούσιο άνοιγμα.

Συνεπώς, μπορεί να αισθανθείτε ότι χρειάζεστε περισσότερη δύναμη για να αρχίσετε να μιλάτε. Όταν εξελιφθεί η αρχική μαγνητική αντίσταση, η χρήση του Provox ActiValve είναι παρόμοια με τη χρήση οποιασδήποτε άλλης φωνητικής πρόθεσης Provox για ομιλία.

3.2 Καθαρισμός και συντήρηση

Για να μιλήσετε με τη φωνητική πρόθεση, η πρόθεση θα πρέπει να είναι καθαρή, ώστε ο αέρας να μπορεί να διέλθει μέσα από αυτήν. Ο τακτικός καθαρισμός της πρόθεσης συμβάλλει, επίσης, στην παράταση της διάρκειας ζωής της συσκευής. Βουρτσίζετε την πρόθεση με βούρτσα Provox Brush δύο φορές την ημέρα και μετά από κάθε γεύμα, για να απομακρύνετε τις βλάννες και τα υπολείμματα τροφών από την πρόθεση. Επίσης, η πλύση της πρόθεσης με το σύστημα πλύσης Provox Flush βοηθά στον καθαρισμό της συσκευής.

Επιπλέον, μία φορά την ημέρα, μετά τον πρωινό καθαρισμό, λιπαίνετε τον εσωτερικό αυλό της φωνητικής πρόθεσης με μία σταγόνα από το λιπαντικό Provox ActiValve Lubricant χρησιμοποιώντας διαφορετική βούρτσα Provox Brush. Πριν από τη χρήση, διαβάστε τις οδηγίες χρήσης που συνοδεύουν το λιπαντικό Provox ActiValve Lubricant.

Προσοχή:

- Μην εφαρμόζετε το λιπαντικό Provox ActiValve Lubricant απευθείας από τη φιάλη στη φωνητική πρόθεση, καθώς κάτι τέτοιο θα μπορούσε να οδηγήσει σε εναπόθεση του υγρού στους πνεύμονες [Εικ. 2]. Αυτό ή η υπερβολική χρήση λιπαντικού, σε ποσότητα ή συχνότητα, μπορεί να οδηγήσει σε έντονο βήχα, πνευμονία ή σοβαρά αναπνευστικά προβλήματα.
- Μην διευρύνετε το άνοιγμα της φιάλης του λιπαντικού Provox ActiValve Lubricant.

3.3 Διάρκεια ζωής της συσκευής

Η διάρκεια ζωής της συσκευής ποικίλει ανάλογα με τις εκάστοτε βιολογικές συνθήκες και, επομένως, δεν είναι δυνατή η πρόβλεψη της δομικής ακεραιότητας της συσκευής μακροπρόθεσμα. Το υλικό της συσκευής επηρεάζεται από την παρουσία, για παράδειγμα, βακτηρίων και ζυμομυκήτων, και η δομική ακεραιότητα της συσκευής τελικά φθίνει.

Η προσθήκη συγκεκριμένων τροφών, όπως βουτυρόγαλα, προβιοτικά και καφεϊνούχα αναγκαστικά ενδέχεται να μειώσει την εμφάνιση βακτηρίων και ζυμομυκήτων στη φωνητική πρόθεση. Είναι σημαντικό να ακολουθείτε μια ισορροπημένη διατροφή, συνεισφέροντας καλά θα ήταν να συζητήσετε με τον ιατρό σας για πιθανές συνιστώμενες διατροφικές αλλαγές.

3.4 Παρελκόμενα

Η βούρτσα Provox Brush/Provox Brush XL χρησιμοποιείται για τον καθαρισμό του εσωτερικού της πρόθεσης ή για την εφαρμογή του λιπαντικού Provox ActiValve Lubricant.

Το σύστημα πλύσης Provox Flush είναι μια πρόσθετη συσκευή καθαρισμού, με τη χρήση της οποίας είναι δυνατή η πλύση της πρόθεσης.

Το βύσμα Provox Plug είναι ένα εργαλείο πρώτων βοηθειών, το οποίο φράσσει προσωρινά τη διαρροή διαμέσου της πρόθεσης. Το λιπαντικό Provox ActiValve Lubricant προορίζεται για τη λίπανση της επιφάνειας της βαλβίδας που βρίσκεται στο εσωτερικό του Provox ActiValve.

3.5 Απόρριψη

Να ακολουθείτε πάντοτε τις κατάλληλες ιατρικές πρακτικές και τις εθνικές απαιτήσεις περί βιολογικών κινδύνων όταν απορρίπτετε χρησιμοποιημένες ιατρικές συσκευές.

4. Ανεπιθύμητες ενέργειες/Αντιμετώπιση προβλημάτων ανά σύμπτωμα

Οι ενδείξεις για την αντικατάσταση της φωνητικής πρόθεσης Pronox ActiValve περιλαμβάνουν διαρροή διαμέσου της βαλβίδας, απόφραξη της πρόθεσης, υπερανάπτυξη βακτηρίων και μυκήτων Candida που οδηγεί σε αλλοίωση των υλικών ή/και ανάγκη άσκησης μεγαλύτερης πίεσης για την επίτευξη ομιλίας. Άλλοι λόγοι για αντικατάσταση περιλαμβάνουν ιατρικές ενδείξεις, όπως προβλήματα στην οδό παρακέντησης. Αποτελεί ευθύνη του ιατρού σας να σας ενημερώσει σχετικά με τους κινδύνους και τα οφέλη της φωνητικής αποκατάστασης με χρήση πρόθεσης, καθώς και να σας παράσχει οδηγίες σχετικά με το τι πρέπει να κάνετε σε περίπτωση που αντιμετωπίσετε ανεπιθύμητες ενέργειες. Εάν δεν είστε βέβαιοι ότι έχετε κατανοήσει πλήρως όλες τις οδηγίες, ζητήστε από τον ιατρό σας να σας τις εξηγήσει περαιτέρω.

Σύμπτωμα: Βήχας (που προκαλείται κατά την κατανάλωση υγρών ή τροφών) ενώ η πρόθεση βρίσκεται στη θέση της.

Συνηθέστερες αιτίες: Διαρροή διαμέσου της πρόθεσης ή γύρω από αυτήν.

Μέτρα αντιμετώπισης:

1. Καθαρίστε την πρόθεση με βούρτσα Pronox Brush και, εάν είναι εφικτό, και με σύστημα πλύσης Pronox Flush. Ενδέχεται να υπάρχουν υπολείμματα τροφών που εμποδίζουν τη βαλβίδα να κλείσει σωστά.

Εάν η διαρροή συνεχίζεται:

2. Παρατηρήστε την πρόθεση κατά την κατάποση κάποιου υγρού. Προσπαθήστε να εντοπίσετε εάν η διαρροή προέρχεται από το κέντρο της πρόθεσης ή γύρω από αυτήν.

α) Εάν πιστεύετε ότι η διαρροή προέρχεται από το κέντρο, μπορείτε να χρησιμοποιήσετε βύσμα Pronox Vega Plug όταν καταναλώνετε υγρά ή τροφές, για να αποφύγετε τις διαρροές. Ενημερώστε τον ιατρό σας ότι χρειάζεστε καινούρια πρόθεση.

β) Εάν πιστεύετε ότι η διαρροή σημειώνεται γύρω από την πρόθεση, ή εάν το βύσμα δεν σταματά τη διαρροή, ενημερώστε τον ιατρό σας ότι πιθανώς υπάρχει διαρροή γύρω από την πρόθεση.

Σύμπτωμα: Ορισμένες φορές, η ομιλία δεν είναι εφικτή (δεν είναι δυνατό το άνοιγμα της βαλβίδας).

Πιθανή αιτία: Το καπάκι της βαλβίδας κολλάει στην έδρα της βαλβίδας, αποτρέποντας το άνοιγμα της βαλβίδας. Οι πιθανότητες να συμβεί κάτι τέτοιο αυξάνονται όταν η βαλβίδα παραμένει σε αχρησία για πολλή ώρα (π.χ. κατά τη διάρκεια της νύχτας).

Μέτρα αντιμετώπισης: Καθαρίστε και λιπάνετε τη φωνητική πρόθεση (δείτε την ενότητα «Καθαρισμός και συντήρηση»). Εάν ο καθαρισμός και η λίπανση δεν βοηθήσει: Επικοινωνήστε με τον ιατρό σας.

Σύμπτωμα: Η ομιλία καθίσταται ολοένα και πιο δύσκολη.

Συνηθέστερες αιτίες: Απόφραξη της βαλβίδας, οίδημα στον ιστό του φάρυγγα (π.χ. κατά την ακτινοθεραπεία).

Μέτρα αντιμετώπισης:

1. Καθαρίστε την πρόθεση με βούρτσα Pronox Brush ή/και σύστημα πλύσης Pronox Flush. Ενδέχεται να υπάρχουν υπολείμματα τροφών που αυξάνουν την αντίσταση της ροής αέρα.

2. Εάν αυτό δεν βοηθά: Επικοινωνήστε αμέσως με τον ιατρό σας.

Συμπτώματα: Πόνος, καύσος, οίδημα και εξάνθημα (συνδυαστικά ή μεμονωμένα) στην περιοχή της πρόθεσης ή της στομίας.

Συνηθέστερες αιτίες: Φλεγμονή του ιστού και λοιμώξεις.

Μέτρα αντιμετώπισης: Επικοινωνήστε αμέσως με τον ιατρό σας.

Συμπτώματα: Παρατηρούνται ίχνη αίματος πάνω στη βούρτσα μετά το βούρτσισμα.

Συνηθέστερες αιτίες: Φλεγμονή του ιστού και λοιμώξεις στην πλευρά του οισοφάγου.

Μέτρα αντιμετώπισης: Επικοινωνήστε αμέσως με τον ιατρό σας.

5. Πρόσθετες πληροφορίες

5.1 Αεροπορικό ταξίδι

Αυτή η συσκευή περιέχει 2 μαγνήτες, μεγέθους 1–1,5 mm, βάρους 0,15–0,2 g. Είναι άπθιανοι οι μαγνήτες να ενεργοποιήσουν μεταλλικούς ανιχνευτές, όπως εκείνοι που χρησιμοποιούνται στα αεροδρόμια, αλλά προκειμένου να αποφευχθούν δυσάρεστα συμβάντα, συνιστάται να ενημερώνετε εκ των προτέρων το προσωπικό ασφαλείας για τη φωνητική πρόθεση που διαθέτετε και να επιδεικνύετε την κάρτα χρήστη Pronox ActiValve.

5.2 Ημερομηνία εκτύπωσης και βοηθητικές πληροφορίες για τους χρήστες

Ο αριθμός της έκδοσης αυτών των οδηγιών χρήσης, καθώς και τα στοιχεία επικοινωνίας με τον κατασκευαστή, αναφέρονται στο οπισθόφυλλο.

6. Αναφορά

Επισημαίνεται ότι οποιοδήποτε σοβαρό συμβάν που έχει προκύψει σε σχέση με τη συσκευή πρέπει να αναφέρεται στον κατασκευαστή και την εθνική αρχή της χώρας στην οποία διαμένει ο χρήστης ή/και ο ασθενής.

Provox ActiValve Ses Rehabilitasyon Sistemi

Stomal hava yolu yönetimi

Acil durumlar

Acil durum personelinin boğazınızdan solunum yaptığınızı bilmesi önemlidir. Bu bilgi, oksijen ve suni solunumun ağzınıza veya burnunuza değil, stomanıza uygulanması gerektiğini belirlemelerine yardımcı olacaktır.

Sizin ve klinisyeninizin www.atosmedical.com/rescuebreathing adresinden suni solunum yönergelerini indirmenizi öneririz. Provox ActiValve ürününüzün ambalajında açık sarı bir Acil Durum kartı ve Provox ActiValve Kullanıcı Kartı bulunur. Hem Acil Durum Kartını hem de Provox ActiValve Kullanıcı Kartını her zaman yanınızda bulundurmanızı öneririz.

İsteğe bağlı durumlar

Entübasyon (soluk borusuna bir solunum tüpü yerleştirilmesi) gerektiren bir prosedürden geçmeniz gerektiren durumda, prosedürü gerçekleştiren anestezi uzmanı ve doktorun boğazınızdan solunum yaptığınızı ve ses protezi kullandığınızı bilmesi gerekir. Ses protezinizin yerinde kalması gerektiğini anlamaları önemlidir. Çıkarılması durumunda, ağzınızdan, yemek borunuzdan veya midenizden çıkan sıvılar soluk borunuza kaçabilir.

Ses protezinin yerinden oynamaması veya dışarı çıkmaması için entübasyon tüpünün dikkatlice yerleştirilmesi ve çıkarılması önemlidir.

1. Sözlük

Klinisyen — Tıbbi uzman veya uygun lisansa sahip konuşma ve dil terapisti/patoloğu veya ses rehabilitasyon prosedürleri konusunda eğitim almış klinik uzman hemşire.

HME — Isı ve Nem Değiştirici (Heat and Moisture Exchanger). Soluk aldığınızda havaya geri döndürülecek şekilde, solunan havanın ısı ve nemini tutan cihaz.

PE-Segmenti — Faringoözofajiyal segment. Yemek borusunun, ses protezi kullanıldığında doku titreşimiyle ses oluşturulan kısmı.

TE-ponksiyonu — Trakeözofageal ponksiyon. Soluk borusu ve yemek borusu arasında oluşturulan, içine ses protezi yerleştirilen küçük suni açıklık.

Trakeostoma — Soluk borusunun deriye bağlı olduğu, boğazın önündeki soluma ağzı ("stoma" olarak da adlandırılır).

Ses protezi -TE ponksiyonuna yerleştirilen tek yönlü bir valf. Valfte, her iki tarafta, valfin yerinde kalmasını sağlayan bir flanş vardır. Hava, valften konuşma için yemek borusuna yönlendirilebilir, böylelikle soluk borusuna gıda ve sıvı girme riski azaltılır.

2. Tanımlayıcı bilgi

2.1 Kullanım endikasyonları

Provox ActiValve, total larenjektomiden sonra ses rehabilitasyonu için tedavi edilmiş bir ponksiyon içerisine anterograd yerleşim için tasarlanmış, steril olmayan, kalıcı bir ses protezidir. Cihaz, önceki ses protezlerinde erken sızıntı yaşayan hastalar için geliştirilmiştir (cihaz ömrü 4-8 haftadan az). Cihaz, kullanıcıların tümünde olmasa da çoğunda sık değiştirme ihtiyacını azaltır.

2.2 KONTRENDİKASYONLARI

Provox ActiValve şu amaçlarla kullanılmamalıdır:

- yeni açılmış bir ponksiyona yerleştirme,
- MRI muayenesi (Manyetik Rezonans Görüntüleme) veya Radyasyon Tedavisi sırasında kullanım.

2.3 Cihazın tanımı

Provox ActiValve Ses Protezi [Şekil 1], bir TE-ponksiyonunu konuşma amacıyla açık tutarken, soluk borusuna sıvı ve gıda girişi riskini azaltan, steril olmayan, tek kullanımlık, tek yönlü bir valftir. Valf kapağı [C] için stabilite ve dengeli bir sızdırmazlık yüzeyi sağlayan iki adet tutma flanş [A] ve bir mavi halkası [B] vardır. Protez, kalıcı bir implant değildir ve periyodik olarak değiştirilmesi gerekir.

Cihaz, tıbbi kullanıma uygun silikon kauçuktan ve röntgende görünür, florlu plastikten üretilmiştir. Cihazın hiçbir parçası doğal kauçuk lateksten üretilmemiştir. Dış çapı 7,5 mm'dir (22,5 Fr). Provox ActiValve, 4,5, 6, 8, 10 ve 12,5 mm uzunluklarda

mevcuttur ve valf için farklı açılma kuvvetleriyle sağlanır. Açılış kuvvetini, halka ve valf kapağındaki mknatıslar [D] belirlir (mknatıslar ayarlanabilir değildir). Açılış kuvvetleri basit bir görsel kontrolle görülemeyeceğinden, cihazın yanında, ses protezi hakkında önemli bilgiler sağlayan Provox ActiValve Kullanıcı Kartları verilir. Kullanıcı kartlarını kaybederseniz size yenilerini verebilecek olan klinisyeninizle görüşün.

Ambalajda yer alan aşağıdaki öğeler hasta kullanımı için tasarlanmış olup klinisyeniniz tarafından size verilmelidir:

- 2 Provox Fırça,
- 1 Provox Plug,
- 1 Provox ActiValve Kayganlaştırıcı,
- 1 Acil Durum Kartı,
- 2 Provox ActiValve Kullanıcı Kartı.

2.4 UYARILAR

Provox ActiValve ses protezinin kazara yutulması gerçekleşebilir. Bu gerçekleşirse, doktorunuza danışın; size tavsiyede bulunacaktır.

Provox ActiValve ses protezinin veya Provox ActiValve ses rehabilitasyon sisteminin diğer bileşenlerinin kazara aspirasyonu (yani, cihaz soluk borusuna düşer) meydana gelebilir. Hemen görülen semptomlar, öksürme, boğulma veya hırlamayı içerebilir. Bu gerçekleşirse, derhal tıbbi tedavi alın. Hava yollarınızdaki bir yabancı cisim şiddetli komplikasyonlara yol açabilir ve bir klinisyen tarafından çıkarılmalıdır.

Dikkat: Hemen görülen belirtiler olmadan veya sadece hafif öksürük durumunda cihazı içeri çekmiş veya yutmuş olabilirsiniz. Cihazın ponksiyonda görünmemesi durumunda, şiddetli veya hafif belirtiler göstermenize veya hiçbir belirti göstermemenize bakılmaksızın derhal klinisyen ile iletişime geçin.

Tekrar kullanım veya tekrar işleme koyma, hastaya zarar verebilecek şekilde cihazda hasara ve çapraz kontaminasyona neden olabilir.

Provox ActiValve ses protezinde veya herhangi bir aksesuarında değişiklik yapmayın. Bu durum, cihazın içeri çekilmesi veya yutulması riskini artırabilir.

2.5 ÖNLEMLER

Aşağıdaki durumlarda klinisyeninize danışın:

- Protezden veya protez etrafında sızıntı varsa (öksürme ve/veya mukus rengi değişikliği).
- Konuşmada zorlanma varsa (daha fazla çaba ve/veya ses daha zorlanmış gelirse).
- Ponksiyon bölgesinde enflamasyon veya doku değişikliklerine dair belirtiler varsa (ağrı, sıcaklık, şişlik, fırçalama sonrasında fırçada kan izleri).
- Ses protezinin malzemesinde veya ponksiyona girme biçiminde bir değişiklik görürseniz.
- Bir şey içerken sık sık öksürmeden şikayetçiyse ve ses protezini temizlemek sorunu çözmiyorsa. Bu durum, ses protezi üzerinden veya çevresinden sızıntının erken belirtisi olabilir.
- Cihaz çevresinde kanamanız veya aşırı doku büyümesi varsa.
- Provox ActiValve ürününün bulunduğu yerde sürekli ağrı veya rahatsızlığınız varsa.
- Kronik öksürük veya nefes alırken sorun yaşıyorsanız ya da mukozanızda kan varsa. Bunlar, tıbbi yardım gerektiren ciddi sağlık sorunlarının belirtileri olabilir.

Enfeksiyon riskini azaltmak için:

Ellerinizi trakeostoma alanına koymadan önce ve ses protezinizi ve/veya aksesuarlarını temizlemeden önce, ellerinizin tamamen temizlenmiş ve kuru olduğundan emin olun.

Trakeostoma ve ses protezinize girebilecek veya onlarla temas edebilecek tüm cihazları temiz halde tutun.

Ürün hasarı riskini azaltmak için:

Protezinizin kullanımı ve temizlenmesi için sadece Provox ActiValve ile kullanılması amaçlanmış orijinal Provox aksesuarları kullanın. **Başka cihazlar kişisel yaralanmaya veya ses protezinin zarar görmesine neden olabilir.**

Ses protezinin işlevini korumaya yardımcı olmak için protezi belirtildiği biçimde temizleyin ve yağlayın.

Provox ActiValve ses protezini yağlamak için sadece Provox ActiValve Kayganlaştırıcı kullanın. Diğer kayganlaştırıcılar ses protezine zarar verebilir.

Yaralanma riskini azaltmak için:

Her türlü tıbbi tedavi veya muayeneden geçmeden önce sağlık personeline mutlaka Provox ActiValve cihazınız hakkında bilgi verin ve Provox ActiValve Kullanıcı Kartınızı gösterin. Ayrıca bkz. Kontrendikasyonlar bölümü.

Provox ActiValve Kayganlaştırıcı ürününü ve diğer aksesuarları, bunları soluması veya yutması halinde zarar görebilecek olan çocukların ve evcil hayvanların erişemeyeceği bir yerde saklayın.

Provox ActiValve ürününü evde veya kendi başınıza değiştirmeye çalışmayın. Cihazın yalnızca bir sağlık çalışanı tarafından çıkarılması ve değiştirilmesi gerekir.

3. Kullanım talimatları

3.1 Provox ActiValve konuşma için nasıl kullanılır?

Bazı kişilerde yutma veya nefes alma sırasında farinkste/özofagusta negatif basınç oluşur. Bu durum, valfin istem dışı açılmasına yol açabilir. Valfte bulunan mknatıslar, valfi açmak için gerekli ilk basıncı artırır. Böylece, istem dışı açılma önlenir.

Bunun sonucunda, konuşmaya başlamak için daha fazla kuvvete ihtiyacınız olduğunu hissedebilirsiniz. Başlangıçtaki manyetik direnç aşıldığında Provox ActiValve ile konuşmak, diğer Provox ses protezleriyle olduğu gibidir.

3.2 Temizleme ve Bakım

Ses protezinizle konuşabilmeniz için protezin, içinden havanın geçebilmesi adına temiz olması gerekir. Protezin düzenli temizlenmesi de, cihaz ömrünün uzatılmasına yardımcı olur.

Protezi Provox Brush ile günde iki kez ve her öğünden sonra fırçalayarak mucusu ve gıda kalıntılarını protezden temizleyin. Protezin Provox Flush ile yıkanması da cihazın temizlenmesine yardımcı olur.

Günde bir defa sabah temizledikten sonra ses protezinin iç lümenine bir Provox Brush kullanarak bir damla Provox ActiValve Lubricant uygulayın. Ürünü kullanmadan önce Provox ActiValve Yağlayıcısıyla birlikte verilen Kullanım Talimatlarını okuyun.

Dikkat:

- Provox ActiValve Lubricant ürününü doğrudan şişeden ses protezinin üzerine uygulamayın. Bu, sıvının akciğerlere gitmesine neden olabilir [Şekil 2]. Bu veya kayganlaştırıcının miktar veya sıklık açısından aşırı kullanımı şiddetli öksürüğe, pnömoniye veya ciddi solunum sorunlarına yol açabilir.
- Provox ActiValve Lubricant ürününün şişe ağzını genişletmeyin.

3.3 Cihazın kullanım ömrü

Bireysel biyolojik koşullara göre cihaz ömrü farklılık gösterir ve daha uzun bir dönemden sonra cihazın yapısal bütünlüğü öngörülemez. Cihazın malzemesi, örn. bakteri ve mayadan etkilenir ve cihazın yapısal bütünlüğü nihayetinde bozulacaktır.

Yayılcı altı suyu, probiyotikler ve kafeinli hafif içecekler gibi bazı gıdalar, ses protezinde bakteri oluşmasını azaltabilir. Dengeli bir diyet önemlidir. Diyetinizde herhangi bir değişikliğin gerekli olup olmadığını öğrenmek için lütfen klinisyeninize danışın.

3.4 Aksesuarlar

Provox Brush / Provox Brush XL, protezin içini temizlemek için kullanılır veya Provox ActiValve Kayganlaştırıcı uygulayın.

Provox Flush, protezin yıkanmasını sağlayan ilave bir temizleme cihazıdır.

Provox Plug, protezden sızıntıyı geçici olarak engelleyen bir İlk Yardım aracıdır.

Provox ActiValve Lubricant, Provox ActiValve'in içerisindeki valf yüzeyi için kayganlaştırıcı işlevi görür.

3.5 Atma

Kullanılmış bir tıbbi cihazı atarken biyolojik tehlikelerle ilgili tıbbi uygulamalara ve ulusal gerekliliklere daima uyun.

4. Olumsuz olaylar/ Semptoma göre sorun giderme

Provox ActiValve ses protezinin değiştirilmesinin endikasyonları; valften sızıntı, protezin tıkanması, aşırı bakteri ve kandida üreyerek malzemelerin bozulmasına yol açması ve/veya konuşma için aşırı basınç gerekmesini içerir. Diğer değişiklik nedenleri, ponksiyon yolu sorunları gibi tıbbi endikasyonları içerir.

Prostetik ses rehabilitasyonunun riskleri ve faydaları hakkında bilgi vermek ve olumsuz olaylarla karşılaştığınızda yapabileceğiniz hakkında talimat vermek, klinisyeninizin sorumluluğundadır. Tüm talimatları tam olarak anladığınızdan emin değilseniz, klinisyeninizden daha fazla açıklama isteyin.

Semptom: Protez yerindeyken öksürme (içme veya yemeyle tetiklenmiş).

En yaygın sebepler: Protezden veya protez etrafında sızıntı.

Önlemler:

1. Protezi Provox Brush ve mümkünse Provox Flush ile de temizleyin. Valfin düzgün kapanmasını önleyen gıda artıkları olabilir.

Sızıntı devam ederse:

2. Bir şey içerken protezi gözlemleyin. Ortadan mı yoksa protezin etrafından mı sızıntı yaptığınızı belirlemeye çalışın.

- a) Ortadan sızıntı yaptığını düşünüyorsanız bir şey yerken ve içerken sızıntıyı önlemek için Provox Vega Plug kullanabilirsiniz. Klinisyeninize yeni bir proteze ihtiyacınız olduğunu bildirin.
- b) Etrafından sızıntı yaptığını düşünüyorsanız veya Plug ile sızıntı durmuyorsa klinisyeninize proteziniz etrafında sızıntı olabileceği bilgisini verin.

Semptom: Bazen konuşmak mümkün olmuyor (valf açılmıyor).

Olası neden: Valf kapağının valf yatağına yapışarak valfin açılmasını önlemesi. Valf ne kadar uzun süre kullanılmazsa (örneğin, geceleri), bunun gerçekleşme olasılığı o kadar artar.

Önlemler: Ses protezini temizleyip yağlayın (bkz. Temizlik ve Bakım bölümü). Temizleme ve yağlamanın sorunu çözmemesi durumunda: Klinisyeninize başvurun.

Semptom: Konuşma git gide zorlaşır.

En yaygın sebepler: Valf tıkanması, boğazda doku şişkinliği (örn. radyoterapi sırasında).

Önlemler:

1. Protezi Provox Brush ve/veya Flush ile temizleyin. Hava akışı direncini artıran gıda artıkları olabilir.
2. Bu yardımcı olmazsa: Derhal klinisyeninize başvurun.

Semptomlar: Protez veya stoma alanında ağrı, sıcaklık, şişme ve kızarıklık (birlikte veya ayrı ayrı).

En yaygın sebepler: Doku enflamasyonu ve enfeksiyonlar.

Önlemler: Derhal klinisyeninize başvurun.

Semptomlar: Fırçalama sonrasında fırçada kan izleri görülüyor.

En yaygın sebepler: Doku enflamasyonu ve özofagus tarafında enfeksiyonlar.

Önlemler: Derhal klinisyeninize başvurun.

5. Ek bilgi

5.1 Uçak yolculuğu

Bu cihazda, 1-1,5 mm boyunda ve 0,15-0,2 gram ağırlığında 2 mıknatıs bulunur. Mıknatısın havalimanlarında kullanılanlar gibi metal dedektörleri etkinleştirme olasılığı düşüktür ancak bu tür olaylardan kaçınmak için güvenlik personeline ses protezinizin olduğunu önceden bildirmeniz ve Provox ActiValve Kullanıcı Kartınızı göstermeniz tavsiye edilir.

5.2 Baskı tarihi ve kullanıcı yardımı bilgileri

Bu Kullanma Talimatları'nın versiyon numarası ve üretici iletişim bilgileri, arka kapakta bulunmaktadır.

6. Bildirme

Cihazla ilgili meydana gelen herhangi bir ciddi olay üreticiye ve kullanıcının ve/veya hastanın ikamet ettiği ülkedeki ulusal yetkiliye bildirilmelidir.

Система восстановления голоса Provox ActiValve

Обращение с воздухопроводом стомы

Чрезвычайные ситуации

Важно, чтобы специалисты аварийных служб знали о том, что вы используете шейный дыхательный аппарат. Это позволит им определить, что подачу кислорода и искусственное дыхание необходимо выполнять в стому, а не в рот или нос.

Мы рекомендуем вам и вашему врачу загрузить инструкции по искусственному дыханию с сайта www.atosmedical.com/rescuebreathing

В комплекте Provox ActiValve вы найдете ярко-желтую карточку пациента для экстренных ситуаций и карточку пациента Provox ActiValve. Мы рекомендуем вам постоянно носить с собой карточку пациента для экстренных ситуаций и карточку пациента Provox ActiValve.

Плановые ситуации

Если вам требуется пройти процедуру, для которой требуется интубация (установка дыхательной трубки в трахею), крайне важно, чтобы врач-анестезиолог и врач, выполняющий данную процедуру, знали, что вы используете шейный дыхательный аппарат, а также голосовой протез. Важно, чтобы они понимали, что голосовой протез нельзя извлекать. При его извлечении, жидкости изо рта, пищевода или желудка могут попасть в трахею.

Крайне важно соблюдать осторожность при установке и извлечении эндотрахеальной трубки, чтобы голосовой протез не переместился или не выпал.

1. Глоссарий

Врач — квалифицированный медицинский работник или обладающий соответствующей квалификацией логопед/специалист по патологии речи или частнопрактикующий медицинский работник, прошедший подготовку по процедурам восстановления голоса.

НМЕ — теплообменник (Heat and Moisture Exchanger). Устройство, сохраняющее температуру и влажность выдыхаемого воздуха для обеспечения соответствующих характеристик вдыхаемого воздуха.

ТП-сегмент — трахеопищеводный сегмент. Часть пищевода, в которой формируется звук путем вибрации ткани при использовании голосового протеза.

ТП-фистула — трахеопищеводная фистула. Небольшое искусственное отверстие, создаваемое между трахеей и пищеводом, куда помещается голосовой протез.

Трахеостома — дыхательное отверстие в передней части шеи, где трахея соединяется с кожей (также называется «стомой»).

Голосовой протез — одноходовой клапан, вставляемый в трахеопищеводную фистулу. Клапан оснащен с обеих сторон фланцами, которые удерживают клапан на месте. Воздух можно перенаправлять через клапан в пищевод для обеспечения голосовой коммуникации, снижая риск попадания пищи и жидкостей в трахею.

2. Описание

2.1 Показания к применению

Provox ActiValve представляет собой нестерильный постоянный голосовой протез, предназначенный для антероградной установки в зажившую фистулу с целью восстановления голоса после полной ларингэктомии. Это устройство предназначено для пациентов, испытывающих раннюю утечку через предыдущие голосовые протезы (срок службы устройства менее 4–8 недель). Это устройство можно заменять реже для большинства (но не для всех) пациентов.

2.2 ПРОТИВОПОКАЗАНИЯ

Provox ActiValve НЕ предназначен:

- для установки в новой фистуле,
- для применения во время исследования МРТ (магнитно-резонансной томографии) или во время лучевой терапии.

2.3 Описание устройства

Голосовой протез Provox ActiValve [рис. 1] представляет собой нестерильный одноходовой клапан для одноразового использования, который держит трахеопищеводную фистулу в открытом положении для произнесения речи и снижает

риск попадания жидкости и пищи в трахею. Он оснащен двумя фиксирующими фланцами [A] и синим кольцом [B], которое обеспечивает дополнительную стабильность и ровную уплотнительную поверхность для заслонки клапана [C]. Протез не является долговечным имплантатом, его необходимо периодически менять.

Устройство изготовлено из медицинской силиконовой резины и рентгеноконтрастного фторопласта. Это устройство изготовлено без использования натурального каучукового латекса. Наружный диаметр составляет 7,5 мм (22,5 Fr). Доступны модели Provox ActiValve длиной 4,5, 6, 8, 10 и 12,5 мм, а также с различными открывающими усилиями клапана. Магниты [D] на кольце и заслонке клапана определяют открывающее усилие (магниты не подлежат регулировке). Так как открывающие усилия невозможно определить при простом визуальном осмотре, устройства поставляются с карточками пациента Provox ActiValve, которые также содержат важную информацию о голосовой протезе. В случае потери карточек пациента обратитесь к своему врачу, который может организовать их замену.

Следующие позиции в комплекте предназначены для использования пациентом и должны быть переданы вам врачом:

- 2 щетки Provox,
- 1 заглушка Provox Plug,
- 1 флакон смазывающего вещества Provox ActiValve Lubricant,
- 1 карточка пациента для экстренных ситуаций,
- 2 карточки пациента Provox ActiValve.

2.4 ПРЕДУПРЕЖДЕНИЯ

Возможно случайное проглатывание голосового протеза Provox ActiValve. Если это произойдет, обратитесь к своему врачу, который проконсультирует вас в отношении дальнейших действий.

Возможно случайное вдыхание (например, в случае падения устройства в трахею) голосового протеза Provox ActiValve или других компонентов системы восстановления голоса Provox ActiValve. Немедленные симптомы могут включать кашель, удушье или хрипы. Если это произойдет, немедленно обратитесь за медицинской помощью. Инородное тело в дыхательных путях может привести к серьезным осложнениям и должно удаляться врачом.

Предостережение. Вы можете вдохнуть или проглотить устройство без возникновения каких бы то ни было непосредственных симптомов или с появлением только легкого кашля. Если устройства не видно в фистуле, немедленно обратитесь к врачу вне зависимости от наличия сильно или слабо выраженных симптомов или при отсутствии любых симптомов.

Повторное использование и повторная обработка могут вызвать перекрестное заражение и повреждение устройства, что может нанести вред пациенту.

Не изменяйте голосовой протез Provox ActiValve или любые его принадлежности. При этом повышается риск вдыхания или проглатывания устройства.

2.5 МЕРЫ ПРЕДОСТОРОЖНОСТИ

Проконсультируйтесь с врачом в следующих случаях

- Наличие утечки через протез или по краям протеза (кашель и (или) изменение цвета слизи).
- Затруднения во время произнесения речи (требуется больше усилий и/или голос звучит более напряженно).
- Появление признаков воспаления или изменения ткани в области фистулы (боль, повышение температуры, воспаление, следы крови на щетке после чистки).
- Вы заметили изменения внешнего вида материала голосового протеза или его положения в фистуле.
- Частые приступы кашля во время приема напитков, причем очистка голосового протеза не устраняет кашель. Это может быть первым признаком утечки через голосовой протез или по его краям.
- Вокруг устройства наблюдается кровотечение или разрастание тканей.
- В области установки Provox ActiValve наблюдаются постоянные болевые ощущения или дискомфорт.
- Вы испытываете хронический кашель, затруднения при дыхании, или в слизи имеются следы крови. Эти симптомы могут свидетельствовать об опасных нарушениях здоровья, которые требуют медицинской помощи.

Меры по снижению риска заражения

Убедитесь, что ваши руки являются чистыми и сухими перед их помещением в область трахеостомы или перед очисткой голосового протеза и/или аксессуаров.

Держите в чистоте все устройства, которые могут контактировать или входить в трахеостому и голосовой протез.

Меры по снижению риска повреждения изделия

Пользуйтесь только подлинными принадлежностями Provox, предназначенными для ухода за вашим протезом Provox ActiValve или для его чистки. **Другие устройства могут привести к травмированию пациента и повреждению голосового протеза.**

Для обеспечения функциональных возможностей голосового протеза очищайте и смазывайте его, как описано.

Для смазки голосового протеза Provox ActiValve используйте только смазывающее вещество Provox ActiValve Lubricant. Другие смазывающие вещества могут повредить голосовой протез.

Снижение риска травм

Перед прохождением любого медицинского лечения или осмотра всегда информируйте медицинских работников о своем Provox ActiValve и демонстрируйте им карточку пациента Provox ActiValve. Кроме того, см. раздел «Противопоказания».

Держите смазывающее вещество Provox ActiValve Lubricant и другие принадлежности в недоступном для детей и домашних животных месте, так как его вдыхание или проглатывание может представлять опасность для их здоровья.

Не пытайтесь заменить Provox ActiValve в домашних условиях или самостоятельно. Только медицинский работник имеет право извлекать или заменять это устройство.

3. Инструкции по применению

3.1 Способы использования Provox ActiValve для устной речи

У некоторых людей при глотании или вдыхании возникает отрицательное давление в глотке/пищевод. Это может привести к непреднамеренному открытию клапана. Магниты в клапанах повышают первоначальное давление, необходимое для открытия клапана. Это позволяет предотвратить непреднамеренное открытие.

В результате вы можете почувствовать, что вам требуется приложить больше усилий, чтобы начать говорить. После преодоления первоначального магнитного сопротивления использование Provox ActiValve аналогично использованию других голосовых протезов Provox.

3.2 Очистка и обслуживание

Чтобы разговаривать с голосовым протезом, он должен быть чистым, чтобы обеспечивать свободное прохождение воздуха. Регулярная чистка протеза также помогает продлить срок службы устройства.

Для удаления слизи и остатков еды из протеза очищайте его с помощью щетки Provox Brush дважды в день, а также после каждого приема пищи. Промывка протеза с помощью Provox Flush также поможет очистить устройство.

Раз в день после утренней очистки также смазывайте внутреннюю полость голосового протеза одной каплей смазывающего вещества Provox ActiValve Lubricant с помощью щетки Provox Brush. Перед использованием прочитайте инструкцию по применению, прилагаемую к Provox ActiValve Lubricant.

Предостережение.

- Не наносите смазывающее вещество Provox ActiValve Lubricant из флакона непосредственно на голосовой протез, так как это может стать причиной попадания жидкости в легкие [рис. 2]. Такой способ нанесения или излишний объем смазывающего вещества могут привести к приступам сильного кашля, развитию пневмонии или возникновению серьезных проблем с дыханием.
- Не увеличивайте отверстие во флаконе смазывающего вещества Provox ActiValve Lubricant.

3.3 Срок службы устройства

Срок службы устройства зависит от индивидуальных биологических условий, и предсказать структурную целостность устройства в долгосрочной перспективе невозможно. На материал устройства будут воздействовать различные бактерии и дрожжевой грибок, поэтому герметичность конструкции устройства со временем ухудшится.

Применения в пищу определенных продуктов питания, например пахты, пробиотиков и кофеиносодержащих напитков позволит сократить появление бактерий и дрожжевых грибков на голосовом протезе. Крайне важно поддерживать сбалансированную диету, поэтому обсудите со своим врачом рекомендации по необходимым изменениям диеты.

3.4 Принадлежности

Provox Brush/Provox Brush XL используется для очистки внутренней поверхности протеза или нанесения смазывающего вещества Provox ActiValve Lubricant.

Provox Flush представляет собой дополнительное устройство для очистки, которое позволяет промывать протез.

Provox Plug представляет собой приспособление для оказания первой помощи, которое временно блокирует утечку через протез.

Provox ActiValve Lubricant используется для смазки поверхности клапана внутри протеза Provox ActiValve.

3.5 Утилизация

Всегда следуйте медицинской практике и национальным требованиям в отношении биологически опасных веществ при утилизации использованных медицинских устройств.

4. Нежелательные явления/поиск и устранение неисправностей по симптомам

К показаниям для замены голосового протеза Provox ActiValve относится утечка через клапан, блокировка протеза, чрезмерный рост бактерий и грибка Candida, приводящий к ухудшению свойств материалов и/или приложению чрезмерных усилий при разговоре. К другим причинам для замены относятся такие медицинские показания, как проблемы с областью фистулы.

В обязанности вашего врача входит уведомление вас о рисках и преимуществах протезирования для восстановления голоса и инструктаж по действиям, которые нужно предпринять в случае возникновения нежелательных явлений. Если вы не уверены, что полностью поняли все указания, попросите своего врача разъяснить более подробно.

Симптом: кашель (вызываемый проглатыванием воды или пищи) во время использования протеза.

Наиболее вероятные причины: утечка через протез или по краям протеза.

Меры:

1. Очистите протез щеткой Provox Brush и, если возможно, также с использованием Provox Flush. Возможно наличие остатков пищи, препятствующих надлежащему закрыванию клапана.

Если утечка не устранена:

2. Осмотрите протез во время питья. Попробуйте установить, где происходит утечка: через него или вокруг него.

- Если вам кажется, что утечка происходит через протез, можно воспользоваться заглушкой Provox Vega Plug для предотвращения утечки во время приема пищи или питья. Уведомите своего врача о необходимости установки нового протеза.
- Если вам кажется, что утечка происходит по краям, или если заглушка не останавливает утечку, уведомите о возможном наличии протечки по краям протеза.

Симптом: иногда невозможно говорить (клапан не открывается).

Возможная причина: крышка клапана приклеилась к его седлу, что предотвращает открытие клапана. Чем дольше клапан не используется (например, в ночное время), тем выше вероятность такого исхода.

Меры: очищайте и смазывайте голосовой протез (см. раздел «Очистка и обслуживание»). Если очистка и смазка не помогли: обратитесь к своему врачу.

Симптом: разговаривать становится все тяжелее и тяжелее.

Наиболее вероятные причины: закупорка клапана, воспаление ткани в горле (например, во время лучевой терапии).

Меры:

- Очистите протез с помощью щетки Provox Brush и/или устройства Flush. Возможно, остатки пищи увеличивают сопротивление воздушному потоку.
- Если это не помогло: немедленно обратитесь к своему врачу.

Симптомы: боль, жар, воспаление и сыпь (по отдельности или вместе) в области протеза или стомы.

Наиболее вероятные причины: воспалительный процесс в ткани и заражения.

Меры: немедленно обратитесь к своему врачу.

Симптомы: на щетке видны следы крови после очистки протеза.

Наиболее вероятные причины: воспалительный процесс в ткани и заражения со стороны пищевода.

Меры: немедленно обратитесь к своему врачу.

5. Дополнительная информация

5.1 Полеты на самолетах

Это устройство оснащено 2 магнитами; размер которых составляет от 1 до 1,5 мм, а вес от 0,15 до 0,2 грамма. Маловероятно, что эти магниты вызовут срабатывание таких металлодетекторов, которые используются в аэропортах, но для предотвращения подобных ситуаций рекомендуется заблаговременно сообщить сотрудникам служб безопасности о вашем голосовом протезе и продемонстрировать им карточку пациента Provox ActiValve.

5.2 Дата печати и справочная информация для пользователя

Номер версии инструкции по применению и контактная информация производителя указаны на обратной стороне обложки.

6. Уведомление

Обратите внимание, что о любых серьезных происшествиях с этим устройством необходимо сообщать производителю и в орган государственной власти той страны, в которой проживает пользователь и/или пациент.

Provox ActiValve Voice Rehabilitation System (プロヴォックス ActiValveボイスプロテーゼ)

永久気管孔気道管理

緊急事態

救急医療者に患者さまが気管孔呼吸者であることを知ってもらうことが重要です。酸素および人工呼吸を口や鼻ではなく永久気管孔に施す必要があると判断するのに役立ちます。

患者さまおよび担当の医療従事者に人工呼吸に対するガイドラインをwww.atosmedical.com/rescuebreathingからダウンロードしていただくことを推奨しています。

お使いのProvox ActiValve (プロヴォックスActiValve) のパッケージ内に、鮮やかな黄色の救急カードおよびProvox ActiValve User Card (プロヴォックスActiValveユーザーカード) が入っています。救急カードおよびプロヴォックスActiValveユーザーカードは両方とも常に携帯することを推奨しています。

待機状況

挿管(気管に呼吸チューブを挿入) する必要がある手技を受けなければならない場合、患者さまが気管孔呼吸者であり、ボイスプロテーゼを使用していることを麻酔専門医および手技を行う医師に認識してもらうことが非常に重要です。ボイスプロテーゼは定位置から動かしてはいけないことを麻酔科医および執刀医師が理解していることが重要です。取り外した場合、口、食道、または胃からの液体が気管に入る場合があります。

挿管チューブの挿管と取り外しは注意深く行い、ボイスプロテーゼがずれたり外れたりしないようにすることが非常に重要です。

1.用語

医療従事者 - 医療専門家または適切な資格を持った言語聴覚士、またはシャント発声手技について訓練を受けた臨床専門看護師。

HME - Heat and Moisture Exchanger (熱および水分交換器)。呼気の温度および湿度を保持するデバイスであり、吸気する空気に加温と加湿を行います。

PE部 - 食道入口部。ボイスプロテーゼを使用中に組織の振動によって音を発生させる食道部分。

シャント孔 - 気管食道孔。ボイスプロテーゼを装着する、気管と食道の間に作成した小さな人工的な孔。

気管孔 - 首の前面に開けた呼吸用の孔であり、気管が皮膚につながっています(「永久気管孔」とも呼ばれます)。

ボイスプロテーゼ - シャント孔に挿入した一方弁。弁には定位置に留まることができるように両側にフランジが付いています。発話のために食道の弁を介して空気の向きを変えることができ、食べ物と飲み物が気管に入る危険性を軽減します。

2.本製品の説明

2.1 使用目的

プロヴォックスActiValveは非滅菌の留置型ボイスプロテーゼであり、咽頭全摘出術後のシャント発生のために治療したシャント孔に順行的に挿入するために使用します。本製品は従来のボイスプロテーゼで早期のうちに漏れが発現した(製品寿命4~8週間未満)患者さまに使用します。本製品により大半の患者さまにおいて、頻繁な交換の必要性が減少しています(すべての患者さまにあてはまるわけではありません)。

2.2 禁忌

プロヴォックスActiValveは次の場合には使用しないでください:

- シャント孔形成を行ったばかりのシャント孔への挿入
- MRI(磁気共鳴画像法)検査または放射線治療を受ける場合

2.3 製品説明

Provox ActiValve Voice Prosthesis (プロヴォックスActiValveボイスプロテーゼ) (図1)は非滅菌の単回使用一方弁であり、発話のためにシャント孔を維持し、液体および食物が気管に入る危険性を軽減します。2つの保持用フランジ(A)、安定性を高める青い輪(B)、そして弁(C)のための滑らかな密着面があります。本ボイスプロテーゼはインプラントではないため、定期的な交換する必要があります。

この製品は、医療グレードのシリコーンゴムおよびX線不透過性のフッ素樹脂で作られています。天然ゴムラテックスで製造された部品はありません。外側の直径は7.5 mm (22.5Fr) です。プロヴォックスActiValveは4.5、6、8、10、および12.5 mmの長さを選んでいただくことができ、各製品の弁の開口力は異なります。輪の磁石 (D) および弁によって開口力が決まります (磁石は調整できません)。開口力は単純な目視検査では判明しないため、製品にはプロヴォックスActiValveユーザーカードがついており、ボイスプロテーゼに関する重要な情報も提供しています。ユーザーカードを紛失した場合は、交換を手配することができる担当の医療従事者に問い合わせてください。

パッケージに入っている次の品は患者さまが使用するためのものですので、担当の医療従事者から受け取ってください：
Provox Brush (プロヴォックスブラシ) 2本
Provox Plug (プロヴォックスプラグ) 1本
Provox ActiValve Lubricant (プロヴォックスActiValve潤滑剤) 1本
救急カード1枚
プロヴォックスActiValveユーザーカード 2枚

2.4 警告

プロヴォックスActiValveボイスプロテーゼを偶発的に飲み込んでしまう場合があります。その場合は、担当医師に連絡し、指示を仰いでください。

プロヴォックスActiValveボイスプロテーゼまたはプロヴォックスActiValveボイスプロテーゼのその他の部品の偶発的な誤嚥 (製品が気管に落ちる) が起こる場合があります。直ちに現れる症状には、咳、窒息、喘鳴などがあります。誤嚥が起こった場合、直ちに医師の診察を受けるようにしてください。気道内の異物は重度の合併症を引き起こすことがあるため、医療従事者によって除去する必要があります。

注意: 誤嚥または飲み込んだ直後に症状がないか、またはわずかな咳しか出ない場合があります。製品がシャント孔から見えない場合、症状が重度か、軽度か、またはないかにかかわらず、医療従事者に直ちに連絡をとってください。

再使用や再処理は二次感染および製品の破損を招くおそれがあり、患者さまに害の及ぶことがあります。

プロヴォックスActiValveボイスプロテーゼまたはアクセサリーを改造しないでください。製品の誤嚥または脱落の危険性が増すことがあります。

2.5 使用上の注意

次の場合、担当医療従事者に相談してください：

- プロテーゼ本体や周囲から漏れがある (咳や粘液の色の変化)
- 発音が困難 (以前より難儀だったり声がひずんだりする)
- シャント孔部位に炎症や組織の変化の徴候が見られる (痛み、熱、腫張、ブラシをかけたあとのブラシに血痕)
- ボイスプロテーゼの部品の外観が変化した、またはシャント孔へのフィット感に変化を感じる
- 飲み物を飲む時に咳が頻繁に出るようになり、ボイスプロテーゼをクリーニングしても問題が解消しないボイスプロテーゼ本体または周囲からの漏れの早期の徴候である場合があります。
- 製品周辺の組織の出血または肥厚
- プロヴォックスActiValveの装着領域に持続する痛みや不快感がある
- 慢性的な咳、呼吸がしにくい、痰に血が混じるこれらは、治療が必要な深刻な健康状態の徴候である場合があります。

感染の危険性を下げるために：

気管孔部分に触れる前、またはボイスプロテーゼやアクセサリーをクリーニングする前には、必ず手を十分に洗って乾燥させてください。

気管孔およびボイスプロテーゼに触れたりその内部に入れたりするすべての器具を清潔に保ってください。

製品損傷の危険性を下げるために：

プロテーゼの取扱いとクリーニングには、プロヴォックスActiValve専用の正規のProvoxアクセサリーのみを使用してください。他の器具を使用すると、負傷したり、ボイスプロテーゼが損傷する恐れがあります。

機能性の維持に役立つため、指示に従ってボイスプロテーゼをクリーニングし、潤滑剤を塗ってください。

プロヴォックスActiValveボイスプロテーゼの潤滑剤にはプロヴォックスActiValve潤滑剤のみを使用してください。他の潤滑剤を使用すると、ボイスプロテーゼが損傷する恐れがあります。

負傷の危険性を下げるために：

医療従事者にお使いのプロヴォックスActiValveについて常に通知し、あらゆる治療または検査を受ける前にプロヴォックスActiValveユーザーカードを見せてください。禁忌の項も参照してください。

プロヴォックスActiValve潤滑剤およびその他のアクセサリーは、子供やペットが触れないところに保管してください。吸い込んだり、飲み込むと、傷害の原因となります。

プロヴォックスActiValveをご自宅またはご自身で交換しないでください。本製品は医療専門家のみが取り外しと交換を行う必要があります。

3. 使用方法

3.1 発話のためのプロヴォックスActiValveの使用方法

嚥下または吸気を行う際に咽頭や食道に陰圧を感じる場合があります。これにより弁が意図せず開くことがあります。弁に磁石があることで、弁を開き始めるために強い圧力が必要になっています。これにより意図しない開口が防がれています。

このため、発話を開始する際により多くの力が必要であるように感じる場合があります。初めの磁石の抵抗を克服できたら、プロヴォックスActiValveはその他のProvoxボイスプロテーゼと同様に使用でき、発話が行えます。

3.2 クリーニングおよびメンテナンス

ボイスプロテーゼを使って発話するためには、空気が通ることができるようにクリーニングする必要があります。プロテーゼの定期的なクリーニングによって製品の寿命を保つことができます。

一日に2回と毎食後にプロヴォックスブラシでプロテーゼを洗浄すると、プロテーゼから粘液や残留食物を除去することができます。Provox Flush (プロヴォックスフラッシュ) でプロテーゼを洗浄することも製品のクリーニングに役立ちます。

1日に1回、朝のクリーニングの後に、プロヴォックスブラシを使用してボイスプロテーゼの内腔にプロヴォックスActiValve潤滑剤を1滴塗布します。使用前に、プロヴォックスActiValve潤滑剤に付属の取扱説明書をお読みください。

注意：

- 容器から直接プロヴォックスActiValve潤滑剤をボイスプロテーゼに塗布しないでください。肺に潤滑剤が沈着する可能性があります(図2)。潤滑剤が沈着したり、潤滑剤が多過ぎたり、または頻繁に使用すると、激しい咳、肺炎、または重篤な呼吸疾患を引き起こす可能性があります。
- プロヴォックスActiValve潤滑剤の容器の開口部を広げないでください。

3.3 製品の寿命

個々の生物学的条件により製品の寿命は異なり、長期間にわたって製品が構造的に正常に動作するとは限りません。素材が細菌や酵母などの影響を受けると、最終的に構造が変化します。

バターミルク、プロバイオティクス、カフェイン入りの飲み物などの特定の食品を加えることで、ボイスプロテーゼにおける細菌や酵母の発生が抑えられる場合があります。バランスの取れた食事は重要です。食事の変更が推奨されるかどうか、担当の医療従事者に相談してください。

3.4 アクセサリー

プロヴォックスブラシ / プロヴォックスブラシ XLはプロテーゼの内側をクリーニングするため、またはプロヴォックスActiValve潤滑剤を塗布するために使用します。

プロヴォックスフラッシュはプロテーゼをフラッシュできる追加の洗浄用品です。

プロヴォックスプラグはプロテーゼ内筒からの漏れを一時的に止めるための救急ツールです。

プロヴォックスActiValve潤滑剤プロヴォックスActiValveの弁の内側表面の潤滑剤として使用します。

3.5 廃棄

使用済みの医療機器の廃棄は、必ず、バイオハザードに関する医学的慣習および国の要件に従って行ってください。

4. 有害事象と症状ごとのトラブルシューティング

プロヴォックスActiValveボイスプロテーゼの交換の目安は、弁からの漏れ、プロテーゼの詰まり、製品の劣化につながる細菌やカンジダの過剰増殖、発話に過剰な力が必要になった、などの場合です。その他の交換理由としては、シャント孔の問題などの医学的症狀などが挙げられます。

担当する医療従事者は、プロテーゼによるシャント発声のリスクと利点について患者さまに説明し、有害事象が起こった際にどうすべきかを指示する責任があります。すべての指示を完全に理解したか明確ではない場合、担当の医療従事者に追加の説明を依頼してください。

症状：プロテーゼ装着中の咳（飲食によって引き起こされる）

よくある原因：プロテーゼ本体、またはプロテーゼ周囲の漏れ

対策：

1. プロヴォックスブラシでプロテーゼをクリーニングし、可能な場合はプロヴォックスフラッシュも使用します。弁の

適切な閉口を妨げる残留食物がある場合があります。

漏れが続く場合：

2. 飲み物を飲む際にプロテーゼを観察します。漏れがプロテーゼの中心と周囲のいずれから出ているかを特定します。

- a) 中心から漏れていると思われる場合、漏れを防ぐために飲食中にProvox Vega Plug (プロヴォックスウェガプラグ) を使用することができます。担当の医療従事者に新しいプロテーゼが必要であることを知らせてください。
- b) 周囲から漏れていると思われる場合、またはプラグで漏れが止まらない場合、担当の医療従事者にプロテーゼの周囲から漏れがある可能性があることを知らせてください。

症状：発話ができないことがある（弁は開口していない）。

考えられる原因：弁の蓋が弁座に接着しているため、弁の開口を防いでいます。これは弁を長期間（夜間など）使用しなかった場合に起こることがあります。

対策：ボイスプロテーゼをクリーニングし、潤滑剤を塗ります（クリーニングおよびメンテナンスの項を参照してください）。クリーニングおよび潤滑剤の塗布で解消しない場合：担当の医療従事者に連絡してください。

症状：発話がますます困難になっている。

よくある原因：弁の閉塞、喉の組織の腫れ（放射線治療中など）

対策：

1. プロヴォックスブラシやプロヴォックスフラッシュでプロテーゼをクリーニングします。空気抵抗を高める残留食物がある場合があります。
2. 解消しない場合：担当の医療従事者に直ちに連絡してください。

症状：プロテーゼまたは永久気管孔領域の痛み、熱、発疹（同時または単独）。

よくある原因：組織炎症および感染。

対策：担当の医療従事者に直ちに連絡してください。

症状：ブラッシング後にプロヴォックスブラシに血の跡がみられる。

よくある原因：食道側の組織炎症および感染。

対策：担当の医療従事者に直ちに連絡してください。

5. 追加情報

5.1 飛行機での旅行

本製品は磁石を2個含んでおり、サイズは1~1.5 mm、重さは0.15~0.2グラムです。磁石は空港で使用されるような金属探知機に検出されることはありませんが、事故を避けるために、セキュリティ担当者にはボイスプロテーゼを使用していることを事前に知らせ、プロヴォックスActiValveユーザーカードを提示することをお勧めします。

5.2 印刷年およびユーザーサポート情報

本取扱説明書のバージョン番号および製造者、問い合わせ先に関する情報は、裏表紙に記載しています。

6. 報告

製品に関連して発生した重大な事故はすべて、使用者および/または患者が居住している国の製造業者および国家当局に報告されますので、ご了承ください。

Provox ActiValve 음성 재활 시스템

기문 기도 관리

응급 상황

목으로 호흡하는 환자임을 응급 요원에게 알리는 것이 중요합니다. 그래야만 응급 요원이 입이나 코가 아닌 기문을 통해 산소 및 구조 호흡을 실시해야 한다는 것을 알 수 있습니다.

환자와 주치의는 www.atosmedical.com/rescuebreathing에서 구조 호흡 지침을 다운로드하는 것이 좋습니다.

Provox ActiValve 패키지에는 밝은 노란색 응급 카드와 Provox ActiValve 사용자 카드가 있습니다. 응급 카드와 Provox ActiValve 사용자 카드를 모두 항상 소지하는 것이 좋습니다.

선택적인 상황

삼관이 필요한 시술(기관에 호흡관 삽입)이 필요한 때 마취의와 시술의는 환자가 목으로 호흡하며 인공성대를 사용 중임을 반드시 알고 있어야 합니다. 이들 의사가 인공성대가 제자리에 있어야 한다는 것을 이해하는 것이 중요합니다. 인공성대를 제거하면 입, 식도 또는 위의 액체가 기관으로 유입될 수 있습니다.

삼관 튜브를 조심스럽게 삽입하고 제거하여 인공성대가 빠지거나 나오지 않도록 하는 것이 매우 중요합니다.

1. 용어

임상의 - 음성 재활 절차를 훈련받은 의료 전문가 또는 적합한 면허를 가진 발성 및 언어 치료사/병리학자 또는 임상 전문 간호사

HME - 열 습도 교환기(Heat and Moisture Exchanger, HME). 숨을 들이마실 때 공기로 돌아가는 호기의 열과 습기를 유지하는 장치.

PE 분절 - 인두-식도 분절. 인공성대를 사용할 때 조직의 진동에 의해 소리가 생성되는 식도 부분

TE 천공 - 기관식도 천공. 인공성대가 배치된 기도와 식도 사이에 인공적으로 생성된 작은 개구부

기관창 - 목 앞쪽의 호흡구로, 기도와 피부가 연결된 부위(“기문”이라고도 함).

인공성대 - TE 천공에 삽입되는 단방향 밸브. 이 밸브의 양쪽에는 밸브를 제자리에 고정해주는 플랜지가 있습니다. 이 밸브를 통해 공기를 식도로 유입시켜 발성을 하며 그 과정에서 음식물과 액체가 기도로 유입될 위험을 줄입니다.

2. 설명 정보

2.1 사용 목적

Provox ActiValve는 후두전절제술을 받은 후 음성 재활을 위해 치유된 천공에 선행 삽입하는 비멸균 유지 인공성대입니다. 이 장치는 기존 인공성대(장치 수명 4-8주 미만)에 조기 누출이 발생한 환자에게 사용하기 위한 것입니다. 이 장치는 대부분 환자에서 자주 교체할 필요가 없지만 모든 환자에서 그런 것은 아닙니다.

2.2 금기 사항

Provox ActiValve는 다음 용도로 사용할 수 없습니다.

- 새로 생성된 천공에 삽입
- 자기 공명 영상(MRI) 검사 또는 방사선 치료 중에 장착

2.3 장치 설명

Provox ActiValve 인공 성대[그림. 1]는 발성을 위해 TE 천공을 개방 상태로 유지하면서 유체와 음식물이 기도로 들어갈 위험을 줄여주는 비멸균 일회용 단방향 밸브입니다. 2개의 고정 플랜지[A] 그리고 밸브 플랩[C]에 균일한 밀폐면과 안정성을 더해주는 파란색 링[B]이 있습니다. 인공성대는 영구적인 이식물이 아니며 정기적인 교체가 필요합니다.

이 장치는 의료용 실리콘 고무와 방사선비투과 불소수지 성분으로 제작됩니다. 이 장치에는 천연 고무 라텍스로 제조된 부분이 없습니다. 외경은 7.5mm(22.5Fr)입니다. Provox ActiValve는 4.5, 6, 8, 10 및 12.5mm 길이와 다양한 밸브 개방력으로 제공됩니다. 개방력은 링 및 밸브 플랩의 자석[D]에 따라 결정됩니다(자석은 조절 불가). 단순한 육안 검사 시에는 개방력이 분명치 않기 때문에 이 장치에는 인공성대에 대한 중요한 정보를 제공하는 Provox ActiValve 사용자 카드가 제공됩니다. 사용자 카드를 분실한 경우, 새 카드 교부를 위해 임상의에게 문의하십시오.

패키지에 포함된 다음 품목은 환자용으로, 임상의가 환자에게 전달해야 합니다.

Provox Brush 2개

Provox Plug 1개

Provox ActiValve 윤활제 1개
응급 카드 1개
Provox ActiValve 사용자 카드 2개

2.4 경고

실수로 Provox ActiValve 인공성대를 삼킬 수 있습니다. 이런 일이 발생하면 의사에게 자세한 조언을 구하십시오.

Provox ActiValve 인공성대 또는 Provox ActiValve 음성 재활 시스템의 다른 구성품을 실수로 흡인(즉, 장치를 기도로 떨어뜨림)할 수 있습니다. 이로 인한 즉각적인 증상에는 기침, 질식 또는 천명을 등이 있습니다. 이 경우, 즉시 의료진의 치료를 받으십시오. 기도에 이물질이 있으면 심각한 합병증을 유발할 수 있으므로 임상의가 제거해야 합니다.

주의: 기기를 흡인하거나 삼킨 후 즉각적인 증상이 없거나 가벼운 기침만 나타날 수 있습니다. 천공에 장치가 보이지 않으면 증상의 중등도에 상관없이 즉시 임상의에게 문의하십시오.

재사용 및 재가공할 경우 교차 오염과 장치 손상이 발생하여 환자에게 피해를 줄 수 있습니다.

Provox ActiValve 인공성대 또는 그 부속품을 개조하지 마십시오. 장치를 흡인하거나 삼킬 위험이 높아질 수 있습니다.

2.5 주의 사항

다음의 경우 임상의에게 문의하십시오.

- 인공성대나 그 주변에 누출이 있는 경우(기침 및/또는 점액 색 변화)
- 발성이 힘들어지는 경우(말할 때 더 힘이 들거나 말소리가 더 부자연스러워짐)
- 천공 부위에 염증 또는 조직 변화의 징후가 있는 경우(통증, 열, 부종, 수술 후 흉에 혈흔이 남음)
- 인공성대의 재질 모양 또는 천공에 맞는 방식이 바뀐 경우
- 무엇인가를 마시는 동안 기침이 자주 발생하며 인공성대를 세척해도 문제가 해결되지 않는 경우. 이는 인공성대나 그 주변에 누출이 있다는 조기 징후일 수 있습니다.
- 장치 주변에 출혈이 있거나 조직이 과도 증식하는 경우
- Provox ActiValve 부위에 지속적인 통증이나 불편감이 느껴지는 경우
- 만성 기침, 호흡 곤란 또는 가래에 혈액이 나타나는 경우. 이는 의료진의 진료가 필요한 심각한 건강 상태의 징후 일 수 있습니다.

감염 위험을 줄이려면:

기관창 부위에 손을 닿기 전에 그리고 인공성대 및/또는 부속품을 세척하기 전에 손을 철저히 씻고 말려야 합니다.

기관창 및 인공성대에 유입되거나 접촉할 수 있는 모든 장치를 깨끗하게 유지하십시오.

제품 손상의 위험을 줄이려면:

인공성대의 취급 및 세척 시에는 Provox ActiValve용으로 제작된 정품 Provox 부속품만 사용하십시오. **다른 장치를 사용하면 부상을 입거나 인공성대가 손상될 수 있습니다.**

인공성대를 세척하고 윤활하면 기능을 유지하는 데 도움이 됩니다.

Provox ActiValve 인공성대의 윤활에는 Provox ActiValve 윤활제만 사용하십시오. 다른 윤활제를 사용하면 인공성대가 손상될 수 있습니다.

부상 위험을 줄이려면:

의료진의 치료나 검사를 받기 전에 항상 의료진에게 Provox ActiValve에 대해 알리고 Provox ActiValve 사용자 카드를 보여주십시오. 또한 금기 사항 섹션을 참조하십시오.

Provox ActiValve 윤활제 및 기타 부속품은 흡인하거나 삼키면 유해할 수 있으므로 어린이나 반려동물이 닿지 않는 곳에 보관하십시오.

가정에서 또는 혼자서 Provox ActiValve를 변경하지 마십시오. 이 장치는 의료 전문가만 제거하고 교체할 수 있습니다.

3. 사용 지침

3.1 Provox ActiValve를 사용하여 발성하기

사람에 따라 삼키거나 흡입할 때 인두/식도에 음압을 가하는 경우가 있습니다. 이 경우 밸브가 의도치 않게 열릴 수 있습니다. 밸브의 자석은 밸브를 여는 데 필요한 초기 압력을 높여서, 밸브가 의도치 않게 열리는 것을 방지합니다.

이로 인해 발성을 시작할 때 더 많은 힘이 필요하다고 느낄 수 있습니다. 자석의 초기 저항을 극복한 후에는 Provox ActiValve는 다른 Provox 인공성대와 유사한 방법으로 발성을 도와줍니다.

3.2 세척 및 유지 관리

인공성대를 사용하여 발생하려면 공기가 통과할 수 있도록 인공성대가 깨끗해야 합니다. 인공성대를 정기적으로 세척하면 장치 수명을 연장하는 데 도움이 됩니다.

하루에 2회 그리고 식후마다 Provox Brush로 인공성대를 솔질하면 인공성대에서 점액과 음식 찌꺼기를 제거하는 데 도움이 됩니다. Provox Flush로 인공성대를 세정하는 것 또한 장치를 깨끗하게 하는 데 도움이 됩니다.

아침에 세척한 후 하루에 한 번 Provox Brush를 사용하여 Provox ActiValve 윤활제 한 방울을 인공성대의 내부 루멘에 바르십시오. 사용하기 전에 Provox ActiValve 윤활제와 함께 제공된 사용 안내를 읽어 보십시오.

주의:

- Provox ActiValve 윤활제를 병에서 인공성대에 직접 바르지 마십시오[그림 2]. 폐에 액체가 쌓일 수 있습니다. 윤활제를 과도한 양이나 빈도로 사용하면 심한 기침, 폐렴 또는 심각한 호흡 문제가 발생할 수 있습니다.
- Provox ActiValve 윤활제의 병 입구를 눌러지 마십시오.

3.3 장치 수명

장치 수명은 개별 생물학적 환경에 따라 달라지므로 장치의 장기적인 구조적 무결성을 예측하는 것은 불가능합니다. 장치의 재료 성분은 세균, 이스트 등의 영향을 받으며, 장치의 구조적 무결성은 시간이 흐르면서 저하됩니다.

버터밀크, 프로바이오틱스 및 카페인이 첨가된 청량 음료와 같은 특정 식품을 첨가하면 인공성대에서 세균과 효모의 발생을 줄일 수 있습니다. 균형 잡힌 식단이 중요합니다. 식단 변화가 권장되면 임상가와 상의하십시오.

3.4 부속품

Provox Brush/ Provox Brush XL은 인공성대 내부를 세척하거나 Provox ActiValve 윤활제를 바르는 데 사용됩니다.

Provox Flush는 인공성대를 세정할 수 있는 추가 세척 장치입니다.

Provox Plug는 인공성대를 통한 누출을 임시로 차단하는 응급 처치 도구입니다.

Provox ActiValve 윤활제는 Provox ActiValve 내부의 밸브 표면에 윤활 기능을 합니다.

3.5 폐기

사용한 의료 장치를 폐기할 때에는 항상 생물학적 위험 물질에 관한 의료계 관행과 국가별 요구 사항을 준수하십시오.

4. 부작용 사례/ 증상별 문제 해결

Provox ActiValve 인공성대의 교체가 필요한 경우는 밸브를 통한 누출, 인공성대 막힘, 세균 및 캔디다 균 과도 증식으로 인한 재질의 분해 및/또는 발생을 위해 과도하게 높은 압력 필요 시 등입니다. 다른 교체 이유로는 천공 관의 문제와 같은 의학적 증상 등이 있습니다.

임상의는 환자에게 인공성대 음성 재활의 위험과 이점에 대해 알리고 부작용 발생 시 대처 방법을 안내할 책임이 있습니다. 모든 안내 사항을 완전히 이해하지 못했다면 임상사에게 자세한 설명을 요청하십시오.

증상: 인공성대를 장착한 동안 기침 발생(음식물을 먹거나 마시면 유발됨)

가장 일반적인 원인: 인공성대나 그 주변의 누출

해결 방법:

1. Provox Brush와 함께 가능하면 Provox Flush를 사용하여 인공성대를 세척합니다. 음식물 찌꺼기가 남아 있어 밸브가 제대로 닫히지 못하는 것일 수 있습니다.

누출이 지속되는 경우:

2. 음료를 마시는 동안 인공성대를 관찰합니다. 인공성대 중앙이나 주변에서 누출되는지 확인합니다.

a) 중앙에서 누출되는 것으로 판단되면 먹고 마시는 동안 Provox Vega Plug를 사용하면 누출을 방지할 수 있습니다. 임상사에게 새로운 인공성대가 필요하다는 것을 알려십시오.

b) 주변에서 누출되는 것으로 판단되거나 플러그로 누출을 막을 수 없으면 임상사에게 인공성대 주변에 누출 가능성이 있음을 알려십시오.

증상: 발생이 불가능할 때가 있음(밸브가 열리지 않음)

가능한 원인: 밸브 뚜껑이 밸브 시트에 달라 붙어 밸브가 열리지 않습니다. 밸브를 장시간(예: 밤새) 사용하지 않았을 때 이러한 가능성이 더 높아집니다.

해결 방법: 인공성대를 세척하고 윤활하십시오(세척 및 유지 관리 섹션 참조). 세척 및 윤활이 도움이 되지 않는 경우: 임상사에게 연락하십시오.

증상: 발생하기가 점점 더 어려워짐

가장 일반적인 원인: 밸브 막힘, 인후 조직의 부종(예: 방사선 치료 중).

해결 방법:

1. Provox Brush와 Provox Flush를 사용하여 인공성대를 세척합니다. 음식 찌꺼기가 남아 있어 공기 흐름 저항을 증가시키는 것일 수 있습니다.

2. 위의 방법이 도움이 되지 않는 경우: 임상사에게 즉시 연락하십시오.

증상: 인공성대 또는 기문 부위의 통증, 열, 부종 및 발진(함께 또는 단독 발생)

가장 일반적인 원인: 조직 염증 및 감염

해결 방법: 임상 의에게 즉시 연락하십시오.

증상: 솔질한 후에 솔에 피가 묻어 있음

가장 일반적인 원인: 식도 쪽 조직의 염증 및 감염

해결 방법: 임상 의에게 즉시 연락하십시오.

5. 추가 정보

5.1 공기 이동

이 장치에는 크기가 1~1.5mm, 무게가 0.15~0.2그램인 2개의 자석이 있습니다. 이들 자석은 공항에서 사용되는 것과 같은 금속 탐지기에서 감지되지 않을 가능성이 높지만, 그러한 가능성을 피하기 위해 보안 담당자에게 인공성대에 대해 미리 알리고 Provox ActiValve 사용자 카드를 보여주는 것이 좋습니다.

5.2 인쇄 날짜 및 사용자 지원 정보

본 사용 안내의 버전 번호 및 제조업체 연락처 정보는 뒤표지에 나와 있습니다.

6. 보고

장치와 관련하여 발생한 심각한 사고는 제조업체와 사용자 및/또는 환자가 거주하는 국가의 국가기관에 신고해야 합니다.

Provox ActiValve 聲音復健系統

氣管造口氣道管理

緊急情況

請務必讓緊急醫護人員知道您是依靠頸部呼吸的患者。這將有助於他們確定需要向您的氣管造口施用氧氣和進行人工呼吸，而非向嘴部或鼻部。建議您和您的醫生從以下網站下載人工呼吸指引：
www.atosmedical.com/rescuebreathing
在您的 Provox ActiValve 資料包中，您可找到明黃色的緊急處理卡以及 Provox ActiValve 使用卡。建議您隨時隨身攜帶緊急處理卡和 Provox ActiValve 使用卡。

其他情況

如果您需要進行插管手術（將一根呼吸管插進您的氣管中），請務必讓執行手術的麻醉師和醫生知道您是依靠頸部呼吸的患者，並且您當前正在使用人工發聲瓣。請務必讓他們知道該人工發聲瓣必須留在原位。若移除人工發聲瓣，來自您的口腔、食道或胃部的液體可能會進入您的氣管。
必須小心地插入或移除插管，以免人工發聲瓣無法拉出或取出。

1. 術語

醫生 — 醫療專業人士或持照言語治療師/病理學家或接受過聲音復健手術訓練的臨床專科護士。

HME — 熱氣與濕氣交換器 (Heat and Moisture Exchanger) 該裝置將保留呼出氣體中的濕氣和熱氣，然後將其加回您吸入的氣體中。

PE 段 — 咽食管段當使用人工發聲瓣時，食道中透過組織的震動而發聲的部位。

氣管食道穿孔口 — 氣管食道的穿孔口。在人工發聲瓣置入的氣管和食道之間建立的人造小開口。

氣切造口 — 頸前的呼吸開口，在此開口中氣管連接著皮膚（亦稱為「氣管切口」）。

人工發聲瓣 — 插入到氣管食道穿孔口中的單向閥門。該閥門每邊各帶有一個固定邊，用於將閥門固定在原位。氣流可通過閥門重新導向進入食道以進行發聲，同時可降低食物和液體進入氣管的風險。

2. 說明資訊

2.1 適應症

Provox ActiValve 是一個非滅菌留置式人工發聲瓣，專用於順行置入愈合的穿孔口，以在全喉切除術後進行聲音復健。本裝置適用於先前使用的人工發聲瓣出現早期洩漏（裝置壽命少於 4-8 週）的患者。對於大部份使用者（但並非所有使用者），本裝置可以減少頻繁更換的需要。

2.2 禁忌症

Provox ActiValve 不可用於：

- 插入新近形成的穿孔口，
- 在進行核磁共振成像 (MR) 檢查期間或在放射治療期間留置在原位。

2.3 裝置說明

Provox ActiValve 人工發聲瓣 [圖 1] 是一個非滅菌式一次性單向閥門，可使氣管食道穿孔口保持張開以進行發聲，同時降低液體和食物進入氣管的風險。它帶有兩個固定邊 [A] 和一個藍色環 [B]，藍色環不但可增加穩定性，還可密封閥瓣 [C] 的表面。人工發聲瓣並非永久性植入物，需要定期更換。

裝置由醫用級矽膠和不透射線的氟塑膠製成。本裝置的任何部分均不含天然乳膠。外徑為 7.5 毫米 (22.5 Fr)。Provox ActiValve 可提供 4.5、6、8、10 和 12.5 毫米的長度，不同閥門帶有不同的張開力。環中的磁鐵 [D] 和閥瓣決定了張開力（磁鐵不可調整）。透過簡單的肉眼檢測不能明顯地識別張開力，因此本裝置隨附的 Provox ActiValve 使用卡中還提供了關於人工發聲瓣的重要資訊。如果您遺失了使用卡，請聯絡您的醫生，其可以為您安排更換。

包裝中的以下用品供患者使用，應由醫生交給患者：

- 2 個 Provox Brush
- 1 個 Provox Plug
- 1 瓶 Provox ActiValve 潤滑劑
- 1 張緊急處理卡
- 2 張 Provox ActiValve 使用卡

2.4 警告

可能會發生意外吞下 Provox ActiValve 人工發聲瓣的情況。若發生這種情況，請聯絡您的醫生，其可為您提供進一步建議。

可能會發生意外吸入 Provox ActiValve 人工發聲瓣（即裝置掉入氣管中）或 Provox ActiValve 聲音復健系統其他組件的情況。即發症狀可能包括咳嗽、窒息或喘鳴。若發生這種情況，請立即就醫。氣道中有異物可能會引起嚴重的併發症，必須由醫生取出異物。
注意：您可能會吸入或吞下裝置，而沒有出現即發症狀或只有輕微的咳嗽。若在穿刺口中看不到裝置，請立即聯絡醫生，無論您是否出現嚴重、輕微症狀或無症狀。

重複使用和重新處理可能會導致裝置的交叉污染和損壞，這可能會對患者造成傷害。

請勿改裝 Provox ActiValve 人工發聲瓣或其任何配件。這可能會增加吸入或吞下裝置的風險。

請勿改裝 Provox ActiValve 人工發聲瓣或其任何配件。

2.5 注意事項

若出現以下情況，請聯絡您的醫生：

- 人工發聲瓣中間或周圍洩漏（引起咳嗽和/或黏液顏色改變）。
- 說話變得困難（需要更用力或/或聲音聽起來更緊繃）。
- 穿刺部位出現炎症或組織變化（疼痛、發熱、腫脹、刷牙後牙刷有血跡）。
- 觀察到人工發聲瓣的材料外觀或在穿刺口內的貼合方式發生改變。
- 喝水時頻繁咳嗽，清潔人工發聲瓣也不能解決。這可能是人工發聲瓣中間或周圍洩漏的早期徵象。
- 裝置周圍的組織出血或增生。
- 置入 Provox ActiValve 人工發聲瓣的部位出現持續性疼痛或不適。
- 出現慢性咳嗽、呼吸困難或黏液帶血的症狀。這些可能是出現嚴重健康問題的徵象，需要就醫。

若要降低感染風險：

雙手接觸氣切造口部位以及清潔人工發聲瓣和/或配件之前，確保徹底清潔和乾燥雙手。

保持所有可能會進入或接觸氣切造口和人工發聲瓣的裝置清潔。

若要降低產品受損的風險：

處理及清潔人工發聲瓣時，只限使用適合與 Provox ActiValve 搭配使用的 Provox 原廠配件。其他裝置可能會造成人身傷害或人工發聲瓣受損。

遵照指示清潔和潤滑人工發聲瓣，以幫助保持其功能正常。

僅可使用 Provox ActiValve 潤滑劑對 Provox ActiValve 人工發聲瓣進行潤滑。其他潤滑劑可能會損壞人工發聲瓣。

若要降低受傷風險：

在進行任何醫學治療或檢查之前，務必告知醫療工作人員您的 Provox ActiValve 的相關情況，並向他們出示您的 Provox ActiValve 使用卡。另請參閱「禁忌症」章節。

將 Provox ActiValve 潤滑劑和其他配件放在兒童和寵物接觸不到的地方，否則其可能會因為吸入或吞下潤滑劑和配件而受傷。

不要嘗試在家或自行改裝 Provox ActiValve。僅可由專業醫護人員取下和更換本裝置。

3. 使用說明

3.1 如何使用 Provox ActiValve 說話

某些人在吞嚥或吸氣時咽喉/食道會帶有負壓。這可能會導致閥門意外打開。閥門中的磁鐵可增加打開閥門所需的初始壓力，從而防止閥門意外打開。

因此，您可能感到需要更用力才能開始說話。一旦克服了最初的磁鐵阻力，使用 Provox ActiValve 說話的方法與使用任何其他 Provox 人工發聲瓣相似。

3.2 清潔和保養

要使用人工發聲瓣說話，必須對其進行清潔以便讓氣流通過。人工發聲瓣的常規清潔還有助於延長裝置的使用壽命。

每天使用 Provox Brush 清潔人工發聲瓣兩次，並且在每次餐後進行清潔，以去除人工發聲瓣上的黏液和食物殘渣。使用 Provox Flush 沖洗人工發聲瓣也有助於清潔裝置。

早上清潔後，還需在 Provox Brush 滴一滴 Provox ActiValve 潤滑劑以對人工發聲瓣的內腔進行潤滑，每天一次。使用前，請閱讀 Provox ActiValve 潤滑劑隨附的使用說明。

注意：

- 不要將 Provox ActiValve 潤滑劑從瓶中直接塗抹到人工發聲瓣上，因為這可能會在肺部中積聚液體[圖 2]。這種做法及過量或頻繁使用潤滑劑均可能會導致嚴重咳嗽、肺炎或嚴重呼吸問題。
- 不要擴大 Provox ActiValve 潤滑劑的瓶口。

3.3 裝置使用壽命

裝置的使用壽命因不同的個體生物環境而異，因此無法預測本裝置在經過較長時間使用後的結構完整性。本裝置的材料會受到細菌和酵母菌等的影響，其結構完整性最終會受到破壞。

添加特定的食品（例如乳酪、益生菌和含咖啡因軟性飲料）可減少人工發聲瓣上出現的細菌和酵母菌。均衡飲食非常重要，如建議改變您的飲食，請與您的醫生討論。

3.4 配件

Provox Brush / Provox Brush XL 用於清潔人工發聲瓣的內部或塗抹 Provox ActiValve 潤滑劑。

Provox Flush 是額外的清潔裝置，可用於沖洗人工發聲瓣。

Provox Plug 是用於臨時堵塞人工發聲瓣洩漏的急救工具。

Provox ActiValve 潤滑劑用作 Provox ActiValve 內部閥門表面的潤滑劑。

3.5 丟棄

丟棄使用過的醫療裝置時，請遵照生物危害相關醫療實踐與國家規範。

4. 不良事件/疑難排解（按症狀）

更換 Provox ActiValve 人工發聲瓣的適用情況包括閥門洩漏、人工發聲瓣堵塞、細菌和念珠菌屬過度增生導致的材料劣化和/或需要更多壓力以發出聲音。其他更換的理由包括出現穿刺道問題等醫學指徵。

您的醫生有責任告知您使用人工發聲瓣復健的風險和益處，並指示您在發生不良事件時應如何去做。若您不確定您是否已完全明白所有指示，請要求您的醫生作進一步解釋。

症狀：置入人工發聲瓣後咳嗽（由飲水或進食引起）。

最常見的原因：人工發聲瓣中間或周圍洩漏。

措施：

1. 使用 Provox Brush 清潔人工發聲瓣，如有可能，同時使用 Provox Flush 進行清潔。可能存在食物殘渣阻礙閥門正確閉合。

若洩漏仍然存在：

2. 在喝水時觀察人工發聲瓣。嘗試確定洩漏出現在人工發聲瓣中間還是周圍。

- 如果您認為洩漏出現在中間，您可以在進食和喝水時使用 Provox Vega Plug，以防止出現洩漏，並通知您的醫生您需要更換新的人工發聲瓣。
- 如果您認為洩漏出現在周圍，或 Provox Vega Plug 無法停止洩漏，請通知醫生您的人工發聲瓣周圍可能出現洩漏。

症狀：有時候無法說話（閥門未打開）。

可能的原因：閥蓋粘在閥座上，阻礙了閥門打開。閥門越長時間（例如隔夜）不使用，越可能會出現這種情況。

措施：清潔人工發聲瓣並進行潤滑（參見「清潔和保養」章節）。若清潔和潤滑後情況沒有改善：聯絡您的醫生。

症狀：說話變得越來越困難。

最常見的原因：閥門阻塞，喉嚨組織腫脹（例如，在放射治療期間）。

措施：

- 使用 Provox Brush 和/或 Flush 清潔人工發聲瓣。可能存在食物殘渣，增加了氣流阻力。
- 如果採取這些措施情況沒有改善：立即聯絡您的醫生。

症狀：置入人工發聲瓣的部位或氣管造口出現疼痛、發熱、腫脹和皮疹（同時出現或單獨出現）。

最常見的原因：組織發炎和感染。

措施：立即聯絡您的醫生。

症狀：刷牙後牙刷上可見血跡。

最常見的原因：食道側面組織出現炎症和感染。

措施：立即聯絡您的醫生。

5. 其他資訊

5.1 飛行

本裝置帶有 2 個磁鐵，大小 1-1.5 毫米，重量 0.15-0.2 克。儘管磁鐵觸發金屬探測器（例如機場使用的金屬探測器）的可能性不大，但為了避免意外事件，可事先告訴安檢工作人員您使用人工發聲瓣，並向他們出示您的 Provox ActiValve 使用卡。

5.2 印製日期和使用者協助資訊

本使用說明的版本號和製造商聯絡資訊載於封底。

6. 回報

請注意，任何與裝置相關的嚴重事件，均應回報給使用者和/或患者所在國家/地區的製造商和政府主管部門。

الأعراض: تتم رؤية آثار دماء على الفرشاة بعد التنظيف بالفرشاة.
الأسباب الأكثر شيوعاً: التهاب الأنسجة والعدوى على الجانب المريئي.
الإجراءات: اتصل بالطبيب على الفور.

5. معلومات إضافية

1.5 السفر جواً

يشتمل الجهاز على حجري مغناطيس؛ يبلغ حجمهما 1 إلى 1.5 مم ووزنهما 0.15 إلى 0.2 جراماً. لا يُرجح أن تجعل أحجار المغناطيس أجهزة الكشف عن المعادن، كتلك التي تستخدم في المطارات، تطلق صافراتها ولكن لتجنب الحوادث، قد يكون من المستحسن إبلاغ أفراد الأمن مسبقاً بوجود جهاز الصوت الاصطناعي وإظهار بطاقة مستخدم Provox ActiValve لهم.

2.5 تاريخ الطباعة ومعلومات مساعدة المستخدم

يوجد رقم الإصدار الخاص بتعليمات الاستخدام هذه ومعلومات الاتصال بالشركة المصنعة على الغطاء الخلفي.

6. الإبلاغ

يُرجى ملاحظة أنه يجب إبلاغ الشركة المُصنِّعة والسلطة الوطنية بالبلد الذي يقيم فيه المستخدم و/أو المريض بأي حادث خطير يقع في ما يتعلق بالجهاز.

على إطالة العمر الافتراضي للجهاز.
نظف الجهاز الاصطناعي بفرشاة Provox Brush مرتين يوميًا وبعد كل وجبة لإزالة المخاط وبقياء الطعام عن الجهاز الاصطناعي. يساعد شطف الجهاز الاصطناعي باستخدام Provox Flush أيضًا على تنظيف الجهاز.

يجب أيضًا تزليق التجويف الداخلي لجهاز الصوت الاصطناعي بقطرة واحدة من مُزلق Provox ActiValve باستخدام فرشاة Provox Brush مرة واحدة في اليوم، بعد التنظيف في الصباح. قبل الاستخدام، اقرأ تعليمات الاستخدام المصاحبة لمُزلق Provox ActiValve Lubricant.

تنبيه:

- لا تضع مُزلق Provox ActiValve Lubricant من العبوة على جهاز الصوت الاصطناعي مباشرة، حيث قد يؤدي ذلك إلى ترسب السائل في الرنتين [الشكل 2]. يمكن أن يؤدي هذا الأمر أو الاستخدام المفرط لكمية المُزلق أو تكرار استخدامه إلى السعال الحاد أو الالتهاب الرئوي أو مشاكل التنفس الخطيرة.
- لا توسع فتحة عبوة مُزلق Provox ActiValve Lubricant.

3.3 عمر الجهاز

يتباين العمر الافتراضي للجهاز وفقًا للظروف البيولوجية الفردية ولا يمكن التنبؤ بالسلامة البنيوية للجهاز على مدار فترة زمنية طويلة. سوف تتأثر مواد الجهاز، بالبكتيريا والخمائر على سبيل المثال، وستدهور السلامة البنيوية للجهاز في نهاية الأمر.

قد يقلل إضافة بعض المواد الغذائية مثل مخيض اللبن وكناتنات البروبيوتيك الحية الدقيقة والمشروبات الغازية التي تحتوي على الكافيين من ظهور البكتيريا والخمائر على جهاز الصوت الاصطناعي. يُعد اتباع نظام غذائي متوازن أمرًا هامًا، يُرجى مناقشة الطبيب فيما إذا كانت هناك تغييرات مستحسنة بالنظام الغذائي.

4.3 الملحقات

تستخدم فرشاة Provox Brush / Provox Brush XL لتنظيف الجزء الداخلي من الجهاز الاصطناعي أو لوضع مُزلق Provox ActiValve Lubricant. يُعد Provox Flush جهاز تنظيف إضافيًا يتيح شطف الجهاز الاصطناعي. يُعد قابس Provox Plug أول أداة إسعافات أولية تقوم بسد التسرب من الجهاز الاصطناعي مؤقتًا. يعمل مُزلق Provox ActiValve Lubricant كَمُزلق للجزء الداخلي من سطح صمام Provox ActiValve.

5.3 التخلص من المنتج

احرص دائمًا على اتباع الممارسات الطبية والمتطلبات الوطنية المتعلقة بالمخاطر الحيوية عند التخلص من جهاز طبي مستعمل.

4. الأحداث السلبية / استكشاف الأخطاء وإصلاحها حسب الأعراض

تتضمن دواعي استبدال جهاز الصوت الاصطناعي Provox ActiValve التسرب من الصمام أو انسداد الجهاز الاصطناعي أو فرط نمو البكتيريا والمبيضات، الأمر الذي يؤدي إلى تدهور حالة المواد وأو الضغط الزائد اللازم للتمكن من التحدث. تتضمن الأسباب الأخرى للاستبدال الدواعي الطبية مثل المشاكل بحرى القلب. تقع مسؤولية إعلامك عن مخاطر ومزايا إعادة التأهيل الصوتي بالجهاز الاصطناعي وتوجيهك بما يجب فعله في حالة مواجهة أحداث سلبية على عاتق الطبيب. إذا لم تكن متأكدًا من فهمك لجميع التعليمات بشكل كامل، فاطلب المزيد من التوضيح من الطبيب.

العرض: السعال (الناجم عن الشرب أو الأكل) أثناء وجود الجهاز الاصطناعي في مكانه.

الأسباب الأكثر شيوعًا: التسرب من الجهاز الاصطناعي أو حوله.

الإجراءات:

1. نظف الجهاز الاصطناعي باستخدام فرشاة Provox Brush وإن أمكن، فاستخدم Provox Flush أيضًا. حيث قد تكون هناك بقايا طعام تحول دون إغلاق الصمام بالشكل الصحيح.
2. إذا استمر التسرب:
 - أ) فراقب الجهاز الاصطناعي أثناء الشرب. حاول التعرف على ما إذا كان التسرب من الوسط أو حول الجهاز الاصطناعي.
 - ب) إذا كنت تعتقد أن التسرب من الوسط، فيمكنك استخدام قابس Provox Vega Plug أثناء الأكل والشرب لمنع التسرب وأعلم الطبيب أنك بحاجة إلى جهاز اصطناعي جديد.
 - ب) أما إذا كنت تعتقد أن التسرب من حول الجهاز، أو إذا لم يوقف القابس التسرب، فأعلم الطبيب بأنه ربما يكون لديك تسرب حول الجهاز الاصطناعي.

العرض: لا يمكن التحدث في بعض الأحيان (لا يتم فتح الصمام)

السبب المحتمل: غطاء الصمام عالق بقاعدة الصمام، الأمر الذي يحول دون فتح الصمام. يصبح هذا الأمر مرجحًا بشكل أكبر كلما طالقت فترة عدم استخدام الصمام (طوال الليل على سبيل المثال)

الإجراءات: نظف جهاز الصوت الاصطناعي وقم بتزيينه (راجع قسم التنظيف والصيانة). إذا لم يُجِد التنظيف والتزيين نفعًا: فاتصل بالطبيب.

العرض: يصبح التحدث أصعب أكثر فأكثر.

الأسباب الأكثر شيوعًا: انسداد الصمام أو تورم الأنسجة في الحنجرة (أثناء العلاج الإشعاعي على سبيل المثال).

الإجراءات:

1. قم بتنظيف الجهاز الاصطناعي باستخدام فرشاة Provox Brush و/أو Flush. حيث قد تكون هناك بقايا طعام تزيد من مقاومة تدفق الهواء.
2. إذا لم يُجِد هذا نفعًا: فاتصل بالطبيب على الفور.

الأعراض: ألم، وحرارة، وتورم، وطفح (جميعًا أو كل على حدة) في منطقة الجهاز الاصطناعي أو الفغرة.

الأسباب الأكثر شيوعًا: التهاب الأنسجة والدوى.

الإجراءات: اتصل بالطبيب على الفور.

عدد 1 بطاقة طوارئ.
عدد 2 بطاقة مستخدم Provox ActiValve

4.2 التحذيرات

قد يحدث الابتلاع العرضي لجهاز الصوت الاصطناعي Provox ActiValve. إذا حدث ذلك، فاقصم بالطبيب الذي سيقدّم لك المزيد من النصائح.

قد يحدث الشطف العرضي (أي سقوط الجهاز في القصبة الهوائية) لجهاز الصوت الاصطناعي Provox ActiValve أو لمكونات نظام إعادة التأهيل الصوتي Provox ActiValve الأخرى. قد تتضمن الأعراض الفورية السعال، أو الاختناق أو الأزيز. إذا حدث ذلك، فاطلب العلاج الطبي الفوري. قد يتسبب وجود جسم غريب في القنوات الهوائية في مضاعفات حادة ويجب إزالته بواسطة طبيب.
تنبيه: قد تتسبب الجهاز أو تتلفه بدون وجود أعراض فورية، أو مع وجود سعال خفيف فقط. إذا لم يكن الجهاز مرئيًا في الثقب، فاقصم بالطبيب على الفور سواء كنت تعاني من أعراض حادة أو خفيفة أو في حالة عدم وجود أعراض.

قد تؤدي إعادة الاستخدام أو إعادة المعالجة إلى انتقال العدوى وإتلاف الجهاز، الأمر الذي قد يسبب الضرر للمريض.

لا تعتمد على تعديل جهاز الصوت الاصطناعي Provox ActiValve أو أي من ملحقاته. حيث قد يزيد هذا خطر شطف الجهاز أو ابتلاعه.

لا تعتمد على تعديل جهاز الصوت الاصطناعي Provox ActiValve أو أي من ملحقاته.

5.2 التدابير الوقائية

استشر الطبيب في حالة:

- وجود تسرب من الجهاز الاصطناعي أو حوله (السعال و/أو تغير لون المخاط)
- صعوبة التحدث (مجهود أعلى و/أو يبدو الصوت أكثر توترًا).
- وجود علامات على الالتهاب أو تغيرات الأنسجة في منطقة الثقب (الم، أو حرارة، أو تورم، أو آثار للدماء على الفرشاة بعد استخدام الفرشاة).
- رؤية تغيرات في مظهر مواد جهاز الصوت الاصطناعي أو الطريقة التي يتم تركيبه بها في الثقب.
- المعاناة من السعال أثناء الشرب بشكل متكرر، وعدم حل تنظيف جهاز الصوت الاصطناعي للمشكلة. قد تكون هذه علامة مبكرة على التسرب من جهاز الصوت الاصطناعي أو حوله.
- المعاناة من النزف أو فرط نمو الأنسجة حول الجهاز.
- المعاناة من ألم أو انزعاج مستمر في منطقة Provox ActiValve.
- المعاناة من السعال المزمن، أو صعوبة التنفس، أو وجود دماء في المخاط. يمكن أن تكون هذه علامات على الإصابة بحالة صحية خطيرة تتطلب العناية الطبية.

للحد من خطر العدوى:

تأكد من تنظيف اليدين تمامًا وتعقيفهما قبل وضع اليدين في منطقة الفغرة الرغامية، وقيل تنظيف جهاز الصوت الاصطناعي و/أو الملحقات.

حافظ على نظافة جميع الأجهزة التي قد تدخل في الفغرة الرغامية وجهاز الصوت الاصطناعي أو تتصل بهما بأي شكل من الأشكال.

للحد من خطر تلف المنتج:

لا تستخدم سوى ملحقات Provox الأصلية المخصصة للاستخدام مع Provox ActiValve للتعامل مع الجهاز الاصطناعي وتنظيفه. يمكن أن تتسبب الأجهزة الأخرى في وقوع الإصابة الشخصية أو تلف جهاز الصوت الاصطناعي.

قم بتنظيف جهاز الصوت الاصطناعي وتزيينه وفقًا للتوجيهات للمساعدة في الحفاظ على وظائفه.

لا تستخدم سوى مُزلق Provox ActiValve Lubricant لتزييت جهاز الصوت الاصطناعي Provox ActiValve. حيث قد تتلف المزلاقات الأخرى جهاز الصوت الاصطناعي.

للحد من خطر الإصابة:

احرص على إعلام العاملين في المجال الطبي دومًا بجهاز Provox ActiValve وأظهر لهم بطاقة مستخدم Provox ActiValve قبل الخضوع لأي نوع من أنواع العلاج الطبي أو الفحص. راجع أيضًا قسم موانع الاستعمال.

حافظ على وجود مُزلق Provox ActiValve Lubricant والملحقات الأخرى بعيدًا عن متناول الأطفال والحيوانات الأليفة التي قد تتعرض للأذى جراء استنشاقها أو ابتلاعها.

لا تحاول تغيير جهاز Provox ActiValve في المنزل أو بنفسك. حيث يجب عدم إزالة الجهاز واستبداله إلا على يد اختصاصي الرعاية الصحية فقط.

3. تعليمات الاستخدام

1.3 كيفية استخدام Provox ActiValve في التحدث

يكون لدى بعض الأشخاص ضغط سلبي في البلعوم/المرء أثناء ابتلاع الطعام أو استنشاق الهواء. يمكن أن يتسبب هذا الأمر في فتح الصمام عن غير قصد. تزيد أحجار المغناطيس الموجودة في الصمام الضغط الأولي اللازم لفتح الصمام. وبذلك تتم الحيلولة دون الفتح غير المقصود.

نتيجة لذلك، قد تشعر بأنك تحتاج إلى المزيد من القوة لبدء التحدث. بمجرد ضعف المقاومة المغناطيسية الأولية، يشبه Provox ActiValve استخدام أي جهاز صوت اصطناعي آخر من Provox للمكمن من التحدث.

2.3 التنظيف والصيانة

حتى تستطيع التحدث باستخدام جهاز الصوت الاصطناعي، يجب تنظيفه حتى يتمكن الهواء من المرور خلاله. يساعد التنظيف المنتظم للجهاز الاصطناعي أيضًا

نظام إعادة التأهيل الصوتي Provox ActiValve

التعامل مع الفتحة الهوائية

حالات الطوارئ

من المهم أن يعرف أفراد الطوارئ أنك تتنفس من خلال فتحة في الرقبة. سيساعدك هذا على معرفة أن الأوكسجين والتنفس الاصطناعي يجب تقديمه عن طريق الفتحة وليس عن طريق فمك أو أنفك.

نوصي أن تقوم أنت وطبيبك بتنزيل الإرشادات الخاصة بالتنفس الاصطناعي من

www.atosmedical.com/rescuebreathing

ستعثر على بطاقة طوارئ صفراء لامعة فضلاً عن بطاقة مستخدم Provox ActiValve في عبوة Provox ActiValve. نوصيك بحمل كل من بطاقة الطوارئ وبطاقة مستخدم Provox ActiValve في جميع الأوقات.

الحالات الانتقائية

إذا احتجت إلى الخضوع لإجراء يتطلب التنبيب (وضع أنبوب تنفس في قصبتك الهوائية)، فمن المهم جداً أن يكون طبيب التخدير والطبيب الذي يقوم بالإجراء على علم بأنك تتنفس من خلال فتحة في الرقبة وأنك تستعمل جهاز الصوت الاصطناعي. من المهم أن يفهما أن جهاز الصوت الاصطناعي يجب أن يبقى في مكانه. إذا أزيلت، فإن السوائل من فمك، أو الأنبوب الطعام، أو معدتك قد تتدخل لقصبتك الهوائية. من المهم جداً إبدال وإخراج أنبوب التنبيب بحذر حتى لا يزاح جهاز الصوت الاصطناعي أو يخرج من مكانه.

1. مسرد المصطلحات

الطبيب - اختصاصي المهن الطبية أو اختصاصي معالجة الكلام واللغات المرخص بالشكل الصحيح / الإخصائي أو الممرضة السريرية الاختصاصية المدربة على إجراءات إعادة التأهيل الصوتي.

مبادل الحرارة والرطوبة - (Heat and Moisture Exchanger, HME) الجهاز الذي يحتفظ بالحرارة والرطوبة في هواء الزفير، الذي تتم إعادته إلى الهواء عندما تتنفس.

PE-Segment - الجزء البلعومي المريئي. جزء أنبوب الطعام الذي ينشأ به الصوت عن طريق اهتزاز الأنسجة عند استخدام جهاز الصوت الاصطناعي.

TE-puncture - ثقب الفغرة الرغامية. فتحة اصطناعية صغيرة يتم فتحها بين القصبة الهوائية وأنبوب الغذاء يتم وضع جهاز الصوت الاصطناعي بها.

الفغرة الرغامية - فتحة تنفس في مقدمة الرقبة، تتصل فيها القصبة الهوائية بالجلد (يطلق عليها أيضاً "الفغرة").

جهاز الصوت الاصطناعي - صمام أحادي الاتجاه يتم إدخاله في ثقب الفغرة الرغامية. يشتمل الصمام على شفير على كلا الجانبين يتيح تثبيت الصمام في مكانه. يمكن إعادة توجيه الهواء من خلال الصمام إلى أنبوب الطعام للتمكن من التحدث، في حين يتم تقليل خطر دخول الطعام والسوائل في القصبة الهوائية.

2. معلومات فنية

1.2 دواعي الاستعمال

يُعد Provox ActiValve جهاز الصوت الاصطناعي المستقر غير المعقم المخصص للإدخال التدمي في ثقب ملتئم لإعادة تأهيل الصوت بعد الاستئصال الكلي للحنجرة. هذا الجهاز مصمم للمرضى الذين يعانون من تسرب ميكروبيسبب أجهزة الصوت الاصطناعية السابقة (يقل العمر الافتراضي للجهاز عن 4 إلى 8 أسابيع). يقلل الجهاز الحاجة إلى عمليات الاستبدال المتكررة لدى معظم المستخدمين، ولكن ليس لديهم جميعاً.

2.2 موانع الاستخدام

Provox ActiValve ليس مصمماً:

- للإدخال في الثقب الذي تم إنشاؤه حديثاً،
- للتثبيت في مكانه أثناء فحص MRI (التصوير بالرنين المغناطيسي)، أو أثناء العلاج الإشعاعي.

3.2 وصف الأداة

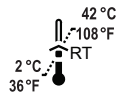
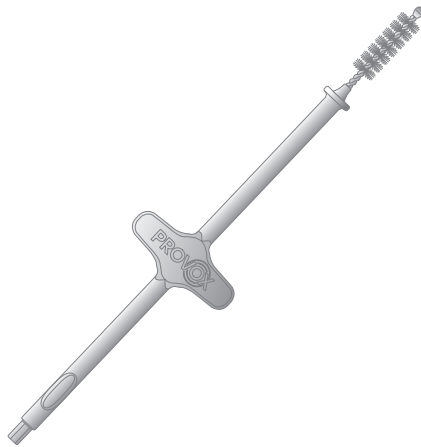
يمثل جهاز الصوت الاصطناعي Provox ActiValve [الشكل 1] صماماً أحادي الاتجاه غير معقم يُستخدم لمرة واحدة فقط يحافظ على فتح ثقب الفغرة الرغامية (TE) للتمكن من التحدث، في حين يقلل من خطر دخول السوائل والطعام في القصبة الهوائية. إنه يشتمل على شفيري احتجاز [A] وحلقة زرقاء [B] تضيف ثباتاً فضلاً عن سطح مانع تسرب مستوي للسان الصمام [C]. إن تركيب الجهاز الاصطناعي ليس عملية زرع دائمة ويلزم استبداله بشكل دوري.

تمت صناعة الجهاز من مطاط السيليكون ذي الدرجة الطبية والفلوروبلاستيك غير المنفذ للأشعة. لم تتم صناعة أي جزء من الجهاز باستخدام لانكس المطاط الطبيعي. يبلغ القطر الخارجي 7.5 مم (Fr 22.5). يتوفر Provox ActiValve بالأطوال 4.5، 6، 8، 10، و12.5 مم ويأتي بقوة فتح مختلفة للصمام. تحدد أحجار المغناطيس [D] الموجودة بالحلقة ولسان الصمام قوة الفتح (أحجار المغناطيس غير قابلة للضغط). نظراً لأن قوى الفتح لا تكون واضحة عند إجراء الفحص البصري البسيط، يأتي الجهاز مزوداً بطاقتين مستخدم Provox ActiValve التي توفر معلومات هامة أيضاً حول أجهزة الصوت الاصطناعية. إذا فقدت بطاقتين المستخدم، فاقصلي بالطبيب الذي يمكنه ترتيب البديل.

العناصر التالية الموجودة بالعبوة مخصصة للاستخدام من قبل المريض ويجب أن يسلمها لك الطبيب:

- عدد 2 فرشاة Provox Brush،
- عدد 1 قابس Provox Plug،
- عدد 1 مزلق Provox ActiValve Lubricant.

PROVOX Brush



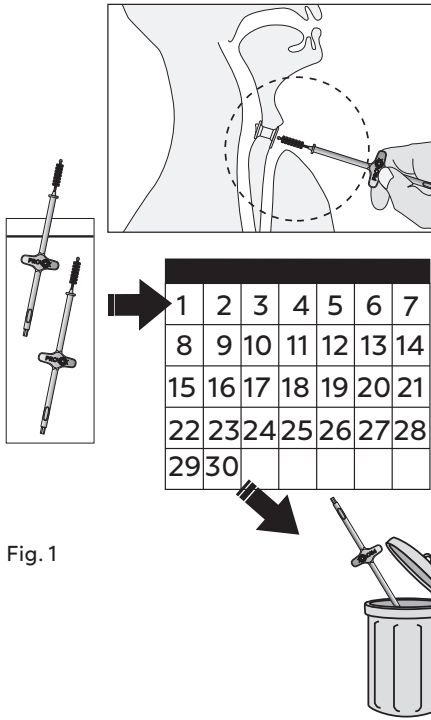


Fig. 1

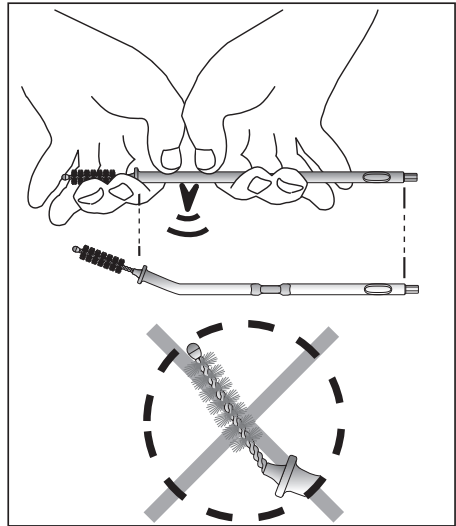


Fig. 2

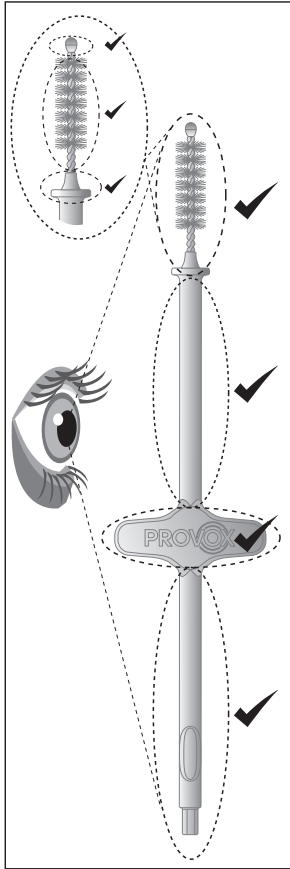


Fig. 3

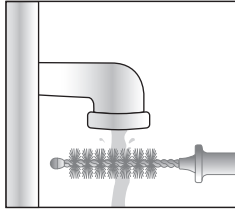


Fig. 4

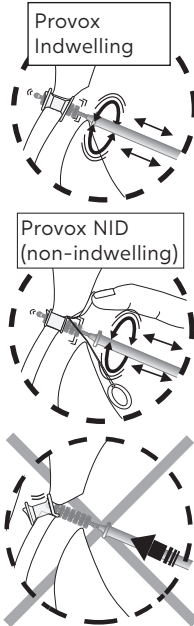


Fig. 5

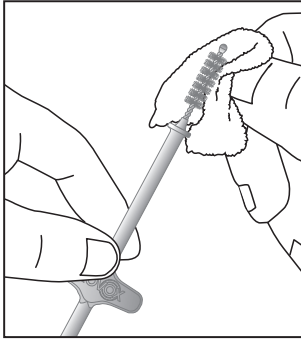


Fig. 6

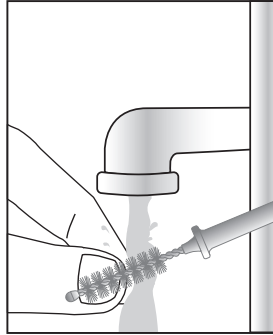


Fig. 8

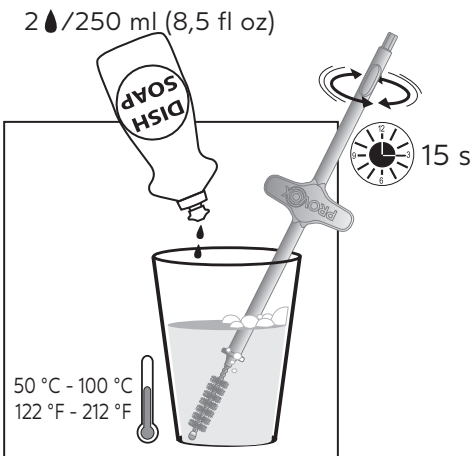


Fig. 7

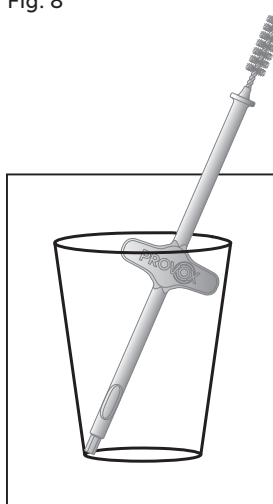


Fig. 9

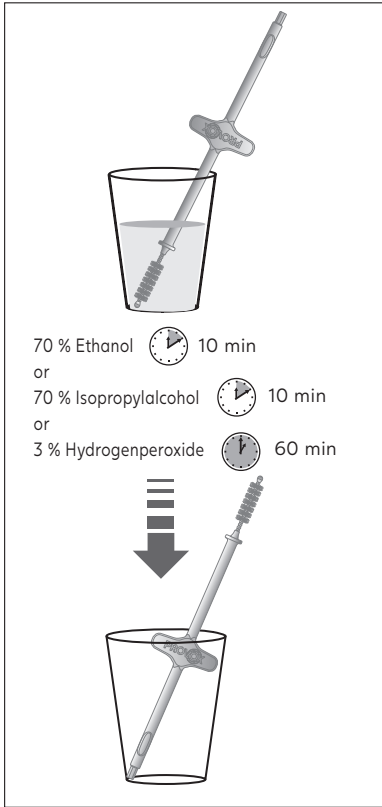


Fig. 10

Contents

EN - ENGLISH.....	99
DE - DEUTSCH.....	99
NL - NEDERLANDS.....	100
FR - FRANÇAIS.....	101
IT - ITALIANO.....	101
ES - ESPAÑOL.....	102
PT - PORTUGUÊS.....	103
SV - SVENSKA.....	103
DA - DANSK.....	104
NO - NORSK.....	105
FI - SUOMI.....	105
IS - ÍSLENSKA.....	106
HU - MAGYAR.....	107
PL - POLSKI.....	107
HR - HRVATSKI.....	108
EL - ΕΛΛΗΝΙΚΑ.....	109
TR - TÜRKÇE.....	109
RU - РУССКИЙ.....	110
JA - 日本語.....	111
KO - 한국어.....	111
ZHTW - 繁體中文.....	112
AR - العربية.....	113
ORDERING INFORMATION.....	114

ENGLISH

Intended Use

Provox Brush is a single patient use device intended for cleaning Provox Voice Prosthesis, for insertion of Provox Plug and Provox Vega Plug, for applying lubricant and anti-candida agents and for cleaning of fenestration holes on Provox LaryTubes. The product is intended for use by the patient.

Before use

Always inspect the Provox Brush (fig.3) to make sure that it is not broken or worn out.

Before each use, make sure that

- the protective tip is not cracked or loose.
- the bristles do not appear worn or are loose.
- the wires are not bent or broken.
- the entire handle is not cracked or broken and that the safety wings have not been removed.

Provox Brush may be used for up to 30 days (fig. 1). If the brush shows any signs of damage, it must be replaced earlier.

Cleaning and disinfection

Clean the Provox Brush after each use according to fig. 6-9 using drinking water.

Disinfect the Provox Brush (fig. 10) with one of the following methods:

- Ethanol 70% for 10 minutes
- Isopropylalcohol 70% for 10 minutes
- Hydrogenperoxide 3% for 60 minutes

Do not use the device until it is completely dry

Note: Always clean and disinfect before use.

Precaution

- The device is intended for single patient use only. Reuse in another patient may cause cross contamination.
- Do not clean or disinfect by any other method as this might cause product damage and injury.
- Do not bend the brush head wire this can damage the product and cause injury, it is only allowed to bend the blue shaft (fig. 2).

Disposal

Always follow medical practice and national requirements regarding biohazard when disposing of a used medical device.

Reporting

Please note that any serious incident that has occurred in relation to the device shall be reported to the manufacturer and the national authority of the country in which the user and/or patient resides.

DEUTSCH

Verwendungszweck

Die Bürste Provox Brush ist ein Produkt zum Einsatz durch einen einzigen Patienten und dient zur Reinigung der Stimmprothese Provox, zum Einsetzen der Stopfen Provox Plug und Provox Vega Plug, zum Auftrag von Gleit- und Anticandidamitteln sowie zur Reinigung der Öffnungen bei der Provox LaryTube. Dieses Produkt ist zur Anwendung durch den Patienten bestimmt.

Vor dem Gebrauch

Überprüfen Sie die Bürste Provox Brush (Abb. 3) stets, um sicherzustellen, dass sie nicht beschädigt oder abgenutzt ist.

Stellen Sie vor jedem Gebrauch sicher, dass

- der abgerundete Schutz an der Spitze weder Risse aufweist noch locker ist.
- die Borsten weder abgenutzt noch locker sind.
- die Drähte weder verbogen noch beschädigt sind.
- der gesamte Griff weder Risse aufweist noch beschädigt ist, und dass die Sicherheitsflügel nicht entfernt wurden.

Die Bürste Provox Brush kann bis zu 30 Tage lang verwendet werden (Abb. 1). Weist die Bürste Schäden auf, muss sie bereits früher ausgetauscht werden.

Reinigung und Desinfektion

Reinigen Sie die Bürste Provox Brush nach jedem Gebrauch mit Leitungswasser, wie in den Abbildungen 6–9 dargestellt.

Desinfizieren Sie die Bürste Provox Brush (Abb. 10) mithilfe einer der folgenden Methoden:

- 10 Minuten in Ethanol (70 %)
- 10 Minuten in Isopropylalkohol (70 %)
- 60 Minuten in Wasserstoffperoxid (3 %)

Das Produkt darf erst verwendet werden, wenn es vollständig trocken ist.

Hinweis: Die Bürste muss vor jedem Gebrauch gereinigt und desinfiziert werden.

Vorsichtsmaßnahmen

- Das Produkt darf nur von einem Patienten benutzt werden. Die Wiederverwendung bei einem anderen Patienten kann eine Kreuzkontamination verursachen.
- Benutzen Sie zur Reinigung oder Desinfektion keine andere Methode, da dies Schäden am Produkt verursachen oder zu Verletzungen führen könnte.
- Verbiegen Sie den Bürstenkopfdraht nicht, da dies das Produkt beschädigen und zu Verletzungen führen kann. Es ist nur erlaubt, den blauen Schaft zu verbiegen (Abb. 2).

Entsorgung

Bei der Entsorgung eines benutzten Medizinprodukts sind stets die medizinischen Praktiken und nationalen Vorschriften hinsichtlich biologischer Gefährdung zu befolgen.

Meldung

Bitte beachten Sie, dass alle schwerwiegenden Vorfälle, die sich im Zusammenhang mit dem Produkt ereignet haben, dem Hersteller oder Vertriebshändler sowie den nationalen Behörden des Landes gemeldet werden müssen, in dem der Benutzer und/oder der Patient ansässig ist.

NEDERLANDS

Beoogd gebruik

Provox Brush (borstel) is een hulpmiddel voor gebruik bij één patiënt bestemd voor het reinigen van Provox-stemprothesen, voor het inbrengen van Provox Plug en Provox Vega Plug, voor het aanbrengen van glijmiddel en anti-candida-middelen en voor het reinigen van de openingen voor fenestratie van Provox LaryTube. Dit product is bedoeld voor gebruik door de patiënt.

Vóór gebruik

Inspecteer altijd de Provox Brush (Provox-borstel) (afb. 3) om te controleren of deze niet kapot of versleten is.

Zorg voorafgaand aan elk gebruik dat:

- de beschermtip niet gebarsten is of loszit.
- de borstelharen er niet versleten uitzien of loszitten.
- de draden niet gebogen of gebroken zijn.
- de gehele handgreep niet gebarsten of gebroken is en of de veiligheidsvleugels niet verwijderd zijn.

Provox Brush mag maximaal 30 dagen worden gebruikt (afb. 1). Als de borstel tekenen van schade vertoont, moet deze eerder worden vervangen.

Reiniging en desinfectie

Reinig de Provox-borstel na elk gebruik volgens afb. 6-9 met kraanwater.

Desinfecteer de Provox-borstel (afb. 10) volgens één van de volgende methoden:

- Ethanol 70% gedurende 10 minuten.
- Isopropanol 70% gedurende 10 minuten.
- Waterstofperoxide 3% gedurende 60 minuten.

Gebruik het hulpmiddel pas weer als het helemaal droog is.

Opmerking: Altijd reinigen en desinfecteren voor gebruik.

Voorzorgsmaatregelen

- Het hulpmiddel is uitsluitend bestemd voor gebruik bij één patiënt. Hergebruik bij een andere patiënt kan kruisinfectie veroorzaken.
- Het hulpmiddel mag niet op andere wijze worden gereinigd of gedesinfecteerd, aangezien dit kan leiden tot schade aan het product.
- Buig de draad van de borstelkop niet, dit kan het product beschadigen en letsel veroorzaken. Alleen de blauwe schacht mag gebogen worden (afb. 2).

Afvoer

Volg bij het afvoeren van een gebruikt medisch hulpmiddel altijd de medische praktijk en nationale voorschriften met betrekking tot biologisch gevaar.

Meldingen

Let op: elk ernstig incident dat zich in verband met het hulpmiddel heeft voorgedaan, moet worden gemeld aan de fabrikant en de nationale autoriteit van het land waar de gebruiker en/of de patiënt woont.

Utilisation prévue

La brosse Provox Brush est un dispositif réservé à un seul patient, conçu pour nettoyer la prothèse phonatoire Provox, pour insérer les bouchons Provox Plug et Provox Vega Plug, pour appliquer des agents lubrifiants et anti-candida, et pour nettoyer les perforations des canules Provox LaryTube. Ce produit est destiné à une utilisation par le patient.

Avant l'utilisation

Toujours inspecter la Provox Brush (brosse) (fig. 3) pour s'assurer qu'elle n'est ni cassée ni usée.

Avant chaque utilisation, s'assurer que :

- l'embout protecteur n'est ni craquelé ni desserré ;
- les poils ne sont pas visiblement usés ou détachés ;
- les fils ne sont ni tordus ni cassés ;
- l'ensemble de la poignée n'est ni craquelé ni cassé et que les ailettes de sécurité n'ont pas été enlevées.

La brosse Provox Brush peut être utilisée jusqu'à 30 jours (fig. 1). Si la brosse présente des signes de dommage, elle doit être remplacée plus tôt.

Nettoyage et désinfection

Nettoyer la brosse Provox Brush après chaque utilisation comme indiqué sur les figures 6 à 9 avec de l'eau potable.

Désinfecter la brosse Provox Brush (fig. 10) en utilisant l'une des méthodes ci-dessous :

- Éthanol à 70 % pendant 10 minutes
- Alcool isopropylique à 70 % pendant 10 minutes
- Peroxyde d'hydrogène à 3 % pendant 60 minutes

Ne pas utiliser le dispositif avant qu'il ne soit complètement sec.

Remarque : toujours nettoyer et désinfecter le dispositif avant l'utilisation.

Mise en garde

- Le dispositif est destiné à une utilisation sur un seul patient. La réutilisation sur un autre patient peut entraîner une contamination croisée.
- Ne pas nettoyer ni désinfecter par toute autre méthode sous risque d'endommager le produit et d'occasionner des lésions.
- Ne pas plier le fil de la tête de la brosse, cela pourrait endommager le produit et provoquer des blessures. Seul le fût bleu peut être plié (fig. 2).

Élimination

Toujours respecter la pratique médicale et les directives nationales concernant les risques biologiques lorsque vous mettez au rebut un dispositif médical usagé.

Signalement

Noter que tout incident grave survenu en relation avec le dispositif doit être signalé au fabricant et à l'autorité nationale du pays dans lequel l'utilisateur / patient réside.

Uso previsto

Provox Brush (spazzolino) è un dispositivo monopaziente per la pulizia della protesi fonatoria Provox, per l'inserimento di Provox Plug (tappo) e Provox Vega Plug, per l'applicazione di lubrificante e agenti anticandida e per la pulizia dei fori di fenestrazione sulle cannule Provox LaryTube. Il prodotto è destinato all'uso da parte del paziente.

Prima dell'uso

Controllare sempre il Provox Brush (spazzolino Provox) (fig. 3) per accertarsi che non sia rotto o usurato.

Prima di ogni utilizzo, assicurarsi che

- la punta protettiva non sia incrinata o allentata.
- Le setole non appaiano usurate o allentate.
- I fili non siano piegati o rotti.
- l'intera impugnatura non sia incrinata o rotta e che le alette di sicurezza non siano state rimosse.

Provox Brush può essere utilizzato per un massimo di 30 giorni (fig. 1). Se lo spazzolino mostra segni di danneggiamento deve essere sostituito al più presto.

Pulizia e disinfezione

Pulire il Provox Brush dopo ogni utilizzo come illustrato nelle figg. 6-9 utilizzando acqua potabile.

Disinfettare il Provox Brush (fig. 10) con uno dei seguenti metodi:

- etanolo al 70% per 10 minuti;
- alcol isopropilico al 70% per 10 minuti;
- perossido di idrogeno (acqua ossigenata) al 3% per 60 minuti.

Non utilizzare il dispositivo prima che sia completamente asciutto

Nota: pulire e disinfettare sempre prima dell'uso.

Precauzioni

- Il dispositivo è destinato esclusivamente all'uso su un singolo paziente. Il riutilizzo tra pazienti può causare contaminazione incrociata.
- Non utilizzare altri metodi per la pulizia o la disinfezione perché questo potrebbe causare danni al prodotto e lesioni al paziente.
- Non piegare il filo della testina dello spazzolino per non danneggiare il prodotto e provocare lesioni; è consentito piegare solo il corpo blu (fig. 2).

Smaltimento

Attenersi sempre alle pratiche mediche e alle normative nazionali sui materiali biopercicolosi per lo smaltimento di un dispositivo medico usato.

Segnalazioni

Si prega di notare che qualsiasi incidente grave verificatosi in relazione al dispositivo deve essere segnalato al fabbricante e all'autorità nazionale del Paese in cui risiede l'utilizzatore e/o il paziente.

ESPAÑOL

Uso previsto

El Provox Brush (cepillo) es un dispositivo para uso en un solo paciente indicado para la limpieza de la prótesis de voz Provox, la inserción del Provox Plug (tapón) y el Provox Vega Plug (tapón), la aplicación de lubricantes y agentes anticándida y la limpieza de los orificios de fenestración de la Provox LaryTube (cánula). El producto está indicado para uso del paciente.

Antes del uso

Examine siempre el Provox Brush (cepillo) (fig. 3) para asegurarse de que no esté roto ni desgastado.

Antes de cada uso, asegúrese de que

- La punta protectora no esté agrietada ni floja.
- Las cerdas no tengan aspecto de gastadas ni estén flojas.
- Los alambres no estén doblados ni rotos.
- El mango no esté agrietado ni roto en ningún punto y las pestañas de seguridad no se hayan desprendido.

Provox Brush (cepillo) puede utilizarse durante un máximo de 30 días (fig. 1). Si el Brush (cepillo) muestra cualquier signo de daños, deberá sustituirse.

Limpieza y desinfección

Limpie el cepillo Provox después de cada uso como se indica en las figs. 6-9, con agua potable.

Desinfecte el cepillo Provox (fig. 10) mediante uno de los métodos siguientes:

- Etanol al 70 % durante 10 minutos
- Alcohol isopropílico al 70 % durante 10 minutos
- Agua oxigenada al 3 % durante 60 minutos

No utilice el dispositivo hasta que esté completamente seco.

Nota: limpie y desinfecte siempre antes de usar.

Precaución

- El dispositivo se ha diseñado para utilizarse en un solo paciente. Su reutilización en otro paciente podría provocar una contaminación cruzada.
- No limpie ni desinfecte el producto mediante ningún otro método, ya que esto podría dañarlo y producir lesiones.
- No doble el alambre del cabezal del Brush (cepillo), ya que puede dañar el producto y causar lesiones, sólo está permitido doblar el eje azul (fig. 2).

Eliminación

Al desechar un dispositivo médico usado, siga siempre la práctica médica y los requisitos nacionales sobre peligros biológicos.

Notificación

Tenga en cuenta que cualquier incidente grave que se haya producido en relación con el dispositivo se comunicará al fabricante y a la autoridad nacional del país en el que resida el usuario y/o el paciente.

Utilização prevista

A Provox Brush (escova) é um dispositivo para utilização num único paciente que se destina à limpeza da prótese fonatória Provox, para inserção do tampão Provox Plug e do tampão Provox Vega Plug, para aplicação de lubrificante e agentes anticandida, e para a limpeza de orifícios de fenestração em Provox LaryTube. O produto destina-se a ser utilizado pelo paciente.

Antes de utilizar

Inspecione sempre a Provox Brush (escova) (fig. 3) para se certificar de que não está partida nem apresenta desgaste.

Antes de cada utilização, certifique-se de que

- a ponta protetora não está rachada nem solta.
- as cerdas não aparentam desgaste nem estão soltas.
- os fios não estão dobrados nem partidos.
- a pega não está rachada nem partida e as asas de segurança não foram removidas.

A Provox Brush pode ser utilizada até 30 dias (fig. 1). Se a escova apresentar algum sinal de danos, deverá ser substituída mais cedo.

Limpeza e desinfecção

Limpe a escova Provox após cada utilização em conformidade com as indicações da fig. 6-9, utilizando água potável.

Desinfete a escova Provox (fig. 10) com um dos seguintes métodos:

- Etanol a 70% durante 10 minutos
- Alcool isopropílico a 70% durante 10 minutos
- Peróxido de hidrogénio a 3% durante 60 minutos

Não utilize o dispositivo enquanto não estiver completamente seco.

Nota: Limpe e desinfete sempre antes de utilizar.

Precaução

- O dispositivo destina-se exclusivamente à utilização num único paciente. A reutilização noutro paciente pode causar contaminação cruzada.
- Não limpe nem desinfete por qualquer outro método porque tal poderia danificar o produto e causar lesões no paciente.
- Não dobre o arame da cabeça da escova, pois isto pode danificar o produto e causar lesões. Apenas pode dobrar a haste azul (fig. 2).

Eliminação

Siga sempre as práticas médicas e os requisitos nacionais relativos a riscos biológicos ao eliminar um dispositivo médico usado.

Comunicação de incidentes

Tenha em atenção que qualquer incidente grave que tenha ocorrido, relacionado com o dispositivo, deve ser comunicado ao fabricante e à autoridade nacional do país onde o utilizador e/ou o paciente residem.

Avsedd användning

Provox Brush (rengöringsborste) är en produkt för enpatientsbruk som är avsedd för att rengöra Provox röstventil för att föra in Provox Plug (plugg) och Provox Vega Plug (plugg), applicera smörjmedel och medel mot jästsvamp samt rengöra fenestreringshål på Provox LaryTube. Produkten är avsedd att användas av patienten.

Före användning

Inspektera alltid Provox Brush (rengöringsborsten) (fig. 3) för att säkerställa att den inte är trasig eller utsliten.

Före användning ska du kontrollera att

- Skyddsspetsen inte är spräckt eller lös.
- Borsten inte verkar var utslitna och inte är lösa.
- Trådarna inte är böjda eller avbrutna.
- Hela handtaget inte är sprucket eller trasigt och att skyddsvingarna inte har avlägsnats.

Provox Brush (rengöringsborste) kan användas i upp till 30 dagar (fig. 1). Om borsten visar tecken på skador ska den bytas ut tidigare.

Rengöring och desinfektion

Rengör Provox-borsten efter varje användningstillfälle enligt fig. 6–9 med hjälp av dricksvatten.

Desinficera Provox-borsten (fig. 10) med någon av följande metoder:

- 70 % etanol under 10 minuter.
- 70 % isopropylalkohol under 10 minuter.
- 3 % väteperoxid under 60 minuter.

Använd inte produkten förrän den är helt torr

Obs: Rengör och desinficera alltid före användning.

Førsigtighedsåtgærd

- Produktet er endast avsedd för enpatientsbruk. Återanvändning för en annan patient kan orsaka korskontaminering.
- Rengör eller desinficera inte med någon annan metod eftersom det kan orsaka produkt- eller personskada.
- Böj inte borstshuvudtråden, detta kan skada produktet och orsaka personskador. Det är endast tillåtet att böja den blå axeln (fig. 2).

Avfallshantering

Följ alltid medicinsk praxis och nationella föreskrifter rörande biologiska risker vid kassering av en använd medicinsk anordning.

Rapportering

Observera att varje allvarlig incident som har inträffat i förhållande till produktet ska rapporteras till tillverkaren och den nationella myndigheten i det land där användaren och/eller patienten är bosatt.

DANSK

Tilsigtet anvendelse

Provox Brush (børste) er en anordning til brug af en enkelt patient beregnet til rengøring af Provox stemmeprotese, til indføring af Provox Plug (prop) og Provox Vega Plug (prop), til påføring af smøremiddel og anti-candidaagenter og til rengøring af fenestrationshuller på Provox LaryTube. Produktet er beregnet til brug af patienten.

Før brug

Inspicer altid Provox Brush (børste) (fig. 3) for at sikre, at den ikke er i stykker eller slidt.

Kontrollér før hver brug, at

- Den beskyttende spids ikke er revnet eller løs.
- Børstehårene ikke er slidte eller løse.
- Wirene ikke er bøjedede eller i stykker.
- Hele håndtaget ikke er revnet eller i stykker, og at sikkerhedsvingerne ikke er blevet fjernet.

Provox Brush (børste) kan anvendes i op til 30 dage (fig. 1). Hvis børsten viser tegn på skader, skal den udskiftes tidligere.

Rengøring og desinficering

Rengør Provox-børsten efter hver brug i henhold til fig. 6-9 med drikkevand.

Desinficer Provox-børsten (fig. 10) med én af følgende måder:

- Ethanol 70 % i 10 minutter
- Isopropylalkohol 70 % i 10 minutter
- Brintoverilte 3 % i 60 minutter

Anordningen må ikke anvendes, før den er fuldstændig tør.

Bemærk: Rengør og desinficer altid før brug.

Forholdsregel

- Denne anordning er kun til brug til enkelt patient. Genbrug i forbindelse med en anden patient kan forårsage krydskontamination.
- Rengøring eller desinficering må ikke foretages på anden måde, da dette kan forårsage produktbeskadigelse og patientskade.
- Børstehovedtråden må ikke bøjes, da det kan beskadige produktet og forårsage personskade. Det er kun tilladt at bøje det blå skaft (fig. 2).

Bortskaffelse

Bortskaffelse af en brugt medicinsk anordning skal altid foretages i henhold til medicinsk praksis og nationale krav vedrørende biologisk risiko.

Rapportering

Bemærk, at enhver alvorlig hændelse, der er opstået i relation til enheden, skal indberettes til fabrikanten og den nationale myndighed i det land, hvor brugeren og/eller patienten opholder sig.

Tiltenkt bruk

Provox Brush (børste) er en enhet til bruk på én pasient og er beregnet til rengjøring av Provox taleprotese, innsetting av Provox Plug (plugg) og Provox Vega Plug (plugg), påføring av smøremiddel og anti-candida-middel og til rengjøring av fenestrasjonshull på Provox LaryTube. Produktet er beregnet til bruk på én pasient.

Før bruk

Kontroller alltid Provox Brush (Provox-børsten) (fig. 3) for å være sikker på at den ikke er ødelagt eller utslitt.

Før hver bruk må du kontrollere følgende:

- at beskyttelsestuppen ikke er sprukket eller løs
- at bustene ikke er slitt eller løse
- at ledningene ikke er bøyd eller ødelagt
- at hele håndtaket ikke er sprukket eller ødelagt, og at sikkerhetsvingene ikke er fjernet

Provox Brush kan brukes i opptil 30 dager (fig. 1). Hvis børsten viser tegn til skade, må den byttes ut tidligere.

Rengjøring og desinfisering

Rengjør Provox-børsten etter hver bruk i henhold til fig. 6–9 ved bruk av vann av drikkekaritet.

Desinfiser Provox-børsten (fig. 10) med en av de følgende metodene:

- etanol 70 % i 10 minutter
 - isopropylalkohol 70 % i 10 minutter
 - hydrogenperoksid 3 % i 60 minutter
- Ikke bruk anordningen før den er helt tørr.

Merk: Må alltid rengjøres og desinfiseres før bruk.

Forholdsregler

- Anordningen er kun til bruk på én pasient. Gjenbruk på en annen pasient kan føre til krysskontaminasjon.
- Ikke rengjør eller desinfiser med noen annen metode, da dette kan forårsake produktskade og personskade.
- Metalltråden på børstehodet må ikke bøyes, dette kan skade produktet og forårsake personskader, det er kun tillatt å bøye det blå skaftet (fig. 2).

Avhending

Følg alltid medisinsk praksis og nasjonale krav angående biologiske farer når en brukt medisinsk anordning skal avhendes.

Rapportering

Vær oppmerksom på at enhver alvorlig hendelse som har oppstått i forbindelse med enheten, skal rapporteres til produsenten og nasjonale myndigheter i landet der brukeren og/eller pasienten bor.

Käyttötarkoitus

Provox Brush (Provox-harja) on potilaskohtaiseen käyttöön tarkoitettu laite Provox-ääniproteesin puhdistamiseen, Provox Plug- ja Provox Vega Plug -tulpan asettamiseen, voiteluaineen ja hiivasienen vasta-aineen levittämiseen sekä Provox LaryTube -putken fenestrintireikiön puhdistamiseen. Tuote on tarkoitettu potilaan käyttöön.

Ennen käyttöä

Tarkista aina Provox Brush (Provox-harja) (kuva 3) ja varmista, että se ei ole rikki tai liian kulunut.

Varmista ennen jokaista käyttökertaa, että

- suojakärki ei ole murtunut tai löysällä
- harjakset eivät näytä kuluneilta tai eivät ole löysällä
- langat eivät ole taipuneet tai rikkoutuneet
- koko kahva ei ole murtunut tai rikki ja että turvasiivekkeitä ei ole poistettu.

Provox Brush -harjaa voidaan käyttää enintään 30 päivän ajan (kuva 1). Jos harjassa näkyy mitään vaurioiden merkkejä, se täytyy vaihtaa uuteen aikaisemmin.

Puhdistus ja desinfointi

Puhdista Provox-harja jokaisen käyttökerran jälkeen kuvan 6–9 mukaisesti juomavedellä.

Desinfioi Provox-harja (kuva 10) jollain seuraavista menetelmistä:

- 70-prosenttisellä etanolilla 10 minuutin ajan.
 - 70-prosenttisellä isopropanolilla (isopropyylialkoholi) 10 minuutin ajan.
 - 3-prosenttisellä vetyperoksidilla 60 minuutin ajan.
- Laitetta ei saa käyttää, ennen kuin se on täysin kuiva.

Huomaa: puhdista ja desinfioi aina ennen käyttöä.

Varoitus

- Laite on tarkoitettu käytettäväksi vain yhdelle potilaalle. Uudelleenkäyttö toisella potilaalla saattaa aiheuttaa ristikontaminaation.
- Laitetta ei saa puhdistaa eikä desinfioida millään muulla menetelmällä, jottei tuote vahingoitu tai potilas loukkaannu.
- Harjapään metallilankaa ei saa taivuttaa, sillä se voi vaurioittaa tuotetta ja aiheuttaa potilaan loukkaantumisen. Vain sinistä vartta saa taivuttaa (kuva 2).

Hävittäminen

Noudata aina lääketieteellistä käytäntöä ja biovaarallisia aineita koskevia kansallisia vaatimuksia lääkinnällistä laitetta hävitettäessä.

Ilmoittaminen

Huomaa, että kaikki laitetta koskevat, vakavat tapahtumat ilmoitetaan valmistajalle ja käyttäjän ja/tai potilaan asuinmaan kansalliselle viranomaiselle.

ÍSLENSKA

Fyrirhuguð notkun

Provox Brush burstinn er ætlaður við eftirfarandi aðstæður: Til að hreinsa Provox talventla, til innsetningar Provox Plug og Provox Vega Plug, til að bera á smurefni og efni gegn vexti hvítsveppa, og til að hreinsa göt á Provox LaryTube búnaði. Hver bursti er aðeins ætlaður fyrir einn sjúkling. Varan er ætluð til notkunar af sjúklingi.

Fyrir notkun

Skoðið ávallt Provox Brush (burstann) (mynd 3) til að ganga úr skugga um að hann sé ekki brotinn eða slitinn.

Fyrir hverja notkun skal tryggja að

- hlífðaroddurinn sé ekki sprunginn eða laus.
- burstahárin séu ekki slitin eða laus.
- virarnir séu ekki bognir eða brotnir.
- allt handfangið sé hvorki sprungið né brotið og að öryggisflíparnir hafi ekki verið fjarlægðir.

Provox Brush burstar má nota í allt að 30 daga (mynd 1). Ef burstann sýnir merki um skemmdir verður að skipta um hann fyrr.

Þrif og sótthreinsun

Hreinsið Provox burstann eftir hverja notkun með neysluvatni samkvæmt leiðbeiningunum á myndum 6–9.

Sótthreinsið Provox burstann (mynd 10) með einni af eftirfarandi aðferðum:

- 70% etanóli í 10 mínútur
- 70% ísóprópýlalkóhóli í 10 mínútur
- 3% vetnisperoxíði í 60 mínútur

Notið ekki burstann fyrr en hann hefur þornað að fullu.

Athugið: Hreinsið burstann og sótthreinsið fyrir hverja notkun.

Varúð

- Burstinn er eingöngu ætlaður til notkunar fyrir einn sjúkling. Ef hann er notaður hjá öðrum sjúklingi getur það valdið vixlmengun.
- Ekki má hreinsa eða sótthreinsa burstann með neinum öðrum hætti þar sem það getur valdið skemmdum á vörinni og meiðslum hjá sjúklingi.
- Ekki beygja burstahausvirinn þetta getur skemmt vöruna og valdið meiðslum, það er aðeins leyfilegt að beygja bláa skaftið (mynd 2).

Förgun

Ávallt skal fylgja heilbrigðiskröfum sem og landsbundnum kröfum varðandi lífsýnahættu við förgun á notuðum lækningatækjum.

Tilkynningaskylda

Vinsamlega athugið að tilkynna skal öll alvarleg atvik sem upp koma í tengslum við notkun tækisins til framleiðanda, sem og til yfirvalda í því landi þar sem notandi og/eða sjúklingur hefur búsetu.

Rendeltetésszer használat

A Provox Brush (kefe) egyetlen beteg általi használatra készült, és a Provox hangprotézis tisztítására, a Provox Plug és Provox Vega Plug dugók behelyezésére, a kenőanyagok, a Candida elleni szerek felvitelére, valamint a Provox LaryTube-on található perforált lyukak tisztítására szolgál. A termék egy beteg általi használatra való.

Használat előtt

Mindig vizsgálja meg a Provox Brush (kefe) eszközt (3. ábra), és győződjön meg arról, hogy nem törött vagy használatot el.

Minden használat előtt ellenőrizze, hogy

- A védőhegy nem repedt vagy laza.
- A sörték nem tűnnek kopottnak vagy lazának.
- A drótok nincsenek meghajolva vagy eltörve.
- A teljes fogantyú nincs megrepedve vagy eltörve, és a biztonsági szárnyak a helyükön vannak.

A Provox Brush kefe legfeljebb 30 napig használható (1. ábra). Ha a kefe bármilyen károsodás jelét mutatja, korábban kell lecserélni.

Tisztítás és fertőtlenítés

Minden használat után tisztítsa meg a Provox kefét ivóvízzel a 6–9. ábra szerint.

Fertőtlenítse a Provox kefét (10. ábra) a következő módszerek egyikével:

- 70% etanol, 10 perc
- 70% izopropil-alkohol, 10 perc
- 3% hidrogén-peroxid, 60 perc

Ne használja az eszközt, amíg teljesen meg nem szárad

Megjegyzés: Használat előtt mindig tisztítsa meg és fertőtlenítse le.

Övintézkedés

- Az eszköz kizárólag egy beteg általi használatra szolgál. Másik betegnél való újrafelhasználás keresztszennyeződést okozhat.
- Ne végezze az eszköz tisztítását és fertőtlenítését eltérő módszerrel, mert ez a termék károsodását és személyi sérülést okozhat.
- Ne hajlítsa meg a kefeféle huzalját, mert ez károsíthatja a terméket és sérülést okozhat, csak a kék szárat szabad meghajlítni (2. ábra).

Hulladékba helyezés

Használt orvosi eszközök hulladékba helyezésénél mindig kövesse a biológiailag veszélyes hulladékok kezelésére vonatkozó orvosi gyakorlatot és nemzeti követelményeket.

Jelentési kötelezettség

Felhívjuk a figyelmét, hogy az eszközt érintő bármilyen súlyos balesetet jelenteni kell a gyártónak és a felhasználó/beteg lakóhelye szerint illetékes ország hatóságának.

Przeznaczenie

Szczoteczka Provox Brush jest urządzeniem przeznaczonym do użytku przez jednego pacjenta, służącym do czyszczenia protezy głosowej Provox, wprowadzania zatyczek Provox Plug i Provox Vega Plug, nakładania środków poślizgowych i przeciwgrzybiczych oraz do czyszczenia otworów w rurkach Provox LaryTube. Produkt jest przeznaczony do użytku przez pacjenta.

Przed użyciem

Zawsze obejrzeć szczoteczkę Provox Brush (rys. 3), aby upewnić się, że nie jest złamana lub zużyta.

Przed każdym użyciem należy upewnić się, że

- ochronna końcówka nie jest pęknięta ani poluzowana,
- włosie nie jest zużyte ani poluzowane,
- przewody nie są zgięte ani złamane,
- cały uchwyt nie ma pęknięć ani złamań, a skrzydelka ochronne pozostają na miejscu.

Szczoteczka Provox Brush może być stosowana przez maksymalnie 30 dni (rys. 1). Jeżeli szczoteczka wykazuje jakiegokolwiek oznaki uszkodzenia, należy ją wymienić wcześniej.

Czyszczenie i dezynfekcja

Czyścić szczoteczkę Provox Brush po każdym użyciu, zgodnie z rys. 6–9 przy użyciu wody pitnej.

Odkładać szczoteczkę Provox Brush (rys. 10) za pomocą jednej z poniższych metod:

- w etanolu o stężeniu 70% przez 10 minut
- w alkoholu izopropylowym o stężeniu 70% przez 10 minut
- w nadtlenku wodoru o stężeniu 3% przez 60 minut

Nie używać urządzenia, dopóki nie będzie całkowicie suche

Uwaga: Przed użyciem należy zawsze czyścić i dezynfekować.

Środki ostrożności

- Urządzenie jest przeznaczone do stosowania wyłącznie u jednego pacjenta. Ponowne użycie u innego pacjenta może spowodować zakażenie krzyżowe.
- Nie czyścić i nie dezynfekować innymi metodami, ponieważ może to spowodować uszkodzenie produktu i narazić zdrowie pacjenta.
- Nie wolno zginać drutu na główce szczoteczki, ponieważ może to spowodować uszkodzenie produktu i obrażenia ciała. Dozwolone jest jedynie zginanie niebieskiego trzonka (rys. 2).

Usuwanie

Przy usuwaniu używanego wyrobu medycznego należy zawsze postępować zgodnie z praktyką medyczną oraz krajowymi wymogami dotyczącymi zagrożeń biologicznych.

Zgłaszanie

W celu uzyskania międzynarodowej gwarancji należy skontaktować się z lokalnym dystrybutorem.

HRVATSKI

Namjena

Četkica Provox Brush jednokratan je instrument za čišćenje govorne proteze Provox, umetanje čepova Provox Plug i Provox Vega Plug, nanošenje lubrikanta i agensa protiv kandidate te čišćenje fenestracijskih otvora na kanilama Provox LaryTube. Proizvod je osmišljen da ga koriste pacijenti.

Prije upotrebe

Uvijek pregledajte Provox Brush (četkicu Provox) (sl. 3) da biste bili sigurni da nije slomljena ili istrošena.

Prije svake upotrebe, budite sigurni da

- zaštitni vrh nije slomljen ili labav,
- čekinje ne izgledaju istrošeno ili da nisu labave,
- žice nisu izvijene ili slomljene,
- cijela ručka nije napuknuta ili slomljena i da sigurnosna krila nisu uklonjena.

Provox Brush (četkica) može se upotrebljavati do 30 dana (sl. 1). Ako se na četkici vide znakovi oštećenja, potrebno ju je zamijeniti i prije.

Čišćenje i dezinfekcija

Čistite četkicu Provox pitkom vodom nakon svake upotrebe prema sl. 6 – 9.

Dezinficirajte četkicu Provox (sl. 10) jednom od sljedećih metoda:

- etanol od 70 % na 10 minuta,
 - izopropanol od 70 % na 10 minuta,
 - vodikov peroksid od 3 % na 60 minuta.
- Nemojte upotrebljavati uređaj dok se potpuno ne osuši.

Napomena: uvijek očistite i dezinficirajte prije upotrebe.

Mjera opreza

- Proizvod je namijenjen upotrebi kod samo jednog bolesnika. Ponovna upotreba proizvoda na drugom bolesniku može dovesti do međusobne kontaminacije.
- Nemojte čistiti ili dezinficirati bilo kojom drugom metodom jer time možete uzrokovati oštećenje proizvoda ili ozljedu pacijenta.
- Nemojte savijati žicu na glavi četkice jer to može oštetiti proizvod i uzrokovati ozljede. Samo se plava osovina smije savijati (sl. 2).

Odlaganje u otpad

Uvijek slijedite medicinsku praksu i nacionalne zahtjeve glede biološkog otpada kad odlažete korištene medicinske uređaje.

Prijava nezgoda

Sve ozbiljne incidente povezane s uređajem potrebno je prijaviti proizvođaču i nacionalnom tijelu u državi u kojoj se korisnik i/ili bolesnik nalazi.

Προβλεπόμενη χρήση

Το Provox Brush (Βούρτσα Provox) είναι μια συσκευή για χρήση σε έναν μόνο ασθενή και προορίζεται για τον καθαρισμό της φωνητικής πρόθεσης Provox, για την εισαγωγή του βύσματος Provox Plug και του βύσματος Provox Vega Plug, για την εφαρμογή λιπαντικού και παραγόντων anti-candida, καθώς και για τον καθαρισμό οπών θυριδοποίησης στα Provox LaryTube. Το προϊόν προορίζεται για χρήση από τον ασθενή.

Πριν από τη χρήση

Επιθεωρείτε πάντα τη Provox Brush (βούρτσα Provox) (εικ. 2) για να βεβαιωθείτε ότι δεν έχει σπάσει ή φθαρεί.

Πριν από κάθε χρήση, να βεβαιώνετε ότι:

- Το προστατευτικό άκρο δεν έχει ραγίσει ή χαλαρώσει.
- Οι τρίχες δεν φαίνεται να έχουν φθαρεί ή χαλαρώσει.
- Τα σύρματα δεν έχουν λυγίσει ή σπάσει.
- Ολόκληρη η λαβή δεν έχει ραγίσει ή σπάσει και ότι τα πτερύγια ασφαλείας δεν έχουν αφαιρεθεί.

Η Provox Brush (Βούρτσα Provox) μπορεί να χρησιμοποιηθεί για έως και 30 ημέρες (εικ. 1). Εάν η βούρτσα παρουσιάζει σημάδια φθοράς, πρέπει να αντικαθίσταται νωρίτερα.

Καθαρισμός και απολύμανση

Καθαρίζετε τη βούρτσα Provox μετά από κάθε χρήση σύμφωνα με τις εικ. 4–7, χρησιμοποιώντας πόσιμο νερό βρύσης.

Απολυμαίνετε τη βούρτσα Provox (εικ. 8) ακολουθώντας μία από τις εξής μεθόδους:

- Αιθανόλη 70% για 10 λεπτά
 - Ισοπροπυλική αλκοόλη 70% για 10 λεπτά
 - Υπεροξειδίο του υδρογόνου 3% για 60 λεπτά
- Μην χρησιμοποιείτε τη συσκευή παρά μόνο όταν στεγνώσει εντελώς.

Σημείωση: Να καθαρίζετε και να απολυμαίνετε πάντα τη συσκευή πριν από τη χρήση.

Προφύλαξη

- Η συσκευή προορίζεται για χρήση από έναν μόνο ασθενή. Η επαναχρησιμοποίηση σε άλλον ασθενή μπορεί να προκαλέσει διασπασμένη μόλυνση.
- Μην καθαρίζετε και μην απολυμαίνετε με οποιαδήποτε άλλη μέθοδο, καθώς αυτό μπορεί να προκαλέσει ζημιά στο προϊόν και τραυματισμό.
- Μη λυγίζετε το σύρμα της κεφαλής της βούρτσας, καθώς μπορεί να προκληθεί ζημιά στο προϊόν και τραυματισμός. Επιτρέπεται να λυγίζετε μόνο τον μπλε άξονα (εικ. 2).

Απορριψη

Να ακολουθείτε πάντοτε τις κατάλληλες ιατρικές πρακτικές και τις εθνικές απαιτήσεις περι βιολογικών κινδύνων όταν απορρίπτετε χρησιμοποιημένες ιατρικές συσκευές.

Αναφορά

Επισημαίνεται ότι οποιοδήποτε σοβαρό συμβάν που έχει προκύψει σε σχέση με τη συσκευή πρέπει να αναφέρεται στον κατασκευαστή και την εθνική αρχή της χώρας στην οποία διαμένει ο χρήστης ή/και ο ασθενής.

Kullanım Amacı

Provox Brush (Fırça); Provox Ses Protezini temizlemek, Provox Plug (Tıkaç) ve Provox Vega Plug'ı (Tıkaç) yerleştirmek, kayganlaştırıcı ve kandida önleyici maddeler uygulamak ve Provox LaryTube üzerinde bulunan fenestrasyon deliklerini temizlemek için tasarlanmıştır, tek hastada kullanıma uygun bir cihazdır. Ürünün hasta tarafından kullanılması amaçlanmıştır.

Kullanmadan önce

Kırılmadığından veya aşınmadığından emin olmak için Provox Brush'ı (Provox Fırça) (şekil 3) daima inceleyin.

Her kullanımdan önce şunlardan emin olun

- koruyucu uç çatlak veya gevşek değil.
- kıllar aşınmış veya gevşemiş görünmüyor.
- teller kıvrık veya kırık değil.
- sapın tamamında çatlak veya kırık yok ve güvenlik kanatları çıkarılmamış.

Provox Brush 30 güne kadar kullanılabilir (şekil 1). Fırçada herhangi bir hasar izi görülürse cihaz daha önce değiştirilmelidir.

Temizleme ve dezenfeksiyon

Her kullanımdan sonra Provox Fırça'yı içme suyu kullanarak şekil 6-9'de gösterildiği gibi temizleyin.

Provox Fırça'yı aşağıdaki yöntemlerden birini kullanarak dezenfekte edin (şekil 10):

- %70'lik etanol ile 10 dakika
 - %70'lik izopropilalkol ile 10 dakika
 - %3'lük hidrojen peroksit ile 60 dakika
- Cihazı tamamen kurumadan kullanmayın

Not: Kullanmadan önce daima temizleyin ve dezenfekte edin.

Önlem

- Cihaz sadece tek hastada kullanılmak üzere tasarlanmıştır. Başka bir hastada tekrar kullanılması çapraz kontaminasyona yol açabilir.
- Ürünün hasar görmesine ve hastanın yaralanmasına yol açabileceği için temizlik veya dezenfeksiyon amacıyla başka bir yöntem kullanmayın.
- Fırça başlığı telini bükmeyin, bu ürüne zarar verip yaralanmaya neden olabilir, sadece mavi şaftın bükülmesine izin verilir (şek. 2).

Atma

Kullanılmış bir tıbbi cihazı atarken biyolojik açıdan tehlikeli maddeler ile ilgili tıbbi uygulamalara ve ulusal koşullara daima uyun.

İhbar

Cihazla ilgili meydana gelen herhangi bir ciddi olay üreticiye ve kullanıcının ve/veya hastanın ikamet ettiği ülkedeki ulusal yetkiliye bildirilmelidir.

РУССКИЙ

Назначение

Щетка Provox Brush представляет собой устройство для индивидуального применения пациентом, предназначенное для очистки голосового протока Provox, для установки заглушек Provox Plug и Provox Vega Plug, для нанесения смазочного средства и противогрибковых средств, а также для очистки отверстий в Provox LargeTube. Изделие предназначено для использования пациентом.

Перед использованием

Всегда проверяйте Provox Brush (щетка) (рис. 3), чтобы убедиться в отсутствии повреждений или что изделие не пришло в негодность.

Перед использованием проверьте следующее:

- защитная насадка не треснула и не расшаталась;
- щетинки не выглядят изношенными и расшатанными;
- проволочные стержни не согнуты и не сломаны;
- вся ручка не треснута и не сломана и защитные крылья не удалены.

Щеткой Provox Brush можно пользоваться до 30 дней (рис. 1). Если щетка имеет признаки повреждения, ее необходимо заменить раньше.

Очистка и дезинфекция

Очищайте Provox Brush чистой питьевой водой после каждого применения согласно рис. 6-9.

Дезинфицируйте Provox Brush (рис. 10) одним из следующих способов:

- 70% р-р этанола в течение 10 минут;
- 70% р-р изопропилового спирта в течение 10 минут;
- 3% р-р перекиси водорода в течение 60 минут.

Не используйте устройство, пока он полностью не высохнет.

Примечание. Перед использованием обязательно производите очистку и дезинфекцию устройства.

Меры предосторожности

- Устройство предназначено исключительно для применения у одного пациента. Повторное использование для другого пациента может стать причиной перекрестного инфицирования.
- Не очищайте и не дезинфицируйте изделие другими методами, так как это может привести к повреждению изделия и травмам.
- Не сгибайте проволочный стержень головки щетки. Это может повредить изделие и привести к травме. Разрешается сгибать только синий стержень (рис. 2).

Утилизация

Всегда следуйте медицинской практике и национальным требованиям в отношении биологической опасности при утилизации использованного медицинского устройства.

Уведомление

Обратите внимание, что о любых серьезных происшествиях с этим устройством необходимо сообщать производителю и в орган государственной власти той страны, в которой проживает пользователь и/или пациент.

日本語

使用目的

Provox Brush (プロヴォックス ブラシ) は、単一患者のみに使用する器具で、プロヴォックス ボイスプロステシスの洗浄や、Provox Plug (プロヴォックス プラグ) および Provox Vega Plug (プロヴォックス Vega プラグ) の挿入、潤滑剤および抗カンジダ剤の塗布、および Provox LaryTube (プロヴォックス ラリチューブ) の開窓孔の洗浄を目的とした製品です。本製品は患者本人による使用を目的としています。

使用前

使用前に必ずプロヴォックス ブラシを点検し、破損や摩耗がないかを確認してください。(図3参照)。

毎回使用前に以下を確認してください。

- 保護チップが欠けていないか、グラグラして緩んでいないか。
- ブラシの刷毛部分が摩耗していないか、グラグラして緩んでいないか。
- ワイヤーが曲がっていないか、破損していないか。
- 柄の部分全体的に欠けや破損がないか、破損がないか、および安全ウィングが外れていないか。

プロヴォックス ブラシは、最大30日間使用することができます。(図1参照) ブラシに損傷の兆候が見られる場合は、早めに交換する必要があります。

洗浄および消毒

プロヴォックス ブラシは毎回使用後に図6から図9を参照し、飲料水を使用して洗浄してください。

プロヴォックス ブラシの消毒は、以下のいずれかの方法で行ってください。(図10参照)

- 70%エタノールに10分間浸す。
- 70%イソプロピルアルコールに10分間浸す。
- 3%過酸化水素に60分間浸す。

本製品が完全に乾燥するまで使用しないでください。

注意：使用前に必ず洗浄および消毒を行ってください。

使用上の注意

- 本製品は単一患者のみに使用する製品です。他の患者に再使用すると、交差汚染が生じるおそれがあります。
- 指定以外の方法で洗浄または消毒を行わないでください。製品の損傷および患者に傷害を与える可能性があります。
- ブラシヘッドのワイヤー部分を曲げないでください。製品の損傷やけがの原因となります。青い柄の部分のみ曲げることができます。(図2参照)

廃棄方法

使用済みの医療機器を廃棄する際には、常に国で定められた基準および医療機器の廃棄の基準に従ってください。

報告

製品に関連して発生した重大な事故はすべて、使用者および / または患者が居住している国の製造業者および国家当局に報告されますので、ご了承ください。

한국어

사용목적

Provox Brush(브러시)는 Provox 인공성대 세척, Provox Plug (플러그) 및 Provox Vega Plug(플러그) 삽입, 윤활제 및 항 칸디다 시약 도포 및 Provox LaryTube의 천공 구멍 청소를 위한 환자 3인용 장치입니다. 이 제품은 환자가 사용하도록 제작되었습니다.

사용전

Provox Brush(프로보क्स 브러시)(그림 3)를 항상 검사하여 파손되거나 마모된 부분이 없는지 확인하십시오.

매번 사용하기 전에 다음을 확인하십시오.

- 보호 팁에 금이 가거나 느슨하지 않아야 합니다.
- 강모가 마모되거나 느슨한 것처럼 보이지 않아야 합니다.
- 와이어가 구부러지거나 부러지지 않아야 합니다.
- 전체 손잡이에 금이 가거나 파손된 부분이 없고 안전 날개가 제거되지 않아야 합니다.

Provox Brush는 최대 30일 동안 사용할 수 있습니다(그림 1). 술에 손상 징후가 보이면 더 일찍 교체해야 합니다.

세척 및 소독

매번 사용할 때마다 그림 6-9과 같이 음용수로 Provox 브러시를 세척하십시오.

다음 방법 중 하나를 사용하여 Provox 브러시(그림 8)를 소독하십시오.

- 10분 동안 에탄올 70%로
 - 10분 동안 이소프로필알코올 70%로
 - 60분 동안 과산화수소 3%로
- 완전히 건조 될 때까지, 장치를 사용하지 마십시오.

참고: 사용하기 전에 항상 세척하고 소독하십시오.

주의 사항

- 동일환자만 사용하도록 제작된 장치입니다. 다른 환자에 재사용하면 교차 오염이 발생할 수 있습니다.
- 다른 방법으로 세척하거나 소독하지 마십시오. 제품이 훼손되거나 손상을 입을 수 있습니다.
- 술 헤드 와이어를 구부리지 마십시오. 제품이 손상되고 부상을 입을 수 있습니다. 파란색 샤프트만 구부릴 수 있습니다(그림 2).

폐기

사용한 의료 기기를 폐기할 때에는 항상 생물학적 위험물질에 관한 의료 기준과 국가 요건을 따르십시오.

보고

장치와 관련하여 발생한 심각한 사고는 제조업체와 사용자 및/또는 환자가 거주하는 국가의 국가기관에 신고해야 합니다.

繁體中文

預定用途

Provox Brush (Provox 刷子) 是供個人患者使用的裝置，用途包括清潔 Provox 人工發聲瓣、插入 Provox Plug (Provox 塞子) 和 Provox Vega Plug (Provox Vega 塞子)、使用潤滑劑和抗念珠菌藥物，以及清潔 Provox LaryTube 開孔。本產品專供患者使用。

使用前

請務必檢查 Provox Brush (Provox 刷子) (圖 3)，確保沒有損壞或磨損。

每次使用前，請確保

- 保護尖端沒有裂痕或鬆脫。
- 刷毛沒有出現磨損或鬆動。
- 金屬線沒有彎曲或斷裂。
- 整個把手沒有破裂或受損，安全翼也沒有遭到拆除。

Provox Brush 最多可使用 30 天 (圖 1)。如果刷子出現任何損壞跡象，必須提前更換。

清洗和消毒

每次使用後請依照圖 6 至 9 使用飲用水清潔 Provox Brush。

使用以下其中一種方法對 Provox Brush 進行消毒 (圖 10)：

- 用 70% 乙醇浸洗 10 分鐘
 - 用 70% 異丙醇浸洗 10 分鐘
 - 用 3% 過氧化氫浸洗 60 分鐘
- 在裝置完全乾燥以前不要使用。

註：使用前請務必清洗和消毒。

預防措施

- 此裝置僅供單一患者使用。重複使用在其他患者身上可能引起交叉感染。
- 請勿採用其他方法進行清洗和消毒，否則可能導致產品損壞或患者受傷。
- 切勿彎曲刷頭金屬線，否則可能會損壞產品並造成傷害，只可彎曲藍色軸身 (圖 2)。

丟棄

拋棄使用過之醫療裝置時，請遵守生物危害相關的醫療實踐及國家規範。

回報

請注意，與裝置相關的任何嚴重事件均應回報給使用者和 / 患者所在國家 / 地區的製造商和政府當局。

الاستخدام المخصص

إن فرشاة Provox Brush عبارة عن جهاز يُستخدم لمريض واحد تم تصميمه لتنظيف عضو الصوت الاصطناعي Provox، ولإدخال سدادة Provox Plug و Provox Vega Plug. ولوضع المُرْتَقِ والعوامل المضادة للفطريات المبيضة والتنظيف فتحات النفوذة في أنابيب Provox LaryTube. تم تصميم المنتج بحيث يستخدمه المريض.

قبل الاستخدام

افحص دائماً Provox Brush (فرشاة Provox) (الشكل 3) للتأكد من أنها غير مكسورة أو مهترئة.

قبل كل استخدام، تأكد من أن

- الطرف الواقي غير مشقق أو مرتخ.
- الشعيرات لا تبدو مهترئة أو مرتخية.
- الأسلاك غير مثنية أو مكسورة.
- المقبض بأكمله غير مشقق أو مكسور وأن أجنحة السلامة لم تُزَع.

يمكن استخدام فرشاة Provox Brush لمدة تصل إلى 30 يوماً (الشكل 1). إذا بدت على الفرشاة أي علامات تلف، يجب استبدالها قبل تلك المدة.

التنظيف والتعقيم

نظف فرشاة Provox بعد كل استخدام وفقاً للشكل 6-9 باستخدام ماء الشرب.

عقم فرشاة Provox (الشكل 10) بوحدة من الوسائل التالية:

- إيثانول بتركيز 70% لمدة 10 دقائق
 - كحول أيزوبروبيلي بتركيز 70% لمدة 10 دقائق
 - بيروكسيد الهيدروجين بتركيز 3% لمدة 60 دقيقة
- لا تستخدم الجهاز حتى يجف تماماً.

ملاحظة: نظف الجهاز وعقمه دائماً قبل الاستخدام.

احتياطات

- الجهاز مصمم للاستعمال من قِبَل مريض واحد فقط. قد يؤدي تكرار الاستخدام مع مريض آخر إلى التلوث بالاختلاط.
- لا تنظف الجهاز أو تعقمه بأي وسيلة أخرى، حيث قد يؤدي هذا إلى تضرر المنتج والتعرض للإصابة.
- تجنب نثني سلك رأس الفرشاة، فقد يتسبب هذا في إتلاف المنتج والتسبب في حدوث إصابة، ويُسمح فقط بثني العمود الأزرق (الشكل 2).

التخلص من المنتج

احرص دائماً على اتباع الممارسات الطبية والمتطلبات الوطنية المتعلقة بالمخاطر الحيوية عند التخلص من جهاز طبي مستعمل.

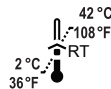
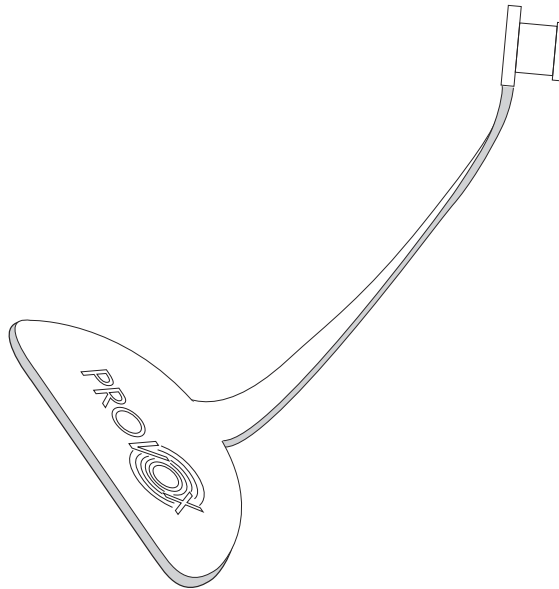
الإبلاغ

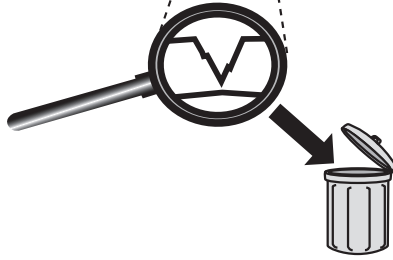
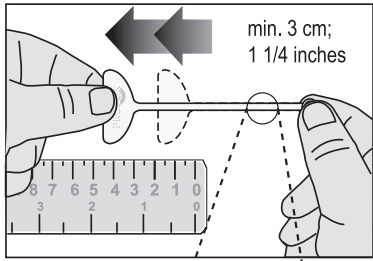
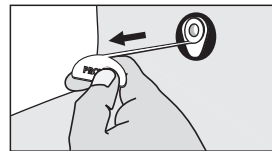
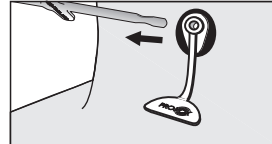
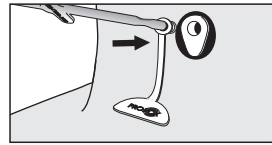
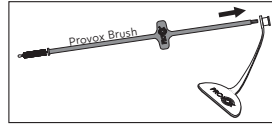
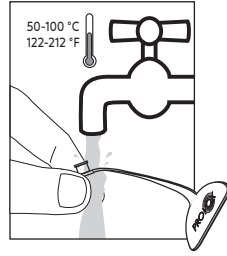
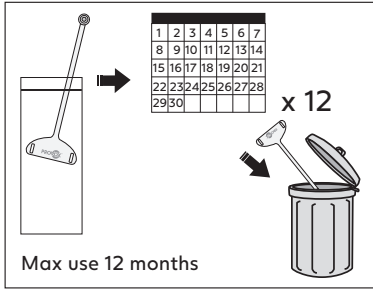
يُرجى ملاحظة أنه يجب إبلاغ الشركة المصنعة والسلطة الوطنية بالبلد الذي يقيم فيه المستخدم و/أو المريض بأي حادث خطير يقع في ما يتعلق بالجهاز.

Ordering information

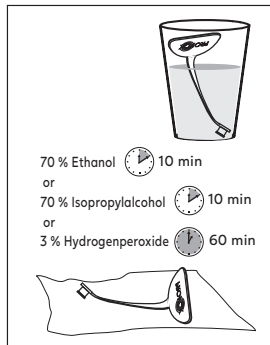
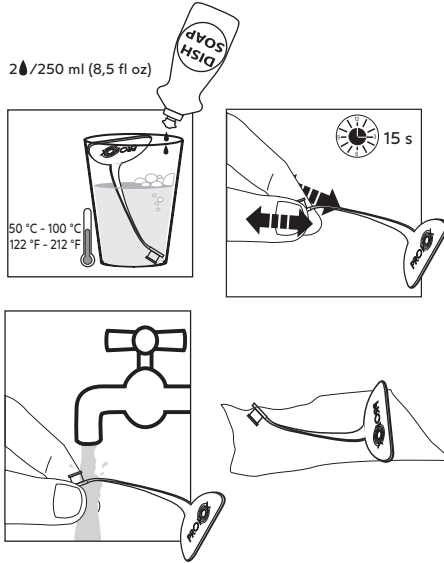
Type of Voice Prosthesis	Provox Brush REF 7204	Provox Brush XL REF 7225
Provox Vega/Provox Vega XtraSeal/ Provox2/Provox ActiValve ≤ 10 mm	X	
Provox Vega/Provox Vega XtraSeal/ Provox2/Provox ActiValve ≥ 12.5 mm		X
Provox NID 17, 20 ≤ 10 mm	X	
Provox NID 17, 20 ≥ 12 mm		X

PROVOX Plug





2 / 250 ml (8,5 fl oz)



Contents

EN - ENGLISH.....	119
DE - DEUTSCH.....	119
NL - NEDERLANDS.....	120
FR - FRANÇAIS.....	121
IT - ITALIANO.....	122
ES - ESPAÑOL.....	123
PT - PORTUGUÊS.....	124
SV - SVENSKA.....	125
DA - DANSK.....	126
NO - NORSK.....	127
FI - SUOMI.....	127
IS - ÍSLENSKA.....	128
HU - MAGYAR.....	129
PL - POLSKI.....	130
HR - HRVATSKI.....	131
EL - ΕΛΛΗΝΙΚΑ.....	132
TR - TÜRKÇE.....	133
RU - РУССКИЙ.....	134
JA - 日本語.....	135
KO - 한국어.....	136
ZHTW - 繁體中文.....	137
AR - العربية.....	138

1. Descriptive Information

1.1 Intended use

Provox Plug is intended to seal the inner lumen of Provox Voice Prostheses, Provox2 Voice Prostheses and Provox ActiValve and therefore stop leakage of both air and fluids through the voice prosthesis.

1.2 Description of the device

Provox Plug is a first-aid tool for temporarily stopping leakage through the voice prosthesis. The device is inserted into the opening of Provox voice prosthesis. The medallion end can be taped to the skin if desired.

1.3 Precaution

Provox Plug is intended for single patient use.
Reuse in another patient may cause cross contamination.

2. Instructions for use

2.1 Operation instruction

Check device integrity prior to each use by pulling the strap see fig. 1.
For instructions on how to use the product, please see fig. 2-6.

2.2 Cleaning and disinfection

Clean Provox Plug after each use, or if it is changed during use according to Fig. 7-10.
Fig. 8, Rub the device between your fingers for 15 seconds.

DO NOT use any water other than drinking water to clean and rinse the device.
Disinfect Provox Plug at least once a day if it is removed (Fig. 11) with one of the following methods:

- Ethanol 70% for 10 minutes
- Isopropylalcohol 70% for 10 minutes
- Hydrogenperoxide 3% for 60 minutes

CAUTION: DO NOT clean or disinfect by any other method as this might cause product damage and injury.

If Provox Plug looks dirty or has air dried in an area with a risk of contamination the device should be both cleaned and disinfected before use.

A risk of contamination could exist if the device has been dropped on the floor or if it has been in contact with a pet, someone with a respiratory infection, or any other gross contamination.

During hospitalization it is important to both clean and disinfect Provox Plug after use but also before use since there is an increased risk of infection and contamination. In a hospital it is better to use sterile water for cleaning and rinsing, rather than drinking water.

2.3 Disposal

Always follow medical practice and national requirements regarding biohazard when disposing of a used medical device.

2.4 Reporting

Please note that any serious incident that has occurred in relation to the device shall be reported to the manufacturer and the national authority of the country in which the user and/or patient resides.

1. Produktbeschreibung

1.1 Verwendungszweck

Der Stopfen Provox Plug ist für die Abdichtung des inneren Lumens der Stimmprothesen Provox, Provox2 und Provox ActiValve bestimmt und soll verhindern, dass sowohl Luft als auch Flüssigkeiten durch die Stimmprothese dringen.

1.2 Produktbeschreibung

Der Stopfen Provox Plug ist ein Sofortmaßnahme-Instrument zur temporären Blockade einer Leckage in der Stimmprothese. Das Produkt wird in die Öffnung der Stimmprothese Provox eingesetzt. Das Ende des Medaillons kann mit Pflaster auf der Haut befestigt werden.

1.3 Vorsichtsmaßnahmen

Der Stopfen Provox Plug ist nur zum Gebrauch bei einem einzelnen Patienten bestimmt.
Die Wiederverwendung bei einem anderen Patienten kann eine Kreuzkontamination verursachen.

2. Gebrauchsanweisung

2.1 Gebrauchsanleitung

Überprüfen Sie vor jeder Verwendung die Unversehrtheit des Produkts, indem Sie am Sicherheitsfaden ziehen (siehe Abb. 1). Die Anleitung zur Verwendung des Produkts finden Sie in den Abb. 2–6.

2.2 Reinigung und Desinfektion

Reinigen Sie den Stopfen Provox Plug nach jedem Gebrauch oder beim Austausch während der Verwendung, wie in den Abb. 7–10 gezeigt.

Reiben Sie das Produkt 15 Sekunden lang zwischen Ihren Fingern (Abb. 8).

Benutzen Sie zum Reinigen und Abspülen des Produkts **AUSSCHLIESSLICH** Trinkwasser.
Desinfizieren Sie den Stopfen Provox Plug mindestens einmal am Tag, wenn er entfernt wird, mit einem der folgenden Mittel (Abb. 11):

- 10 Minuten in Ethanol 70 %
- 10 Minuten in Isopropylalkohol 70 %
- 60 Minuten in Wasserstoffperoxid 3 %

VORSICHT: Benutzen Sie zur Reinigung oder Desinfektion **KEINE ANDEREN MITTEL**, da dies Schäden am Produkt verursachen oder zu Verletzungen führen könnte.

Falls der Stopfen Provox Plug sichtbar verschmutzt ist oder in einem für Kontaminationen risikoreichen Bereich luftgetrocknet wurde, muss er direkt vor dem Gebrauch gereinigt und desinfiziert werden.

Ein Kontaminationsrisiko kann bestehen, wenn das Produkt auf den Boden gefallen oder in Kontakt mit Haustieren oder einer Person mit Atemwegsinfektion gekommen ist oder das Produkt auf andere Art und Weise grob verschmutzt wurde.

Aufgrund des erhöhten Infektions- und Kontaminationsrisikos ist es bei Verwendung in einer Krankenhausumgebung wichtig, den Stopfen Provox Plug nach dem Gebrauch und erneut vor dem Gebrauch zu reinigen und zu desinfizieren. Im Krankenhaus zur Reinigung und Spülung statt Trinkwasser besser steriles Wasser verwenden.

2.3 Entsorgung

Bei der Entsorgung von benutzten Medizinprodukten immer die medizinische Praxis sowie die Vorschriften für biologisch gefährliches Material des jeweiligen Landes befolgen.

2.4 Meldung

Bitte beachten Sie, dass alle schwerwiegenden Vorfälle, die sich im Zusammenhang mit dem Produkt ereignet haben, dem Hersteller sowie den nationalen Behörden des Landes gemeldet werden müssen, in dem der Benutzer und/oder der Patient ansässig ist.

NEDERLANDS

1. Beschrijving

1.1 Indicaties voor gebruik

De Provox Plug is bedoeld om het binnenste lumen van Provox-stemprothesen, Provox2-stemprothesen en de Provox ActiValve af te dichten om zodoende het lekken van zowel lucht als vloeistoffen via de stemprothese te stoppen.

1.2 Productbeschrijving

De Provox Plug is een eerstehulpinstrument voor het tijdelijk stoppen van lekken van lucht en vloeistoffen via de stemprothese. Het instrument wordt door de opening van de Provox-stemprothese ingebracht. Het medaillonuiteinde kan indien gewenst op de huid worden geplakt.

1.3 Voorzorgsmaatregelen

Provox Plug is bestemd voor gebruik bij één patiënt.
Hergebruik bij een andere patiënt kan kruisinfectie veroorzaken.

2. Gebruiksaanwijzing

2.1 Gebruiksaanwijzing

Controleer voorafgaand aan elk gebruik of het hulpmiddel intact is door aan de band te trekken (zie afbeelding 1).
Zie afbeelding 2-6 voor instructies voor het gebruik van het product.

2.2 Reiniging en desinfectie

Reinig de Provox Plug na elk gebruik of als deze tijdens het gebruik wordt vervangen, zoals weergegeven in afbeelding 7-10.
Afbeelding 8. Wrijf het instrument gedurende 15 seconden tussen uw vingers.

Gebruik **GEEN** ander water dan drinkwater om het instrument te reinigen en af te spoelen.

Desinfecteer de Provox Plug ten minste eenmaal per dag als deze wordt verwijderd (afbeelding 11) aan de hand van een van de volgende methoden:

- Ethanol 70% gedurende 10 minuten
- Isopropanol 70% gedurende 10 minuten
- Waterstofperoxide 3% gedurende 60 minuten

LET OP: Het instrument mag **NIET** op enige andere wijze worden gereinigd of gedesinfecteerd, aangezien dit tot schade aan het product en letsel kan leiden.

Als de Provox Plug er vuil uitziet of in een ruimte met gevaar op contaminatie aan de lucht gedroogd is, moet het hulpmiddel voorafgaand aan gebruik zowel worden gereinigd als gedesinfecteerd.

Er bestaat een risico op besmetting als het hulpmiddel op de grond gevallen is of in aanraking geweest is met een huisdier, iemand met een luchtweginfectie of een andere besmettingsbron.

Tijdens een ziekenhuisopname is het belangrijk de Provox Plug zowel na als vóór gebruik te reinigen en te desinfecteren, aangezien er een verhoogd risico op infectie en contaminatie bestaat. In een ziekenhuis is het beter om steriel water te gebruiken voor reinigen en afspoelen in plaats van drinkwater.

2.3 Afvoer

Volg bij het afvoeren van een gebruikt medisch hulpmiddel altijd de medische praktijk en nationale voorschriften met betrekking tot biologisch gevaar.

2.4 Meldingen

Let op: elk ernstig incident dat zich in verband met het hulpmiddel heeft voorgedaan, moet worden gemeld aan de fabrikant en de nationale autoriteit van het land waar de gebruiker en/of de patiënt woont.

FRANÇAIS

1. Description générale

1.1 Utilisation prévue

Le bouchon Provox Plug est destiné à obturer la lumière interne des prothèses phonatoires Provox, Provox2 et Provox ActiValve et ainsi arrêter les fuites d'air et de liquides par la prothèse phonatoire.

1.2 Description du dispositif

Le bouchon Provox Plug est un dispositif de premier secours visant à arrêter temporairement une fuite à travers la prothèse phonatoire. Le dispositif est introduit dans l'ouverture de la prothèse phonatoire Provox. L'extrémité du médaillon peut être collée sur la peau avec de l'adhésif, le cas échéant.

1.3 Mise en garde

Le bouchon Provox Plug est destiné à une utilisation sur un seul patient.

La réutilisation sur un autre patient peut entraîner une contamination croisée.

2. Mode d'emploi

2.1 Consignes d'utilisation

Vérifiez l'intégrité du dispositif avant chaque utilisation en tirant sur la lanière (voir fig. 1). Consultez les consignes d'utilisation du produit à la fig. 2-6.

2.2 Nettoyage et désinfection

Nettoyez le bouchon Provox Plug après chaque utilisation ou s'il est changé pendant l'utilisation, selon la fig. 7-10.

Fig. 8 : frottez le dispositif entre vos doigts pendant 15 secondes.

N'utilisez **QUE** de l'eau potable pour nettoyer et rincer le dispositif.

Désinfectez le bouchon Provox Plug en utilisant l'une des méthodes ci-dessous au moins une fois par jour s'il est enlevé (fig. 11) :

- Éthanol à 70 % pendant 10 minutes
- Alcool isopropylique à 70 % pendant 10 minutes
- Peroxyde d'hydrogène à 3 % pendant 60 minutes

MISE EN GARDE : ne nettoyez et ne désinfectez **PAS** le produit par une autre méthode, car cela risque de l'endommager et d'occasionner des lésions.

Si le bouchon Provox Plug est visiblement sale ou a séché à l'air dans une zone où il existe un risque de contamination, nettoyez et désinfectez le dispositif avant l'utilisation.

Il existe un risque de contamination du dispositif si l'utilisateur l'a laissé tomber par terre, ou si le dispositif a été en contact avec un animal domestique, avec quelqu'un qui souffre d'une infection respiratoire ou avec d'autres contaminants grossiers.

Au cours d'une hospitalisation, il est important de nettoyer et désinfecter Provox Plug après l'utilisation et aussi avant l'utilisation, en raison d'un risque accru d'infection et de contamination. En milieu hospitalier, il est préférable d'utiliser de l'eau stérile pour nettoyer et rincer le dispositif plutôt que de l'eau potable.

2.3 Élimination

Toujours respecter la pratique médicale et les réglementations nationales concernant les risques biologiques lors de la mise au rebut d'un dispositif médical usagé.

2.4 Signalement

Noter que tout incident grave survenu en relation avec le dispositif doit être signalé au fabricant et à l'autorité nationale du pays dans lequel l'utilisateur/le patient réside.

ITALIANO

1. Informazioni descrittive

1.1 Uso previsto

Il tappo Provox Plug ha lo scopo di sigillare il lume interno delle protesi vocali Provox, Provox2 e Provox ActiValve, e quindi di bloccare la fuoriuscita di aria e fluidi dalla protesi fonatoria.

1.2 Descrizione del dispositivo

Il tappo Provox Plug è un dispositivo di primo soccorso per fermare temporaneamente eventuali perdite dalla protesi fonatoria. Il dispositivo viene inserito nell'apertura della protesi fonatoria Provox. Se si desidera, l'estremità della linguetta può essere fissata alla cute con un disco adesivo.

1.3 Precauzione

Provox Plug è destinato all'uso su un singolo paziente.

Il riutilizzo su un altro paziente può causare una contaminazione incrociata.

2. Istruzioni per l'uso

2.1 Istruzioni procedurali

Controllare l'integrità del dispositivo prima di ogni utilizzo tirando la fascetta (Fig. 1).

Per le istruzioni relative alla modalità di applicazione dei prodotti, vedere la Fig. 2-6.

2.2. Pulizia e disinfezione

Pulire Provox Plug dopo ogni utilizzo o in caso di rimozione durante l'utilizzo, come illustrato nelle Fig. 7-10. Fig. 8, strofinare il dispositivo tra le dita per 15 secondi.

Utilizzare **ESCLUSIVAMENTE** acqua potabile per pulire e sciacquare il dispositivo.

Disinfettare il tappo Provox Plug almeno una volta al giorno, se rimosso, (Fig. 11) con uno dei metodi seguenti:

- Etanolo al 70% per 10 minuti
- Alcol isopropilico al 70% per 10 minuti
- Perossido di idrogeno al 3% per 60 minuti

ATTENZIONE: NON utilizzare altri metodi per la pulizia o la disinfezione perché questo potrebbe causare danni al prodotto e lesioni al paziente.

Se il tappo Provox Plug appare sporco o è stato fatto asciugare all'aria in una zona a rischio di contaminazione, il dispositivo deve essere pulito e disinfettato prima dell'uso.

Il rischio di contaminazione si pone se il dispositivo è caduto a terra oppure è entrato in contatto con un animale domestico, un individuo che abbia contratto un'infezione respiratoria oppure con altre fonti di contaminazione grossolana.

Durante la degenza in ospedale, è importante pulire e disinfettare il tappo Provox Plug dopo l'uso ma anche prima dell'uso, in quanto esiste un maggiore rischio di infezione e di contaminazione del dispositivo. In ospedale è meglio utilizzare acqua sterile, anziché acqua potabile, per pulire e sciacquare il dispositivo.

2.3 Smaltimento

Attenersi sempre alle pratiche mediche e alle normative nazionali sui materiali biopercicolosi per lo smaltimento di un dispositivo medico usato.

2.4 Segnalazioni

Si prega di notare che qualsiasi incidente grave verificatosi in relazione al dispositivo deve essere segnalato al fabbricante e all'autorità nazionale del Paese in cui risiede l'utilizzatore e/o il paziente.

ESPAÑOL

1. Información descriptiva

1.1 Uso previsto

El Provox Plug (tapón) está diseñado para sellar el lumen interno de las prótesis de voz Provox, Provox2 y Provox ActiValve y, así, detener la fuga tanto de aire como de líquidos a través de la prótesis de voz.

1.2 Descripción del dispositivo

Provox Plug es una herramienta de primeros auxilios para bloquear temporalmente las fugas a través de la prótesis de voz. El dispositivo se inserta en la abertura de la prótesis de voz Provox. El extremo del medallón puede adherirse con cinta a la piel, si se desea.

1.3 Precaución

El Provox Plug está diseñado para utilizarse en un solo paciente. Su reutilización en otro paciente podría provocar una contaminación cruzada.

2. Instrucciones de uso

2.1 Instrucciones de funcionamiento

Compruebe la integridad del dispositivo antes de cada uso tirando de la banda. Consulte la fig. 1. Para obtener instrucciones sobre cómo utilizar el producto, consulte las figuras 2 a 6.

2.2 Limpieza y desinfección

Limpie el Provox Plug después de cada uso o si se cambia durante su uso, de acuerdo con las figuras 7 a 10. Fig. 8: Frote el dispositivo entre los dedos durante 15 segundos.

NO utilice agua que no sea potable para limpiar y enjuagar el dispositivo.

Si se retira el tapón Provox Plug, desinfectelo al menos una vez al día (fig. 11) con uno de los métodos siguientes:

- Etanol al 70 % durante 10 minutos
- Alcohol isopropílico al 70 % durante 10 minutos
- Agua oxigenada al 3 % durante 60 minutos

AVISO: NO limpie ni desinfecte el producto mediante ningún otro método, ya que esto podría dañarlo y producir lesiones. Si el Provox Plug parece sucio o se ha secado al aire en una zona con riesgo de contaminación, deberá limpiarse y desinfectarse antes de su uso.

Podría existir riesgo de contaminación si el dispositivo se ha caído al suelo o ha estado en contacto con algún animal, con alguien que tenga una infección respiratoria o con algún otro tipo de contaminación visible.

Durante la hospitalización, es importante limpiar y desinfectar el Provox Plug después de su uso y una vez más antes de usarlo, debido a un mayor riesgo de infecciones y contaminación del dispositivo. En los hospitales, para limpiar y enjuagar es mejor utilizar agua estéril, en vez de agua potable.

2.3 Eliminación

Al desechar un dispositivo médico usado, siga siempre la práctica médica y los requisitos nacionales sobre peligros biológicos.

2.4 Notificación

Tenga en cuenta que cualquier incidente grave que se haya producido en relación con el dispositivo se comunicará al fabricante y a la autoridad nacional del país en el que resida el usuario y/o el paciente.

PORTUGUÊS

1. Informação descritiva

1.1 Utilização prevista

O Provox Plug destina-se a selar o lúmen interior das próteses fonatórias Provox, das próteses fonatórias Provox2 e da Provox ActiValve e, conseqüentemente, interromper a fuga de ar e líquido através da prótese fonatória.

1.2 Descrição do dispositivo

O Provox Plug é um dispositivo de primeiros-socorros para parar temporariamente as fugas através da prótese fonatória. O dispositivo é inserido na abertura da prótese fonatória Provox. Se desejar, a extremidade de segurança pode ser colada com adesivo na pele.

1.3 Precaução

O Provox Plug destina-se exclusivamente a utilização num único paciente. A reutilização noutro paciente pode causar contaminação cruzada.

2. Instruções de utilização

2.1 Instruções de funcionamento

Verifique a integridade do dispositivo antes de cada utilização, puxando a fita (consulte a figura 1). Para obter as instruções sobre como utilizar o produto, consulte as figuras 2 a 6.

2.2 Limpeza e desinfeção

Limpe o Provox Plug após cada utilização ou caso seja substituído durante a utilização, em conformidade com as indicações das figuras 7 a 10.

Figura 8, Esfregue o dispositivo entre os dedos durante 15 segundos.

NÃO utilize outro tipo de água, além de água potável, para limpar e enxaguar o dispositivo.

Desinfete o Provox Plug, no mínimo, uma vez por dia se for removido (figura 11), utilizando um dos seguintes métodos:

- Etanol a 70% durante 10 minutos
- Álcool isopropílico a 70% durante 10 minutos
- Peróxido de hidrogénio a 3% durante 60 minutos

ATENÇÃO: NÃO limpe nem desinfete com qualquer outro método, porque tal poderá danificar o produto e causar lesões no paciente.

Se o Provox Plug parecer sujo ou se secou ao ar numa área em que exista risco de contaminação, o dispositivo deverá ser limpo e desinfetado antes da utilização.

Poderá existir um risco de contaminação se o dispositivo tiver caído ao chão ou se tiver estado em contacto com um animal de estimação, com uma pessoa que apresente uma infeção respiratória ou qualquer outro tipo de contaminação.

Durante a hospitalização, é importante limpar e desinfetar o Provox Plug imediatamente após a utilização e também antes da utilização devido a um risco acrescido de infeção e contaminação. Num hospital, é melhor utilizar água estéril para a limpeza e o enxaguamento do que água potável.

2.3 Eliminação

Cumpra sempre os requisitos nacionais e de medicina geral em matéria de perigos biológicos ao eliminar um dispositivo médico usado.

2.4. Comunicação de incidentes

Tenha em atenção que qualquer incidente grave que tenha ocorrido, relacionado com o dispositivo, deve ser comunicado ao fabricante e à autoridade nacional do país onde o utilizador e/ou o paciente residem.

SVENSKA

1. Beskrivning

1.1 Avsedd användning

Provox Plug är avsedd att tätta det inre hålrummet på Provox röstventiler, Provox2 röstventiler och Provox ActiValve och därmed stoppa läckage av både luft och vätskor genom röstventilen.

1.2 Produktbeskrivning

Provox Plug är ett första-hjälpen-verktyg för att tillfälligt stoppa läckage genom röstventilen. Produkten sätts i Provox röstventilens öppning. Medaljongändan kan tejpas på huden om så önskas.

1.3 Försiktighetsåtgärder

Provox Plug är avsedd för enpatientsbruk. Återanvändning i en annan patient kan orsaka korskontaminering.

2. Bruksanvisning

2.1 Användaranvisningar

Kontrollera produkten är hel före varje användningstillfälle genom att dra i remmen, se fig. 1. Se fig. 2–6 för anvisningar om hur du använder produkten.

2.2 Rengöring och desinficering

Rengör Provox Plug efter varje användningstillfälle eller om den byts ut under användning, enligt fig. 7–10. Fig. 8 Gnugga produkten mellan fingrarna i 15 sekunder.

ANVÄND INGEN annan vattenkvalitet än dricksvatten för att rengöra och skölja produkten.

Desinficera Provox Plug åtminstone en gång per dag om den avlägsnas (fig. 11) med någon av följande metoder:

- 70 % etanol under 10 minuter.
- 70 % isopropylalkohol under 10 minuter.
- 3 % väteperoxid under 60 minuter.

FÖRSIKTIGHET: Rengör eller desinficera **INTE** med någon annan metod eftersom det kan orsaka produkt- eller personskada. Om Provox Plug ser smutsig ut eller har fått lufttorka i ett område med kontaminationsrisk ska produkten både rengöras och desinficeras före användning.

En kontaminationsrisk kan föreligga om produkten har tappats på golvet eller om den har varit i kontakt med ett husdjur, om någon har en luftvägsinfektion eller vid annan grov kontamination.

Under sjukhusvistelse är det viktigt att rengöra och desinficera Provox Plug efter användning men även före användning på grund av ökad risk för infektion och kontamination. På sjukhuset är det bättre att använda sterilt vatten, snarare än dricksvatten, för rengöring och sköljning.

2.3 Kassering

Følg altid medicinsk praksis og nationella krav rörande biologiska risker vid kassering av en förbrukad medicinteknisk produkt.

2.4 Rapportering

Observera att varje allvarlig incident som har inträffat i förhållande till produkten ska rapporteras till tillverkaren och den nationella myndigheten i det land där användaren och/eller patienten är bosatt.

DANSK

1. Beskrivende information

1.1 Tilsigtet anvendelse

Provox Plug (prop) er beregnet til at forsegle den indvendige lumen af Provox stemmeprøtose, Provox2 stemmeprøtose og Provox ActiValve og derfor stoppe lækage af både luft og væsker gennem stemmeprøtosen.

1.2 Beskrivelse af enheden

Provox Plug (prop) er et førstehjælpsværktøj til midlertidig standsning af lækage gennem stemmeprøtosen. Anordningen indsættes i åbningen af Provox stemmeprøtose. Ringenden kan tapes til huden, hvis det ønskes.

1.3 Forholdsregel

Provox Plug (prop) er beregnet til brug for en enkelt patient. Genbrug i forbindelse med en anden patient kan forårsage krydskontamination.

2. Brugsanvisning

2.1 Betjeningsinstruktioner

Kontroller anordningens integritet inden hver brug ved at trække i båndet, se Fig. 1. Se Fig. 2-6 for anvisninger om brug af produktet.

2.2 Rengøring og desinficering

Rengør Provox Plug (prop) efter hver anvendelse, eller hvis den skiftes under brug, iht. Fig. 7-10. Fig. 8, Gnub anordningen mellem fingrene i 15 sekunder.

Der **MÅ IKKE** bruges andet vand end drikkevand til at rengøre og skylle anordningen.

Hvis Provox Plug (prop) fjernes (Fig. 11), skal den desinficeres mindst én gang om dagen vha. en af følgende metoder:

- Ethanol 70 % i 10 minutter
- Isopropylalkohol 70 % i 10 minutter
- Brintoverilte 3 % i 60 minutter

FORSIGTIG: Rengøring eller desinficering **MÅ IKKE** foretages på anden måde, da dette kan forårsage produktbeskadigelse og patientskade.

Hvis Provox Plug (prop) ser snavset ud eller er blevet lufttørret på et område med risiko for kontaminering, skal anordningen både rengøres og desinficeres før brug.

Der kan være risiko for kontaminering, hvis taleventilen har været faldet på gulvet, eller hvis den har været i kontakt med et kæledyr, en person med luftvejsinfektion eller andre former for voldsom kontamination.

Under hospitalsindlæggelse er det vigtigt både at rengøre og desinficere Provox Plug efter brug, men også før brug, da der er en øget risiko for infektion og kontaminering. På et hospital er det bedst at bruge sterilt vand til rengøring og skylning frem for drikkevand.

2.3 Bortskaffelse

Følg altid medicinsk praksis og nationale krav vedrørende biologisk farligt affald ved bortskaffelse af en brugt medicinsk anordning.

2.4 Rapportering

Bemærk, at enhver alvorlig hændelse, der er opstået i relation til enheden, skal indberettes til fabrikanten og den nationale myndighed i det land, hvor brugeren og/eller patienten opholder sig.

1. Beskrivelse

1.1 Tiltenkt bruk

Provox Plug er ment å tette det indre lumenet til Provox-taleproteser, Provox2-taleproteser og Provox ActiValve og på den måten å stoppe lekkasje av både luft og væske gjennom taleprotesen.

1.2 Beskrivelse av anordningen

Provox Plug er et førstehjelpsverktøy for midlertidig å stoppe lekkasje gjennom taleprotesen. Anordningen settes inn i åpningen på Provox-taleprotesen. Medaljongenden kan teipes til huden om ønskelig.

1.3 Forsiktighetsregler

Provox Plug er beregnet for bruk på én pasient.

Gjenbruk på en annen pasient kan føre til krysskontaminasjon.

2. Bruksanvisning

2.1 Driftsinstruksjon

Kontroller anordningens integritet før hver bruk ved å trekke i stroppen, se fig. 1.

Se fig. 2–6 for instruksjoner om bruk av produktet.

2.2 Rengjøring og desinfeksjon

Rengjør Provox Plug etter hver bruk eller hvis den fjernes under bruk, i henhold til fig. 7–10.

Fig. 8, gni anordningen mellom fingrene i 15 sekunder.

IKKE bruk annet vann enn drikkevann til rengjøring og skylling av anordningen.

Desinfiser Provox Plug minst én gang om dagen hvis den fjernes (fig. 11), med én av følgende metoder:

- Etanol 70 % i 10 minutter
- Isopropylalkohol 70 % i 10 minutter
- Hydrogenperoksid 3 % i 60 minutter

FORSIKTIG: IKKE rengjør eller desinfiser med noen annen metode, da dette kan forårsake produktskade og personskaide. Hvis Provox Plug ser skitten ut eller har lufttørket på et sted med risiko for kontaminasjon, må anordningen både rengjøres og desinfiseres før bruk.

En fare for kontaminasjon kan være til stede hvis anordningen har falt i gulvet eller hvis den har vært i kontakt med et kjæledyr, noen med luftveisinfeksjon eller noen annen grov kontaminasjon.

Ved sykehusinnleggelse er det viktig å både rengjøre og desinfisere Provox Plug etter bruk, men også før bruk, da det er økt risiko for infeksjon og kontaminasjon. På et sykehus er det bedre å bruke sterilt vann til rengjøring og skylling enn drikkevann.

2.3 Avhending

Følg alltid medisinsk praksis og nasjonale krav angående biologiske farer når en brukt medisinsk anordning skal avhendes.

2.4 Rapportering

Vær oppmerksom på at enhver alvorlig hendelse som har oppstått i forbindelse med enheten, skal rapporteres til produsenten og nasjonale myndigheter i landet der brukeren og/eller pasienten bor.

1. Tuotetiedot

1.1 Käyttötarkoitus

Provox Plug -tulppa on tarkoitettu Provox-ääniproteesien, Provox2-ääniproteesien ja Provox ActiValve -ääniproteesien sisällyksen tiivistämiseen siten, että se estää sekä ilman että nesteiden vuodon ääniproteesin läpi.

1.2 Laitteen kuvaus

Provox Plug -tulppa on ensiapuväline vuodon väliaikaiseen pysäyttämiseen ääniproteesin läpi. Laite asetetaan Provox-ääniproteesin aukkoon. Liuskan pää voidaan haluttaessa teipata ihoon.

1.3 Varoitus

Provox Plug -tulppa on tarkoitettu potilaskohtaiseen käyttöön. Uudelleenkäyttö toisella potilaalla saattaa aiheuttaa ristikontaminaation.

2. Käyttöohjeet

2.1 Käyttöohjeet

Tarkasta laitteen eheys ennen jokaista käyttökertaa vetämällä hihnasta (katso kuvaa 1). Katso tuotteen käyttöohjeet kuvista 2–6.

2.2 Puhdistus ja desinfiointi

Puhdista Provox Plug -tulppa kuvien 7–10 mukaisesti jokaisen käyttökerran jälkeen tai jos tulppa joudutaan vaihtamaan käytön aikana.

Kuva 8: hiero laitetta sormien välissä 15 sekunnin ajan.

Laitteen puhdistukseen ja huuhteluun **EI SAA** käyttää muuta kuin juomavettä.

Jos Provox Plug -tulppa poistetaan, desinfioi se vähintään kerran päivässä (kuva 11) jollakin seuraavista menetelmistä:

- 70-prosenttinen etanoli 10 minuutin ajan
- 70-prosenttinen isopropanoli (isopropyylialkoholi) 10 minuutin ajan
- 3-prosenttinen vetyperoksidi 60 minuutin ajan.

HUOMAA: Tuotetta **EI SAA** puhdistaa eikä desinfioida millään muulla menetelmällä. Muussa tapauksessa tuote voi vaurioitua tai potilas voi loukkaantua.

Jos Provox Plug -tulppa näyttää likaiselta tai se on ollut kuivumassa huoneilmassa alueella, jossa on kontaminoitumisvaara, laite on sekä puhdistettava että desinfioitava ennen käyttöä.

Jos laite on pudonnut lattialle tai koskettanut kotieläintä, hengitystieinfektiopotilasta tai muuta ilmeistä kontaminaatiolähdettä, kontaminaation vaara on olemassa.

Sairaalahoidon aikana on tärkeää puhdistaa ja desinfioida Provox Plug -tulppa sekä käytön jälkeen että myös ennen käyttöä, sillä sairaalassa infektion ja kontaminaation vaara on suurentunut. Sairaalassa on parempi käyttää steriiliä vettä puhdistukseen ja huuhteluun juomaveden sijaan.

2.3 Hävittäminen

Noudata aina lääketieteellistä käytäntöä ja biovaarallisia aineita koskevia kansallisia vaatimuksia lääkinällistä laitetta hävitettäessä.

2.4 Ilmoittaminen

Huomaa, että kaikki laitetta koskevat, vakavat tapahtumat ilmoitetaan valmistajalle ja käyttäjän ja/tai potilaan asuinmaan kansalliselle viranomaiselle.

ÍSLENSKA

1. Lýsandi upplýsingar

1.1 Fyrirhuguð notkun

Provox Plug-tækið er ætlað til að þetta innra holrými Provox talventla, Provox2 talventla og Provox ActiValve, og stöðva þannig leka lofts og vökva gegnum talventilinn.

1.2 Lýsing á tækinu

Provox Plug-tækið er skyndihjálpartæki sem ætlað er til að stöðva tímabundið leka í gegnum talventilinn. Tækið er sett inn í op Provox talventilisins. Hægt er að líma kringlóttu endann (skjöldinn) við húðina ef óskað er.

1.3 Varúðarreglur

Provox Plug-tækið er eingöngu ætlað til notkunar hjá einum sjúklingi. Ef tækið er notað hjá öðrum sjúklingi getur það valdið víxlmengun.

2. Notkunarleiðbeiningar

2.1 Leiðbeiningar um notkun

Kannið heilleika tækisins fyrir hverja notkun með því að toga í borðann sjá mynd 1.

Nánari leiðbeiningar um notkun tækisins eru gefnar á myndum 2–6.

2.2 Hreinsun og sótthreinsun

Hreinsið Provox Plug-tækið eftir hverja notkun, og þegar skipt er um tækið meðan á notkun stendur, samkvæmt leiðbeiningunum á myndum 7–10.

Mynd 8, nuddið tækið milli fingranna í 15 sekúndur.

EKKI MÁ NOTA annað vatn en drykkjarvatn til að hreinsa og skola tækið.

Sótthreinsið Provox Plug-tækið að minnsta kosti einu sinni á dag ef tækið er fjarlægð (mynd 11) með einni af eftirfarandi aðferðum:

- 70% etanól í 10 mínútur
- 70% ísoprópylalkóhól í 10 mínútur
- 3% vetnisperoxíð í 60 mínútur

VARÚÐ: EKKI MÁ hreinsa eða sótthreinsa tækið með neinum öðrum hætti þar sem það getur valdið skemmdum á tækinu og meiðslum hjá sjúklingi.

Ef Provox Plug-tækið virðist óhreint eða hefur loftþornað á svæði þar sem hætta er á mengun skal hreinsa það og sótthreinsa fyrir notkun.

Mengun getur verið til staðar ef tækið hefur dottið í gólfíð, komist í snertingu við gæludýr eða einstakling með sýkingu í öndunarfærum, eða ef annars konar víxlmengun hefur átt sér stað.

Á sjúkrahúsum er mikilvægt að hreinsa og sótthreinsa Provox Plug-tækið eftir notkun en einnig fyrir notkun þar sem aukin hætta er á sýkingum og mengun. Á sjúkrahúsum er betra að nota sæft vatn til hreinsunar og skolonar í stað drykkjarvatns.

2.3 Förgun

Avallt skal fylgja heilbrigðiskröfum sem og landsbundnum kröfum varðandi lífsýnahættu við förgun á notuðum lækningatekjum.

2.4 Tilkynningaskylda

Vinsamlega athugið að tilkynna skal öll alvarleg atvik sem upp koma í tengslum við notkun tækisins til framleiðanda, sem og til yfirvalda í því landi þar sem notandi og/eða sjúklingur hefur búsetu.

MAGYAR

1. Általános információ

1.1. Rendeltetés

A Provox Plug (dugó) a Provox Voice Protheses, Provox2 Voice Protheses és Provox ActiValve belső lumenjének lezárására szolgál, és megakadályozza a levegő és a folyadékok szivárgását a hangprotézisen keresztül.

1.2. Az eszköz leírása

A Provox Plug (dugó) elsősegélynyújtó eszköz, amely átmenetileg megakadályozza a hangprotézisen keresztül szivárgást. Az eszközt a Provox hangprotézis nyílásába kell behelyezni. A korongos vége szükség esetén a bőrhöz ragasztható.

1.3. Óvintézkedések

A Provox Plug (dugó) egyetlen beteg általi használatra szolgál. Másik betegnél való újrafelhasználás keresztszennyeződést okozhat.

2. Használati útmutató

2.1. Használati útmutató

Minden egyes használat előtt ellenőrizze az eszköz épségét úgy, hogy meghúzza a fület (lásd: 1 ábra). A termék használatára vonatkozó utasításokért lásd a 2–6. ábrát.

2.2. Tisztítás és fertőtlenítés

Minden egyes használat után, illetve, ha használat során kicseréli, tisztítsa meg a Provox Plug dugót a 7–10. ábra szerint. 8. ábra: Dörzsölje az eszközt az ujjai között 15 másodpercig.

Az eszköz tisztításához és öblítéséhez **KIZÁRÓLAG** ivóvizet használjon.

Legalább naponta egyszer fertőtlenítse a Provox Plug dugót a következő módszerek egyikével, ha eltávolította (11. ábra):

- 70% etanol, 10 perc
- 70% izopropil-alkohol, 10 perc
- 3% hidrogén-peroxid, 60 perc

FIGYELEM: NE végezze az eszköz tisztítását és fertőtlenítését eltérő módszerrel, mert ez a termék károsodását és a beteg sérülését okozhatja.

Ha a Provox Plug (dugó) piszkosnak látszik vagy levegőn szárítása szennyezőveszélyes területen történt, az eszközt meg kell tisztítani és fertőtleníteni kell használat előtt.

Ha az eszközt a padlóra ejtették, vagy ha háziállattal, légúti fertőzésben szenvedő személlyel vagy bármilyen más erős szennyezőforrással került érintkezésbe, szennyeződés veszélye állhat fenn.

Kórházi tartózkodás idején használat után, de használat előtt is lényeges mind megtisztítani, mind fertőtleníteni a Provox Plug dugót, mivel fertőzés és szennyeződés fokozott veszélye áll fenn. Kórházban ivóvíz helyett jobb steril vizet használni a tisztításhoz és öblítéshez.

2.3 Hulladékba helyezés

Használt orvosi eszközök hulladékba helyezésénél mindig kövesse a biológiailag veszélyes hulladék kezelésére vonatkozó orvosi gyakorlatot és nemzeti követelményeket.

2.4 Jelentési kötelezettség

Felhívjuk figyelmét, hogy az eszközt érintő bármilyen súlyos balesetet jelenteni kell a gyártónak és a felhasználó/beteg lakóhelye szerint illetékes ország hatóságának.

POLSKI

1. Informacje opisowe

1.1 Przeznaczenie

Zatyczka Provox Plug służy do uszczelniania wewnętrznego światła protezy głosowych Provox, Provox2 i Provox ActiValve, co powoduje zatrzymanie przecieku zarówno powietrza, jak i płynów przez protezy głosowe.

1.2 Opis urządzenia

Zatyczka Provox Plug to narzędzie pierwszej pomocy, pozwalające na tymczasowe zatrzymanie przecieku przez protezę. Urządzenie umieszcza się w otworze protezy głosowej Provox. Koniec z uchwytem można w razie potrzeby przykleić do skóry plasterem.

1.3 Środek ostrożności

Zatyczka Provox Plug jest przeznaczona do użytku przez jednego pacjenta.

Ponowne użycie u innego pacjenta może spowodować zakażenie krzyżowe.

2. Instrukcja użycia

2.1 Obsługa

Przed każdym użyciem należy sprawdzić, czy zatyczka nie jest uszkodzona, pociągając za pasek, patrz rys. 1.

Instrukcje użycia produktu przedstawiono na rysunkach 2–6.

2.2 Czyszczenie i dezynfekcja

Zatyczkę Provox Plug należy czyścić po każdym użyciu lub w przypadku zmiany podczas użytkowania zgodnie z rys. 7–10.

Rys. 8 — pocieranie urządzenie między palcami przez 15 sekund.

Do czyszczenia i płukania urządzenia **NIE** używać innej wody niż woda pitna.

Wyjętą zatyczkę Provox Plug odkażać co najmniej raz na dobę za pomocą jednej z poniższych metod (rys. 11):

- w etanolu o stężeniu 70% przez 10 minut
- w alkoholu izopropylowym o stężeniu 70% przez 10 minut
- w nadtlenku wodoru o stężeniu 3% przez 60 minut

UWAGA: NIE czyścić ani nie dezynfekować innymi metodami, ponieważ może to spowodować uszkodzenie produktu i narazić zdrowie pacjenta.

Jeśli zatyczka Provox Plug wygląda na brudną lub była suszona na powietrzu w pomieszczeniu, w którym istnieje ryzyko skażenia, zatyczkę należy zarówno wyczyścić, jak i odkazić przed użyciem. Istnieje ryzyko skażenia, jeśli urządzenie upadło na podłogę, miało kontakt ze zwierzęciem domowym, z osobą z zakażeniem układu oddechowego lub z innym poważnym zanieczyszczeniem.

Podczas hospitalizacji ważne jest zarówno czyszczenie, jak i odkażenie zatyczki Provox Plug po użyciu, ale również przed ponownym użyciem, ponieważ w tych warunkach istnieje większe ryzyko zakażenia i skażenia. W szpitalu do czyszczenia i płukania lepiej używać wody jałowej zamiast wody pitnej.

2.3 Usuwanie

Przy usuwaniu używanego wyrobu medycznego należy zawsze postępować zgodnie z praktyką medyczną oraz krajowymi wymogami dotyczącymi zagrożeń biologicznych.

2.4 Zgłaszanie

Należy pamiętać, że każde poważne zdarzenie, do którego doszło w związku z urządzeniem, należy zgłosić producentowi i władzom w kraju zamieszkania użytkownika i/lub pacjenta.

HRVATSKI

1. Opisne informacije

1.1 Namjena

Provox Plug (čep) namijenjen je brtvljenju unutrašnjeg lumena govorne proteze Provox Voice Prostheses, Provox2 Voice Prostheses i ventila Provox ActiValve radi zaustavljanja istjecanja zraka i tekućina kroz govornu protezu.

1.2 Opis proizvoda

Provox Plug (čep) pomagalo je za prvu pomoć koje privremeno blokira puštanje kroz govornu protezu. Proizvod se umeće u otvor govorne proteze Provox. Strana s medaljonom može se po želji zaljepiti za kožu.

1.3 Mjere opreza

Provox Plug (čep) namijenjen je upotrebi na jednom bolesniku. Ponovna upotreba proizvoda na drugom bolesniku može dovesti do međusobne kontaminacije.

2. Upute za upotrebu

2.1 Upute za upotrebu

Povlačenjem vrpce prije svake upotrebe provjerite integritet pomagala (pogledajte sl. 1). Upute o upotrebi proizvoda potražite na slikama od 2 – 6.

2.2 Čišćenje i dezinfekcija

Provox Plug (čep) očistite nakon svake upotrebe ili prema uputama na slikama od 7 – 10 ako ga mijenjate tijekom upotrebe. Sl. 8. Trljajte pomagalo prstima 15 sekundi.

Za čišćenje i ispiranje pomagala **NEMOJTE** koristiti nikakvu tekućinu osim vode za piće.

Ako Provox Plug (čep) uklanjate, dezinficirajte ga barem jedanput dnevno (sl. 11) na jedan od sljedećih načina:

- 70-postotnim etanolom 10 minuta
- 70-postotnim izopropanolom 10 minuta
- 3-postotnim vodikovim peroksidom 60 minuta

OPREZ: NEMOJTE čistiti ni dezinficirati bilo kojom drugom metodom jer time možete oštetiti proizvod ili ozlijediti pacijenta. Ako Provox Plug (čep) djeluje prljavo ili ako se suši na zraku na području gdje postoji rizik od kontaminacije, pomagalo je prije upotrebe potrebno i očistiti i dezinficirati.

Do rizika od kontaminacije može doći ako proizvod padne na pod ili ako dođe u kontakt s kućnim ljubimcem, osobom koja boluje od respiratorne infekcije ili nekim drugim većim onečišćenjem.

Budući da tada postoji povećana opasnost od infekcije i kontaminacije, tijekom hospitalizacije važno je čistiti i dezinficirati pomagalo Provox Plug (čep) kako nakon, tako i prije upotrebe. U bolnici je bolje upotrebljavati sterilnu vodu za čišćenje i ispiranje, a ne vodu za piće.

2.3 Odlaganje

Uvijek slijedite medicinsku praksu i nacionalne propise o odlaganju opasnog otpada kada odlažete iskorišteni medicinski proizvod.

2.4 Prijava nezgoda

Sve ozbiljne incidente povezane s uređajem potrebno je prijaviti proizvođaču i nacionalnom tijelu u državi u kojoj se korisnik i/ili bolesnik nalazi.

ΕΛΛΗΝΙΚΑ

1. Περιγραφικές πληροφορίες

1.1 Προβλεπόμενη χρήση

Το Pronox Plug (βύσμα) προορίζεται για τη σφράγιση του εσωτερικού αυλού της φωνητικής πρόθεσης Pronox, της φωνητικής πρόθεσης Pronox2 και του Pronox ActiValve και, κατά συνέπεια, για την αποτροπή της διαρροής τόσο αέρα όσο και υγρών διαμέσου της φωνητικής πρόθεσης.

1.2 Περιγραφή της συσκευής

Το Pronox Plug είναι ένα εργαλείο πρώτων βοηθειών για την προσωρινή διακοπή της διαρροής διαμέσου της φωνητικής πρόθεσης. Η συσκευή τοποθετείται μέσα στο άνοιγμα της φωνητικής πρόθεσης Pronox. Το άκρο του περιουχένιου ασφαλείας μπορεί να προσαρτηθεί στο δέρμα, εάν χρειαστεί.

1.3 Προφύλαξη

Το Pronox Plug προορίζεται για χρήση σε έναν μόνο ασθενή.

Η επαναχρησιμοποίηση σε άλλον ασθενή μπορεί να προκαλέσει διασταυρούμενη μόλυνση.

2. Οδηγίες χρήσης

2.1 Οδηγίες λειτουργίας

Ελέγχετε την ακεραιότητα της συσκευής πριν από κάθε χρήση τραβώντας το κορδόνι, βλ. Εικ. 1.

Για οδηγίες σχετικά με τον τρόπο χρήσης του προϊόντος, ανατρέξτε στις Εικ. 2–6.

2.2 Καθαρισμός και απολύμανση

Καθαρίζετε το Pronox Plug μετά από κάθε χρήση ή, εάν αντικατασταθεί κατά τη διάρκεια της χρήσης, σύμφωνα με τις Εικ. 7–10. Εικ. 8, Τρίψτε τη συσκευή ανάμεσα στα δάχτυλά σας για 15 δευτερόλεπτα.

ΜΗΝ χρησιμοποιείτε οποιοδήποτε τύπο νερού εκτός από πόσιμο νερό για τον καθαρισμό και την έκπλυση της συσκευής. Να απολυμαίνεται το Pronox Plug τουλάχιστον μία φορά την ημέρα εάν αφαιρεθεί (Εικ. 11) με μία από τις παρακάτω μεθόδους:

- Αιθανόλη 70% για 10 λεπτά
- Ισοπροπυλική αλκοόλη 70% για 10 λεπτά
- Υπεροξειδίου του υδρογόνου 3% για 60 λεπτά

ΠΡΟΣΟΧΗ: ΜΗΝ καθαρίζετε και μην απολυμαίνετε με οποιαδήποτε άλλη μέθοδο, καθώς αυτό μπορεί να προκαλέσει ζημιά στο προϊόν και τραυματισμό.

Εάν το Pronox Plug φαίνεται να είναι βρόμικο ή έχει στεγνώσει με αέρα σε περιοχή στην οποία υπάρχει κίνδυνος μόλυνσης, η συσκευή θα πρέπει να καθαρίζεται και να απολυμαίνεται πριν από τη χρήση.

Κίνδυνος μόλυνσης μπορεί να υπάρξει εάν η συσκευή έχει πέσει στο δάπεδο ή εάν έχει έρθει σε επαφή με κάποιο κατοικίδιο, με κάποιο άτομο που πάσχει από λοίμωξη του αναπνευστικού ή με οποιαδήποτε άλλη πηγή σοβαρής μόλυνσης.

Κατά τη διάρκεια της νοσηλείας, είναι σημαντικό να γίνεται τόσο καθαρισμός όσο και απολύμανση του Pronox Plug μετά τη χρήση, αλλά και πριν από τη χρήση, καθώς υπάρχει αυξημένος κίνδυνος λοίμωξης και μόλυνσης. Σε ένα νοσοκομειακό περιβάλλον, προτιμάται η χρήση στείρου νερού για τον καθαρισμό και την έκπλυση, αντί πόσιμου νερού.

2.3 Απόρριψη

Να ακολουθείτε πάντοτε τις κατάλληλες ιατρικές πρακτικές και τις εθνικές απαιτήσεις περί βιολογικού κινδύνου όταν απορρίπτετε χρησιμοποιημένες ιατρικές συσκευές.

2.4 Αναφορά

Επισημαίνεται ότι οποιοδήποτε σοβαρό συμβάν που έχει προκύψει σε σχέση με τη συσκευή πρέπει να αναφέρεται στον κατασκευαστή και την εθνική αρχή της χώρας στην οποία διαμένει ο χρήστης ή/και ο ασθενής.

1. Tanımlayıcı Bilgiler

1.1 Kullanım amacı

Provox Plug; Provox Ses Protezlerinin, Provox2 Ses Protezlerinin ve Provox ActiValve'in iç lümenini sızdırmaz hale getirmek ve böylece ses protezlerinde oluşabilecek hava ve sıvı sızıntılarını engellemek amacıyla tasarlanmıştır.

1.2 Cihazın tanımı

Provox Plug, ses protezlerinde oluşabilecek sızıntıları geçici olarak engelleyen bir ilk yardım aracıdır. Cihaz, Provox ses protezlerindeki açıklığa yerleştirilir. İstenirse madalyon ucu cilt üzerine bantlanabilir.

1.3 Önlem

Provox Plug sadece tek bir hastada kullanılmak üzere tasarlanmıştır.

Başka bir hastada tekrar kullanılması çapraz kontaminasyona yol açabilir.

2. Kullanım talimatları

2.1 Çalıştırma talimatı

Her kullanımdan önce, kayışı çekerek cihazın sağlamlığını kontrol edin, bkz. Şekil 1.

Ürünün nasıl kullanılacağına ilişkin talimatlar için bkz. Şekil 2-6.

2.2 Temizleme ve dezenfeksiyon

Her kullanımdan sonra veya kullanım sırasında değiştirilmesi durumunda Provox Plug'ı Şekil 7-10'a göre temizleyin.

Cihazı Şekil 8'deki gibi parmaklarınızın arasına alarak 15 saniye boyunca ovalayın.

Cihazı temizlemek ve durulamak için içme suyundan başka su **KULLANMAYIN**.

Çıkarılması durumunda Provox Plug'ı aşağıdaki yöntemlerden biriyle günde en az bir kez dezenfekte edin (Şekil 11):

- %70'lik etanol ile 10 dakika
- %70'lik izopropilalkol ile 10 dakika
- %3'lük hidrojen peroksit ile 60 dakika

DİKKAT: Ürünün hasar görmesine ve hastanın yaralanmasına yol açabileceği için temizlik veya dezenfeksiyon amacıyla başka bir yöntem **KULLANMAYIN**.

Provox Plug kirli görünüyorsa veya kontaminasyon riski oluşabilecek şekilde açık havada kurutulmuşsa, kullanılmadan önce temizlenmeli ve dezenfekte edilmelidir.

Cihaz yere düşürülmüşse veya bir evcil hayvana, solunum yolu enfeksiyonu olan birine veya diğer herhangi bir önemli kontaminasyon kaynağına temas etmişse kontaminasyon riski söz konusu olabilir.

Hastanede tedavi sırasında enfeksiyon ve kontaminasyon riskinin yüksek olması nedeniyle, Provox Plug'ın her kullanımdan önce ve sonra temizlenmesi ve dezenfekte edilmesi çok önemlidir. Hastanede, temizleme ve durulama için içme suyu yerine steril su kullanmak daha iyidir.

2.3 Atma

Kullanılmış bir tıbbi cihazı atarken biyolojik tehlikelerle ilgili tıbbi uygulamalara ve ulusal gerekliliklere daima uyun.

2.4 İhbar

Cihazla ilgili meydana gelen herhangi bir ciddi olay üreticiye ve kullanıcının ve/veya hastanın ikamet ettiği ülkedeki ulusal yetkiliye bildirilmelidir.

1. Описание

1.1 Назначение

Заглушка Provox Plug предназначена для закрытия внутреннего канала голосового протеза Provox, Provox2 и Provox ActiValve и, как следствие, предотвращения утечки воздуха и жидкостей через голосовой протез.

1.2 Описание устройства

Provox Plug представляет собой приспособление для оказания первой помощи, которое временно блокирует утечку через голосовой протез. Устройство вставляется в отверстие голосового протеза Provox. При необходимости конец с лепестком можно прикрепить к коже лентой.

1.3 Меры предосторожности

Заглушка Provox Plug предназначена исключительно для индивидуального применения.

Повторное использование для другого пациента может стать причиной перекрестного инфицирования.

2. Инструкции по применению

2.1 Инструкция по эксплуатации

Проверяйте целостность изделия перед каждым применением, потянув за ремешок (рис. 1).

Инструкции по эксплуатации см. на рис. 2–6.

2.2 Очистка и дезинфекция

Очищайте изделие Provox Plug после каждого применения и в процессе использования в соответствии с рис. 7–10.

Рис. 8: потрите устройство между пальцами в течение 15 секунд.

Для очистки и промывания устройства используйте **ТОЛЬКО** питьевую воду и никакую другую.

Дезинфицируйте изделие Provox Plug, если его извлекали, по крайней мере, один раз в день (рис. 11) при помощи одного из следующих методов:

- 70% р-р этанола в течение 10 минут
- 70% р-р изопропилового спирта в течение 10 минут
- 3% р-р перекиси водорода в течение 60 минут

ПРЕДОСТЕРЕЖЕНИЕ. НЕ очищайте и не дезинфицируйте изделие другими способами, так как это может привести к его повреждению или разрушению.

Если изделие Provox Plug выглядит грязным или было высушено на воздухе в месте с риском загрязнения изделия, перед использованием его необходимо очистить и продезинфицировать.

Риск загрязнения может существовать, если изделие упало на пол, находилось в контакте с домашним животным, использовалось человеком с респираторной инфекцией или попало в другой очаг сильного загрязнения.

Во время госпитализации важно и очищать, и дезинфицировать Provox Plug как после, так и до использования, так как в клинике повышен риск инфицирования и загрязнения изделия. В условиях клиники для очищения и промывания изделия предпочтительно использование стерильной, а не питьевой воды.

2.3 Утилизация

Всегда следуйте медицинской практике и национальным требованиям в отношении биологически опасных веществ при утилизации использованных медицинских устройств.

2.4 Уведомление

Обратите внимание, что о любых серьезных происшествиях с этим устройством необходимо сообщать производителю и в орган государственной власти той страны, в которой проживает пользователь и/или пациент.

1. 記述的情報

1.1 使用目的

Provox Plug (プロヴォックスプラグ) は、Provoxボイスプロテゼ、Provox2ボイスプロテゼ、Provox ActiValve (プロヴォックスActiValve) の内側の内腔を密閉することで、ボイスプロテゼから空気と流体の両方の漏出を防ぐためのものです。

1.2 製品説明

プロヴォックスプラグはボイスプロテゼからの漏れを一時的に止めるための救急ツールです。本製品はプロヴォックスボイスプロテゼの開口部に挿入されます。メダル端は、必要に応じて、皮膚にテープで固定することができます。

1.3 注意

プロヴォックスプラグは一人の患者のみに使用する製品です。他の患者に再使用すると、交差汚染が生じるおそれがあります。

2. 使用方法

2.1 使用方法

使用前にその都度ストラップを引いて、器具の完全性を確認してください (図1を参照)。製品の使用方法については図2~6を参照してください。

2.2 洗浄および消毒

プロヴォックスプラグは毎回使用後に、あるいは使用中に変更した時、次の方法 (図7~10) で洗浄してください。図8にあるように、指と指の間で15秒間器具をこすります。

器具の洗浄およびすすぎに飲料水以外の水を使用しないでください。

プロヴォックスプラグを外した時、少なくとも1日1回、次の方法 (図11) のいずれかで消毒をしてください。

- 70%エタノールに10分間浸す
- 70%イソプロピルアルコールに10分間浸す
- 過酸化水素 (3%) 水溶液に60分間浸す

注意: 指定以外の方法で洗浄/消毒を行わないでください。指定以外の方法で洗浄/消毒をした場合、製品を損傷し、患者に傷害を与えることがあります。プロヴォックスプラグの外観が汚れている場合、あるいは汚染の危険性がある場所で空気乾燥させた場合、器具を洗浄および消毒してから使用するようにしてください。次のようなケースでは器具の汚染の可能性があります: 床に落とした、ペットが器具に触れた、呼吸器感染を起こした人と接触した、その他のひどく汚れた物と接触した。

入院中は感染と器具の汚染の危険性が高まるため、プロヴォックスプラグの使用直後に洗浄および消毒し、使用前にもう一度洗浄と消毒を行うことが重要です。病院内での洗浄および洗い流しには、飲料水ではなく滅菌水を使用するようにしてください。

2.3 廃棄方法

使用済みの医療機器の廃棄は、必ず、地域のルールに従って行ってください。

2.4 報告

製品に関連して発生した重大な事故はすべて、使用者および/ または患者が居住している国の製造業者および国家当局に報告されますので、ご了承ください。

1. 제품 설명

1.1 사용목적

Provox Plug는 Provox 인공성대, Provox2 인공성대 및 Provox ActiValve의 내부 루멘을 밀봉하여 인공성대를 통한 공기와 유체의 누출을 막는 데 사용되는 장치입니다.

1.2 장치 설명

Provox Plug는 인공성대를 통한 누출을 임시로 차단하는 응급 처치 도구입니다. 이 장치는 Provox 인공성대 개구부에 삽입됩니다. 원하는 경우 메달리온 부분을 피부에 테이프로 부착할 수 있습니다.

1.3 주의 사항

Provox Plug는 1명의 환자에만 사용 가능합니다.
다른 환자에 재사용하면 교차 오염이 발생할 수 있습니다.

2. 사용 지침

2.1 작동 안내

매번 사용하기 전에 스트랩을 당겨 장치 무결성을 확인하십시오(그림 1 참조).
제품 사용 방법은 그림 2~6을 참조하십시오.

2.2 세척 및 소독

사용을 마친 후 또는 사용 중에 교환한 경우 그림 7~10에 따라 Provox Plug를 세척하십시오.
그림 8, 손가락 사이에 장치를 두고 15초 동안 문지릅니다.

식음수 이외의 물을 사용하여 장치를 세척하고 행구지 마십시오.
Provox Plug를 제거한 경우, 다음 방법 중 하나를 사용하여 하루에 한 번 이상 소독하십시오(그림 11).

- 10분 동안 에탄올 70%로
- 10분 동안 이소프로필알코올 70%로
- 60분 동안 과산화수소 3%로

주의: 제품이 손상되거나 부상을 입을 수 있으므로 다른 방법으로 세척하거나 소독하지 마십시오.
Provox Plug가 지저분해 보이거나 오염 위험이 있는 곳에서 대기 건조시킨 경우, 사용하기 전에 장치를 세척하고 소독해야 합니다.
장치가 바닥에 떨어지거나 반려동물, 호흡기 질환이 있는 사람, 기타 오염원에 닿은 경우에는 오염의 위험이 있을 수 있습니다.

입원 중에는 감염 및 오염의 위험이 높아지므로 사용 후 또는 사용 전에 Provox Plug를 세척하고 소독하는 것이 중요합니다. 병원에서는 식음수보다는 멸균수를 사용하여 세척하고 행구는 것이 좋습니다.

2.3 폐기

사용한 의료 장치를 폐기할 때에는 항상 생물학적 위험 물질에 관한 의료계 관행과 국가별 요구 사항을 준수하십시오.

2.4 보고

장치와 관련하여 발생한 심각한 사고는 제조업체와 사용자 및/또는 환자가거주하는 국가의 국가기관에 신고해야 합니다.

1. 說明資訊

1.1 預定用途

Provox Plug (Provox 塞子) 旨在密封 Provox 人工發聲瓣、Provox2 人工發聲瓣和 Provox ActiValve 的內腔，從而阻止空氣和液體經由人工發聲瓣外洩。

1.2 裝置說明

Provox Plug (Provox 塞子) 是一種急救工具，可暫時阻止物質經由人工發聲瓣外洩。該裝置會插入 Provox 人工發聲瓣的開口。若有需要，安全吊牌端可貼在皮膚上。

1.3 注意事項

Provox Plug (Provox 塞子) 僅供單一患者使用。
重複使用在其他患者身上可能引起交叉感染。

2. 使用說明

2.1 操作說明

每次使用前應試拉帶子確認完整無缺，請見圖 1。
有關產品使用說明，請參見圖 2~6。

2.2 清洗和消毒

每次使用後或在使用期間更換時，根據圖 7~10 清潔 Provox Plug (Provox 塞子)。
圖 8，在手指之間摩擦該裝置 15 秒。

不要使用飲用水以外的其他任何水來清洗和沖洗裝置。

若除下，每天至少一次使用下列方法之一對 Provox Plug (Provox 塞子) 進行消毒 (圖 11)：

- 用 70% 乙醇浸洗 10 分鐘
- 用 70% 異丙醇浸洗 10 分鐘
- 用 3% 過氧化氫浸洗 60 分鐘

注意：請勿採用其他方法進行清洗和消毒，否則可能導致產品損壞或患者受傷。

如果 Provox Plug (Provox 塞子) 外觀髒污或者局部有污染物風乾跡象，那麼，在使用 Provox Plug (Provox 塞子) 之前，應先進行清洗和消毒。

若裝置掉到地上，與寵物或呼吸道受感染的病患接觸，或遭受任何其他東西污染，該裝置便會有受到染污的風險。

在住院治療期間，使用 Provox Plug (Provox 塞子) 前後，都應對其進行清洗和消毒，因為被感染和受污染的風險較高。在醫院中，最好不要使用飲用水而使用無菌水進行清洗和沖洗。

2.3 丟棄

丟棄使用過的醫療裝置時，請遵照生物危害相關醫療實踐與國家規範。

2.4 回報

請注意，與裝置相關的任何嚴重事件均應回報給使用者和/患者所在國家/地區的製造商和政府當局。

1. معلومات وصفية

1.1 الاستخدام المخصص

إن قابس Provox Plug مخصص لإغلاق التجويف الداخلي للأعضاء الصوتية الاصطناعية Provox والأعضاء الصوتية الاصطناعية Provox2 و Provox ActiValve ومن ثم إيقاف تسرب كل من الهواء والسوائل إلى العضو الصوتي الاصطناعي.

1.2 وصف الجهاز

قابس Provox Plug عبارة عن أداة إسعافات أولية لإيقاف التسرب إلى العضو الصوتي الاصطناعي مؤقتًا. يتم إدخال الجهاز في فتحة العضو الصوتي الاصطناعي Provox. يمكن لصق طرف الميدالية بالجلد إذا كانت هناك رغبة في ذلك.

1.3 احتياطات

تم تصميم قابس Provox Plug للاستعمال من قِبَل مريض واحد فقط. قد يؤدي تكرار الاستخدام مع مريض آخر إلى التلوث بالاختلاط.

2. تعليمات الاستخدام

2.1 تعليمات التشغيل

افحص سلامة الجهاز قبل كل استخدام عبر سحب الشريط، راجع الشكل 1. للحصول على تعليمات حول كيفية استخدام المنتج، يُرجى مراجعة الشكل 2-6.

2.2 التنظيف والتعقيم

نظف قابس Provox Plug بعد كل استخدام أو إذا تغير أثناء الاستخدام وفقًا للشكل 7-10. الشكل 8، افرك الجهاز بين أصابعك لمدة 15 ثانية.

لا تستخدم أي ماء غير ماء الشرب لتنظيف الجهاز وشطفه. عقم قابس Provox Plug مرة واحدة يوميًا على الأقل إن نزع (الشكل 11) بإحدى الوسائل التالية:

- إيثانول بتركيز 70% لمدة 10 دقائق
- كحول أيزوبروبيلي بتركيز 70% لمدة 10 دقائق
- بيروكسيد الهيدروجين بتركيز 3% لمدة 60 دقيقة

تنبيه: لا تُنظف الجهاز أو تعقمه بأي وسيلة أخرى، حيث قد يؤدي هذا إلى تلف المنتج والتعرض للإصابة. إذا بدا قابس Provox Plug متسخًا أو جف بالهواء في منطقة معرضة لخطر التلوث، فيجب تنظيف الجهاز وتعقيمه قبل الاستخدام. قد يكون خطر التلوث قائمًا في حالة سقوط الجهاز على الأرض، أو إذا كان قد لامس حيوانًا أليفًا، أو شخصًا يعاني التهابًا رئويًا، أو أي تلوث جسيم آخر.

أثناء الإقامة في المستشفى، من الضروري تنظيف قابس Provox Plug وتعقيمه بعد الاستخدام، ولكن قبل الاستخدام أيضًا بسبب وجود خطر متزايد للإصابة بالعدوى والتلوث. في المستشفى، يكون من الأفضل استخدام ماء معقم للتنظيف والشطف بدلًا من ماء الشرب.

2.3 طريقة التخلص

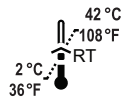
احرص دائمًا على اتباع الممارسات الطبية والمتطلبات الوطنية المتعلقة بالخطر البيولوجي عند التخلص من جهاز طبي مستعمل.

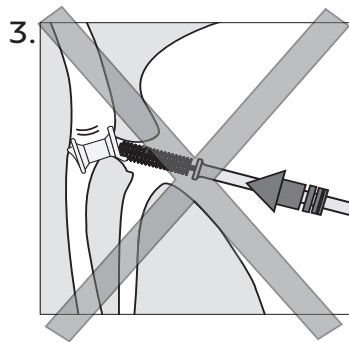
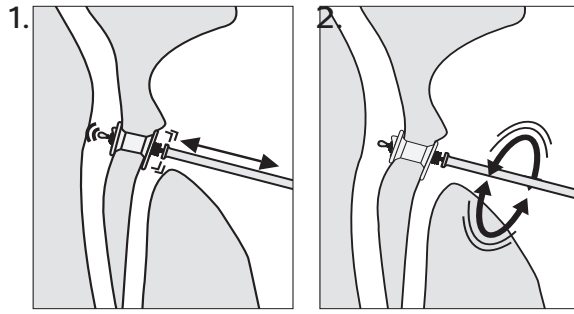
2.4 الإبلاغ

يُرجى ملاحظة أنه يجب إبلاغ الشركة المُصنّعة والسلطة الوطنية بالبلد الذي يقيم فيه المستخدم و/أو المريض بأي حادث خطير يقع في ما يتعلق بالجهاز.

PROVOX

ActiValve Lubricant





Contents

EN - ENGLISH.....	142
DE - DEUTSCH.....	143
NL - NEDERLANDS.....	144
FR - FRANÇAIS.....	145
IT - ITALIANO.....	146
ES - ESPAÑOL.....	147
PT - PORTUGUÊS.....	148
SV - SVENSKA.....	149
DA - DANSK.....	150
NO - NORSK.....	151
FI - SUOMI.....	152
IS - ÍSLENSKA.....	153
HU - MAGYAR.....	154
PL - POLSKI.....	155
HR - HRVATSKI.....	156
EL - ΕΛΛΗΝΙΚΑ.....	157
TR - TÜRKÇE.....	158
RU - РУССКИЙ.....	159
JA - 日本語.....	160
KO - 한국어.....	161
ZHTW - 繁體中文.....	162
AR - العربية.....	163

Indications for use

For use with Provox ActiValve only.

Lubricating the inner lumen of the Provox ActiValve prosthesis helps to prevent sticking of the valve that might otherwise occur e.g. after sleep.

Instructions for use

Once a day, after cleaning in the morning, lubricate the inner lumen of the Provox ActiValve prosthesis with one drop of Provox ActiValve Lubricant using a different Provox Brush. See illustrations.

Do not put more than one drop on the brush. Avoid touching the brush with the ActiValve Lubricant bottle when dispensing a drop. Be patient when squeezing the lubricant bottle. The lubricant bottle releases the thick silicone oil very slowly. If you get Provox ActiValve Lubricant on your skin wash it off with soap and water.

After use clean the brush according to the Instructions for use that accompanies the Provox Brush.

The ActiValve Lubricant can be used until expiration date or 8 months after opening the bottle, whichever occurs first. Register the date of opening on the bottle using a water resistant permanent marking pen.

Note: Avoid touching the stomal mucosa with the brush during application of the Provox ActiValve Lubricant.

Incidental ingestion of small amounts of Provox ActiValve Lubricant is harmless. Incidental aspiration of small amounts of Provox ActiValve Lubricant is also harmless, but may cause coughing.

No health problems have been reported regarding repeated aspiration of small amounts of silicone oil, but it is still better to be cautious and avoid it. Use only one drop of Provox ActiValve Lubricant each time and make sure that any superfluous silicone oil is removed before using the brush (no dripping brush).

Disposal

Always follow medical practice and national requirements regarding biohazards when disposing of a used medical device.

CAUTION:

- Overuse of the lubricant in quantity or frequency can result in severe coughing, pneumonia or serious breathing problems.
- Do not apply the Provox ActiValve Lubricant directly from the bottle to the prosthesis since this could deposit the liquid in the lungs and cause severe coughing, pneumonia or serious breathing problems.
- Do not enlarge the bottle opening of the Provox ActiValve Lubricant.
- Keep the Provox ActiValve Lubricant out of reach of children and pets that may be harmed by inhaling or swallowing it.

Reporting

Please note that any serious incident that has occurred in relation to the device shall be reported to the manufacturer and the national authority of the country in which the user and/or patient resides.

Indikationen

Nur zur Verwendung mit Provox ActiValve.

Den Innenraum der Provox ActiValve Prothese mit Gleitgel zu schmieren trägt dazu bei, ein Verkleben des Ventils (wie z.B. nach dem Schlaf) zu verhindern.

Gebrauchsanweisung

Schmieren Sie den Innenraum der Provox ActiValve Prothese einmal am Tag nach der Reinigung am Morgen mit einem Tropfen Provox ActiValve Lubricant (Gleitgel). Verwenden Sie hierzu eine separate Provox Brush (Bürste). Siehe Abbildungen.

Geben Sie nicht mehr als einen Tropfen auf die Bürste. Achten Sie bei der Abgabe des Tropfens darauf, dass das ActiValve Lubricant (Gleitgel) Fläschchen die Bürste nicht berührt. Gehen Sie beim Drücken des Gleitgelfläschchens beharrlich vor. Das Gleitgelfläschchen gibt das dickflüssige Silikonöl sehr langsam ab. Falls Provox ActiValve Lubricant (Gleitgel) auf Ihre Haut gelangt, waschen Sie es mit Seife und Wasser ab.

Nach dem Gebrauch reinigen Sie die Bürste gemäß der Gebrauchsanweisung, die der Provox Brush (Bürste) beiliegt.

ActiValve Lubricant (Gleitgel) kann bis zum Verfallsdatum oder 8 Monate nach erstmaligem Öffnen des Fläschchens benutzt werden, je nachdem, was zuerst eintritt. Vermerken Sie das Datum der ersten Öffnung mit einem wasserfesten Filzstift auf dem Fläschchen.

Hinweis: Achten Sie darauf, dass Sie während der Anwendung des Provox ActiValve Lubricant (Gleitgel) die Stomaschleimhaut nicht mit der Bürste berühren.

Ein versehentliches Verschlucken einer geringen Menge Provox ActiValve Lubricant (Gleitgel) ist unbedenklich. Auch ist ein versehentliches Einatmen einer geringen Menge Provox ActiValve Lubricant (Gleitgel) unbedenklich, kann jedoch Husten auslösen.

Wenngleich keine gesundheitlichen Probleme aufgrund der wiederholten Einatmung geringer Silikonölmengen gemeldet wurden, ist dennoch Vorsicht geboten und die Einatmung des Öls zu vermeiden. Verwenden Sie jedes Mal nur einen Tropfen Provox ActiValve Lubricant (Gleitgel) und stellen Sie sicher, dass Sie überschüssiges Silikonöl entfernen, bevor Sie die Bürste benutzen (die Bürste darf nicht tropfen).

Entsorgung

Bei der Entsorgung von benutzten Medizinprodukten immer die medizinische Praxis sowie die Vorschriften für biologisch gefährliches Material des jeweiligen Landes befolgen.

ACHTUNG:

- Eine übermäßige Verwendung des Gleitgels in Menge und Häufigkeit kann starke Hustenanfälle, eine Lungenentzündung oder ernsthafte Atemprobleme zur Folge haben.
- Tragen Sie das Provox ActiValve Lubricant (Gleitgel) nicht direkt mit dem Fläschchen auf die Prothese auf. Dadurch könnte sich die Flüssigkeit in der Lunge ablagern und starke Hustenanfälle, eine Lungenentzündung oder ernsthafte Atemprobleme auslösen.
- Die Öffnung des Provox ActiValve Lubricant (Gleitgel) Fläschchens darf nicht vergrößert werden.
- Bewahren Sie das Provox ActiValve Lubricant (Gleitgel) für Kinder und Haustiere unzugänglich auf, da Verletzungen durch Einatmen oder Verschlucken möglich sind.

Meldung

Bitte beachten Sie, dass alle schwerwiegenden Vorfälle, die sich im Zusammenhang mit dem Produkt ereignet haben, dem Hersteller sowie den nationalen Behörden des Landes gemeldet werden müssen, in dem der Benutzer und/oder der Patient ansässig ist.

Indicaties voor gebruik

Uitsluitend voor gebruik met Provox ActiValve.

Door het binnenlumen van de Provox ActiValve prothese te smeren, wordt voorkomen dat de klep plakkerig wordt, bijvoorbeeld na het slapen.

Gebruiksaanwijzing

Smeer eenmaal daags, na reiniging in de ochtend, met een andere Provox Brush (borstel) het binnenlumen van de Provox ActiValve prothese met een druppel Provox ActiValve Lubricant (glijmiddel). Zie de afbeeldingen.

Breng nooit meer dan één druppel aan op de borstel. Raak het flesje ActiValve Lubricant niet aan met de borstel tijdens het doseren van een druppel. Wees geduldig bij het knijpen in het flesje glijmiddel. De dikke siliconenolie komt heel langzaam uit het flesje glijmiddel. Als Provox ActiValve Lubricant op uw huid komt, moet u het glijmiddel goed wegwassen met water en zeep.

Reinig de borstel na gebruik volgens de gebruiks-aanwijzing die bij de Provox Brush wordt meegeleverd.

De ActiValve Lubricant kan worden gebruikt tot aan de vervaldatum of, zo eerder, tot 8 maanden nadat het flesje is geopend. Noteer de datum waarop het flesje is geopend, met een waterbestendige permanente markeerstift op het flesje.

Opmerking: Raak het slijmvlies in de stoma niet aan met de borstel tijdens het aanbrengen van de Provox ActiValve Lubricant.

Per ongeluk inslikken van kleine hoeveelheden Provox ActiValve Lubricant is onschadelijk. Per ongeluk inademen van kleine hoeveelheden Provox ActiValve Lubricant is eveneens onschadelijk, maar kan leiden tot hoesten.

Er zijn geen gezondheidsproblemen gemeld in verband met herhaald inademen van kleine hoeveelheden siliconenolie, maar het is toch beter om voorzichtig te zijn en dit te voorkomen. Gebruik één druppel olie per keer en zorg dat alle overtollige siliconenolie is verwijderd voordat u de borstel gebruikt (geen druipende borstel).

Afvoer

Volg bij het afvoeren van een gebruikt medisch hulpmiddel altijd de medische praktijk en nationale voorschriften met betrekking tot biologisch gevaar.

LET OP:

- Overmatig gebruik van het glijmiddel in hoeveelheid of frequentie kan tot zwaar hoesten, longontsteking of ernstige ademhalingsproblemen leiden.
- Breng de Provox ActiValve Lubricant niet direct vanuit het flesje op de prothese aan, omdat de vloeistof hierdoor in de longen kan komen en ernstig hoesten, longontsteking of ernstige ademhalingsproblemen kan veroorzaken.
- Maak de opening van het flesje Provox ActiValve Lubricant niet wijder.
- Houd de Provox ActiValve Lubricant buiten het bereik van kinderen en huisdieren, die letsel kunnen oplopen door het glijmiddel in te ademen of in te slikken.

Meldingen

Let op: elk ernstig incident dat zich in verband met het hulpmiddel heeft voorgedaan, moet worden gemeld aan de fabrikant en de nationale autoriteit van het land waar de gebruiker en/of de patiënt woont.

Indications d'emploi

À utiliser uniquement avec Provox ActiValve.

La lubrification de la lumière interne de la prothèse phonatoire Provox ActiValve empêche à la valve de coller, ce qui arrive parfois après une nuit de sommeil.

Mode d'emploi

Une fois par jour après le nettoyage matinal, lubrifiez la lumière interne de la prothèse phonatoire Provox ActiValve avec une goutte de lubrifiant Provox ActiValve, en utilisant une brosse Provox Brush différente. Reportez-vous aux illustrations.

Ne mettez pas plus d'une goutte sur la brosse. Évitez de toucher la brosse avec le flacon de lubrifiant ActiValve lorsque vous déposez la goutte. Soyez patient quand vous pressez le flacon de lubrifiant. Le flacon de lubrifiant distribue l'huile de silicone épaisse très lentement. Si vous mettez du lubrifiant Provox ActiValve sur votre peau, lavez la région au savon et à l'eau.

Après l'utilisation, nettoyez la brosse conformément au mode d'emploi qui accompagne la brosse Provox Brush.

Le lubrifiant ActiValve peut être utilisé jusqu'à la date de péremption ou pendant 8 mois à compter de l'ouverture du flacon, selon l'échéance la plus courte. Consignez la date d'ouverture sur le flacon avec un stylo indélébile résistant à l'eau.

Remarque : Évitez de toucher la muqueuse du trachéostome avec la brosse pendant l'application du lubrifiant Provox ActiValve.

L'ingestion accidentelle de petites quantités de lubrifiant Provox ActiValve est sans danger. L'aspiration accidentelle de petites quantités de lubrifiant Provox ActiValve est aussi sans danger, mais peut provoquer une toux.

Aucun problème de santé n'a été rapporté suite à l'aspiration répétée de petites quantités d'huile de silicone, mais il est néanmoins préférable de faire attention et de l'éviter. N'utilisez qu'une goutte de lubrifiant Provox ActiValve chaque fois et assurez-vous d'éliminer tout excès d'huile de silicone avant d'utiliser la brosse (celle-ci ne doit pas s'égoutter).

Élimination

Respectez toujours la pratique médicale et les réglementations nationales concernant les risques biologiques lorsque vous mettez un dispositif médical au rebut.

ATTENTION :

- Une utilisation excessive du lubrifiant, que ce soit en quantité ou en fréquence, peut produire une toux grave, une pneumonie ou des difficultés respiratoires graves.
- N'appliquez pas le lubrifiant Provox ActiValve directement avec le flacon sur la prothèse, car cela risque de faire pénétrer le liquide dans les poumons et de provoquer une toux grave, une pneumonie ou de graves problèmes respiratoires.
- N'élargissez pas l'ouverture du flacon de lubrifiant Provox ActiValve.
- Conservez le lubrifiant Provox ActiValve hors de portée des enfants et des animaux domestiques, en raison du risque que présenterait son inhalation ou ingestion.

Signalement

Noter que tout incident grave survenu en relation avec le dispositif doit être signalé au fabricant et à l'autorité nationale du pays dans lequel l'utilisateur et/ou le patient résident.

Indicazioni per l'uso

Da utilizzarsi solo con la protesi Provox ActiValve.

La lubrificazione del lume interno della protesi Provox ActiValve aiuta a prevenire l'adesione della valvola che potrebbe altrimenti manifestarsi, ad esempio, dopo il riposo notturno.

Istruzioni per l'uso

Una volta al giorno, dopo la pulizia mattutina, lubrificare il lume interno della protesi Provox ActiValve con una goccia di lubrificante Provox ActiValve utilizzando uno spazzolino Provox Brush. Vedere le illustrazioni. Non applicare più di una goccia sullo spazzolino. Durante l'erogazione della goccia, evitare di toccare lo spazzolino con il flacone di lubrificante ActiValve. Il flacone di lubrificante va spremuto con pazienza; il denso olio di silicone fuoriesce dal flacone molto lentamente. In caso di contatto del lubrificante Provox ActiValve con la pelle, lavarla con acqua e sapone.

Dopo l'uso, pulire lo spazzolino seguendo le Istruzioni per l'uso che accompagnano lo spazzolino Provox Brush.

Il lubrificante ActiValve può essere utilizzato fino alla data di scadenza o entro 8 mesi dall'apertura del flacone, a seconda di quale evenienza si verifichi per prima. Registrare la data di apertura sul flacone usando un pennarello indelebile e resistente all'acqua.

Nota – Evitare di toccare la mucosa stomale con lo spazzolino durante l'applicazione del lubrificante Provox ActiValve.

L'ingestione accidentale di piccole quantità di lubrificante Provox ActiValve è innocua. Anche l'aspirazione accidentale di piccole quantità di lubrificante Provox ActiValve è innocua, ma può innescare attacchi di tosse.

Sebbene non sia stato segnalato alcun problema di salute in relazione alla ripetuta aspirazione di piccole quantità di olio al silicone, è comunque opportuno evitare che ciò accada. Usare una sola goccia di lubrificante Provox ActiValve alla volta e accertarsi che eventuali tracce di olio al silicone superfluo siano rimosse prima di usare lo spazzolino (che non deve gocciolare).

Smaltimento

Attenersi sempre alle pratiche mediche e alle normative nazionali sui materiali biopericolosi per lo smaltimento di un dispositivo medico usato.

ATTENZIONE:

- L'uso del lubrificante in quantità o con frequenza eccessive può causare tosse severa, polmonite e gravi problemi respiratori.
- Non applicare il lubrificante Provox ActiValve direttamente dal flacone sulla protesi, in quanto il liquido potrebbe depositarsi nei polmoni causando tosse severa, polmonite o gravi problemi respiratori.
- Non allargare l'apertura del flacone del lubrificante Provox ActiValve.
- Tenere il lubrificante Provox ActiValve fuori dalla portata di bambini e animali, in quanto rappresenta una potenziale fonte di pericolo in caso di inalazione o ingestione.

Segnalazioni

Si prega di notare che qualsiasi incidente grave verificatosi in relazione al dispositivo deve essere segnalato al fabbricante e all'autorità nazionale del Paese in cui risiede l'utilizzatore e/o il paziente.

Indicaciones de uso

Para uso solamente con Provox ActiValve.

La lubricación del lumen interior de la prótesis Provox ActiValve ayuda a prevenir la adhesión de la válvula que si no podría producirse, por ejemplo, después de dormir.

Instrucciones de uso

Una vez al día, después de limpiar la prótesis Provox ActiValve por la mañana, lubrique el lumen interior con una gota de lubricante Provox ActiValve Lubricant usando un cepillo Provox Brush diferente. Véase las ilustraciones.

No ponga más de una gota en el cepillo. Al dispensar la gota, evite tocar el cepillo con el frasco de lubricante ActiValve. Sea paciente al oprimir el frasco de lubricante. El aceite de silicona es denso y sale muy despacio del frasco de lubricante. Si le cae lubricante Provox ActiValve Lubricant en la piel, lávese con jabón y agua para eliminarlo.

Después de usarlo, limpie el cepillo de acuerdo con las Instrucciones de uso que acompañan al cepillo Provox Brush.

El lubricante ActiValve puede utilizarse hasta la fecha de caducidad o por un período de 8 meses después de abrir el frasco, lo que suceda primero. Anote la fecha en que abrió el frasco con un rotulador de tinta permanente resistente al agua.

Nota: Evite tocar la mucosa del estoma con el cepillo durante la aplicación del lubricante Provox ActiValve Lubricant.

La ingestión incidental de pequeñas cantidades de lubricante Provox ActiValve Lubricant es inocua. La aspiración incidental de pequeñas cantidades de lubricante Provox ActiValve Lubricant es también inocua, pero puede causar tos.

No se ha informado de problemas de salud en relación con la aspiración repetida de pequeñas cantidades de aceite de silicona, pero es preferible si cabe actuar con precaución y evitarlo. Utilice solamente una gota de lubricante Provox ActiValve Lubricant cada vez y asegúrese de eliminar cualquier cantidad de aceite de silicona superflua antes de usar el cepillo (el cepillo no debe gotear).

Eliminación

Al desechar un dispositivo médico usado, siga siempre la práctica médica y los requisitos nacionales sobre peligros biológicos.

PRECAUCIÓN:

- El uso excesivo de lubricante en cantidad o frecuencia puede producir tos grave, neumonía o serios problemas respiratorios.
- No aplique el lubricante Provox ActiValve Lubricant directamente desde el frasco a la prótesis ya que, si lo hace, el líquido podría depositarse en los pulmones y causar tos grave, neumonía o serios problemas respiratorios.
- No agrande la abertura del frasco de lubricante Provox ActiValve Lubricant.
- Mantenga el lubricante Provox ActiValve Lubricant fuera del alcance de los niños y las mascotas para quienes la inhalación o la ingestión pueden resultar nocivas.

Notificación

Tenga en cuenta que cualquier incidente grave que se haya producido en relación con el dispositivo se comunicará al fabricante y a la autoridad nacional del país en el que resida el usuario y/o el paciente.

Indicações de Utilização

Para utilização exclusiva com a Provox ActiValve.

A lubrificação do lúmen interior da prótese Provox ActiValve ajuda a prevenir o encravamento da válvula que, pode ocorrer, p. ex., após o sono.

Instruções de Utilização

Uma vez por dia, após a limpeza matinal, lubrifique o lúmen interior da prótese Provox ActiValve com uma gota de Provox ActiValve Lubricant utilizando uma escova Provox Brush diferente. Ver as ilustrações. Não coloque mais do que uma gota na escova. Quando aplicar a gota, evite tocar na escova com o frasco de ActiValve Lubricant. Tenha paciência ao apertar o frasco de lubrificante. O frasco de lubrificante liberta o óleo de silicone espesso muito lentamente. Se entornar na pele for contaminada com Provox ActiValve Lubricant, lave-a com água e sabão.

Após a utilização, limpe a escova de acordo com as Instruções de Utilização que acompanham a Provox Brush.

O ActiValve Lubricant pode ser utilizado até à data de validade ou 8 meses após a abertura do frasco, o que ocorrer primeiro. Escreva a data de abertura no frasco utilizando um marcador de tinta permanente à prova de água.

Nota: Evite tocar na mucosa do estoma com a escova durante a aplicação do Provox ActiValve Lubricant.

A ingestão acidental de pequenas quantidades de Provox ActiValve Lubricant não é nociva. A aspiração acidental de pequenas quantidades de Provox ActiValve Lubricant também não é nociva, mas pode provocar tosse.

Não há relatos de problemas de saúde associados à aspiração repetida de pequenas quantidades de óleo de silicone, mas o melhor é ter cuidado e evitá-la. Aplique apenas uma gota de Provox ActiValve Lubricant de cada vez e certifique-se de que elimina todo o óleo de silicone supérfluo antes de utilizar a escova (a escova não deve pingar).

Eliminação

Cumpra sempre os requisitos nacionais e de medicina geral em matéria de perigos biológicos ao eliminar um dispositivo médico usado

CUIDADO:

- Uma quantidade ou frequência excessivas de lubrificante podem provocar tosse grave, pneumonia ou graves problemas respiratórios.
- Não aplique Provox ActiValve Lubricant directamente do frasco sobre a prótese pois pode provocar depósitos de líquido nos pulmões e causar tosse grave, pneumonia ou graves problemas respiratórios.
- Não alargue a abertura do frasco do Provox ActiValve Lubricant.
- Mantenha o Provox ActiValve Lubricant fora do alcance das crianças e dos animais de estimação, que podem sofrer as consequências da inalação ou da ingestão.

Comunicação de incidentes

Tenha em atenção que qualquer incidente grave que tenha ocorrido, relacionado com o dispositivo, deve ser comunicado ao fabricante e à autoridade nacional do país onde o utilizador e/ou o paciente residem.

Indikationer för användning

Avsedd att användas endast tillsammans med Provox ActiValve.

Att smörja insidan på Provox ActiValve röstventil hjälper till att förhindra tillfällig blockering av ventillocket, vilket annars kan inträffa t.ex. efter sömn.

Bruksanvisning

Smörj Provox ActiValve-ventilens innerlumen en gång om dag, efter morgonrengöringen, med en droppe Provox ActiValve Lubricant (smörjmedel) och en ny Provox Brush (rengöringsborste). Se bilderna.

Applicera inte mer än en droppe på borsten. Undvik att låta borsten komma i kontakt med flaskan till ActiValve Lubricant vid dosering av droppen. Ha tålmod när du klämmer på smörjmedelsflaskan. Smörjmedelsflaskan släpper ut den tjocka silikonoljan mycket långsamt. Om du får Provox ActiValve Lubricant (smörjmedel) på huden ska du tvätta bort det med tvål och vatten.

Efter användning ska borsten rengöras enligt den bruksanvisning som medföljde Provox Brush (rengöringsborste).

ActiValve Lubricant (smörjmedel) kan användas fram till utgångsdatumet eller 8 månader efter att flaskan har öppnats, det av dessa två som inträffar först. Anteckna öppningsdatumet på flaskan, med en vattenfast, beständig märkpenna.

Obs! Undvik att vidröra slemhinnan i stomat med borsten under appliceringen av Provox ActiValve Lubricant (smörjmedel).

Oavsiktlig sväljning av små mängder Provox ActiValve Lubricant (smörjmedel) är ofarligt. Oavsiktlig inandning av små mängder Provox ActiValve Lubricant (smörjmedel) är också ofarligt, men kan orsaka hosta.

Inga hälsoproblem har rapporterats om upprepad inandning av små mängder silikonolja, men det är ändå säkrast att vara försiktig och undvika detta. Använd endast en droppe Provox ActiValve Lubricant (smörjmedel) per gång och se till att all eventuell överflödigt silikonolja torkas av innan borsten används (borsten får inte droppa).

Kassering

Följ alltid medicinsk praxis och nationella krav rörande biologiska risker vid kassering av en använd medicinteknisk anordning.

VAR FÖRSIKTIG:

- Överanvändning av smörjmedlet, med hänsyn till mängd eller frekvens, kan orsaka svår hosta, lunginflammation eller allvarliga andningssvårigheter.
- Applicera inte Provox ActiValve Lubricant (smörjmedel) direkt från flaskan på röstventilen eftersom det kan leda till att vätskan kommer ner i lungorna, vilket kan orsaka svår hosta, lunginflammation eller allvarliga andningssvårigheter.
- Förstora inte flasköppningen på flaskan med Provox ActiValve Lubricant (smörjmedel).
- Förvara Provox ActiValve Lubricant (smörjmedel) utom räckhåll för barn och husdjur som kan skadas genom att inandas eller svälja det.

Rapportering

Observera att varje allvarlig incident som har inträffat i förhållande till produkten ska rapporteras till tillverkaren och den nationella myndigheten i det land där användaren och/eller patienten är bosatt.

Indikationer

Kun til brug med Provox ActiValve.

Smøring af det indvendige hulrum i Provox ActiValve protesen hjælper med at forhindre, at ventilen klæber, hvilket ellers kan forekomme, f.eks. efter søvn.

Brugsanvisning

Smør det indvendige hulrum i Provox ActiValve protesen én gang dagligt, efter rengøring om morgenen, med én dråbe Provox ActiValve Lubricant smøremiddel med brug af en anden Provox Brush børste. Se illustrationerne.

Påfør ikke mere end én dråbe på børsten. Undgå at berøre børsten med ActiValve Lubricant flasken, når en dråbe dispenserer. Hav tålmodighed, når du klemmer flasken med smøremiddel. Den tykke silikoneolie kommer meget langsomt ud af flasken med smøremiddel. Hvis du får Provox ActiValve Lubricant smøremiddel på huden, skal du vaske huden med sæbe og vand.

Efter brug renses børsten i henhold til brugsanvisningen, der følger med Provox Brush børsten.

ActiValve Lubricant smøremiddel kan bruges indtil udløbsdatoen eller 8 måneder efter åbning af flasken, alt efter hvad der kommer først. Notér åbningsdatoen på flasken med en vandbestandig permanent tuschpen.

Bemærk: Undgå at berøre slimhinden i stomaet med børsten under påføring af Provox ActiValve Lubricant smøremiddel.

Utilsigtet indtagelse af små mængder af Provox ActiValve Lubricant smøremiddel er uskadelig. Utilsigtet aspiration af små mængder af Provox ActiValve Lubricant smøremiddel er også uskadelig, men kan forårsage hoste.

Der er ikke rapporteret om helbredsproblemer i forbindelse med gentagen aspiration af små mængder silikoneolie, men det er stadig bedre at være forsigtig og undgå det. Brug kun én dråbe Provox ActiValve Lubricant smøremiddel hver gang og sørg for, at eventuel overskydende olie fjernes, inden børsten bruges (ingen dryppende børste).

Bortskaffelse

Følg altid medicinsk praksis og nationale krav vedrørende biologisk farligt affald ved bortskaffelse af en brugt medicinsk anordning.

FORSIGTIG:

- Overdreven brug af smøremidlet i mængde eller hyppighed kan resultere i alvorlig hoste, lungebetændelse eller alvorlige vejrtrækningsproblemer.
- Påfør ikke Provox ActiValve Lubricant smøremiddel direkte fra flasken og på protesen, da væsken kan trænge ind i lungerne og medføre alvorlig hoste, lungebetændelse eller alvorlige vejrtrækningsproblemer.
- Provox ActiValve Lubricant smøremidlets flaskeåbning må ikke gøres større.
- Provox ActiValve Lubricant smøremiddel skal opbevares utilgængeligt for børn og kæledyr, som kan komme til skade, hvis de indånder eller synker dem.

Rapportering

Bemærk, at enhver alvorlig hændelse, der er opstået i relation til enheden, skal indberettes til fabrikanten og den nationale myndighed i det land, hvor brugeren og/eller patienten opholder sig.

Bruksindikasjoner

Skal bare brukes med Provox ActiValve.

Smøring av innvendig lumen på Provox ActiValve-protese bidrar til å hindre at ventilen kleber seg. Dette kan ellers forekomme, for eksempel etter søvn.

Bruksinstruksjoner

Den innvendige lumenen på Provox ActiValve-protesen skal smøres én gang om dagen etter morgenrengjøringen, med én dråpe Provox ActiValve smøremiddel. Bruk alltid en ny Provox-børste. Se illustrasjonene.

Ikke påfør mer enn én dråpe på børsten. Unngå å berøre børsten med ActiValve smøremiddelflaske når du presser ut en dråpe. Vær tålmodig når du klemmer på smøremiddelflasken. Smøremiddelflasken avgir den tykke silikonoljen svært langsomt. Hvis du får Provox ActiValve smøremiddel på huden, kan du vaske det av med såpe og vann.

Etter bruk skal børsten rengjøres i samsvar med brukerinstruksjonene som følger med Provox-børsten.

ActiValve smøremiddel kan brukes inntil utløpsdatoen, eller 8 måneder etter at flasken ble åpnet, det som kommer først gjelder. Noter åpningsdatoen på flasken. Bruk en vannmotstandig, permanent merkepenning.

Merk: Unngå å berøre stomale mucosa med børsten når Provox ActiValve smøremiddel påføres.

Utsiktet inntak av små mengder Provox ActiValve smøremiddel er uskadelig. Utsiktet aspirasjon av små mengder Provox ActiValve smøremiddel er også uskadelig, men kan forårsake hosting.

Ingen helseproblemer har blitt rapportert i forbindelse med gjentatt aspirasjon av små mengder silikonolje, men det er likevel best å være forsiktig og unngå dette. Bruk bare én dråpe Provox ActiValve smøremiddel hver gang, og påse at eventuell overflødig silikonolje fjernes før børsten tas i bruk (det skal ikke dryppe fra børsten).

Avhending

Følg alltid medisinsk praksis og nasjonale krav angående biologiske farer når en brukt medisinsk anordning skal avhendes.

OBS!

- Overdreven bruk av smøremiddelet, i store mengder eller altfor ofte, kan forårsake sterk hoste, lungebetennelse eller alvorlige pusteproblemer.
- Provox ActiValve smøremiddel skal ikke påføres direkte fra flasken til protesen, da dette kan avsette væske i lungene og forårsake sterk hoste, lungebetennelse eller alvorlige pusteproblemer.
- Flaskeåpningen på Provox ActiValve smøremiddel skal ikke utvides.
- Oppbevar Provox ActiValve smøremiddel utilgjengelig for barn og kjaeledyr som kan skades ved å inhalere eller svelge produktet.

Rapportering

Vær oppmerksom på at enhver alvorlig hendelse som har oppstått i forbindelse med enheten, skal rapporteres til produsenten og nasjonale myndigheter i landet der brukeren og/eller pasienten bor.

Käyttötarkoitus

Saa käyttää vain Provox ActiValven kanssa.

Provox ActiValve -proteesin sisäpinnan voitelu auttaa estämään venttiilin tarttumisen, jota voi tapahtua esim. nukkumisen jälkeen.

Käyttöohjeet

Voitele Provox ActiValve -proteesin sisäpinta joka aamu puhdistuksen jälkeen yhdellä tipalla Provox ActiValve -liukastusainetta käyttäen eri Provox-harjaa. Katso kuvia.

Älä laita liukastetta harjalle yhtä tippaa enempää. Vältä koskettamasta harjalla ActiValve-liukastusainepulloa, kun annostelet tippaa. Ole kärsivällinen liukastusainepulloa puristaessasi. Paksu silikoniöljy tulee ulos liukastusainepullosta hyvin hitaasti. Jos Provox ActiValve -liukastusainetta joutuu ihollesi, pese se pois saippualla ja vedellä.

Puhdista Provox-harja käytön jälkeen sen mukana tulleiden ohjeiden mukaisesti.

ActiValve-liukastusainetta voidaan käyttää viimeiseen käyttöpäivään asti tai 8 kuukautta pullon avaamisen jälkeen riippuen siitä kumpi näistä täytyy ensin. Merkitse pullon avaamispäivämäärä vedenkestävällä huopakynällä.

Huomautus: Vältä koskettamasta stooman limakalvoa harjalla Provox ActiValve -liukastusaineen levittämisen yhteydessä.

Pienten Provox ActiValve -liukastusainemäärien satunnainen nieleminen on vaaratonta. Myös pienten Provox ActiValve -liukastusainemäärien satunnainen henkeen vetäminen on vaaratonta, mutta voi aiheuttaa yskää.

Pienten silikoniöljymäärien toistuvasta henkeen vetämisestä ei ole raportoitu aiheutuneen terveysongelmia, mutta on silti hyvä olla varovainen ja välttää sitä. Käytä vain yksi tippa Provox ActiValve -liukastusainetta kerrallaan ja varmista, että ylimääräinen silikoniöljy poistetaan, ennen kuin käytät harjaa (harjasta ei saa tippua öljyä).

Hävittäminen

Noudata aina lääketieteellistä käytäntöä ja biovaarallisia aineita koskevia kansallisia vaatimuksia lääkinnällistä laitetta hävitettäessä.

VAROITUS:

- Liukastusaine voi aiheuttaa voimakasta yskää, keuhkokuumeen tai vakavia hengitysvaikeuksia liian suurina määrinä tai liian usein käytettynä.
- Älä levitä Provox ActiValve -liukastusainetta suoraan pullosta proteesille, koska tällöin nestettä voi joutua keuhkoihin, mistä aiheutuu voimakasta yskää, keuhkokuume tai vakavia hengitysvaikeuksia.
- Älä suurena Provox ActiValve -liukastusainepullon suuta.
- Pidä Provox ActiValve -liukastusaine poissa lasten ja sellaisten lemmikkieläinten ulottuvilta, joita sen hengittäminen tai nieleminen voi vahingoittaa.

Ilmoittaminen

Huomaa, että kaikki laitetta koskevat, vakavat tapahtumat ilmoitetaan valmistajalle ja käyttäjän ja/tai potilaan asuinmaan kansalliselle viranomaiselle.

Ábendingar um notkun

Einungis fyrir notkun með Provox ActiValve.

Að smyrja innri holrými Provox ActiValve stoðtækisins hjálpar til við að koma í veg fyrir að lokinn festist sem annars gæti gerst, t.d. eftir svefn.

Notkunarleiðbeiningar

Einu sinni á dag, eftir hreinsun á morgnana, skal smyrja innri holrými Provox ActiValve stoðtækisins með einum dropa af Provox ActiValve smurolíu með því að nota annan Provox burstu. Sjá skýringarmynd.

Ekki setja fleiri en einn dropa á burstann. Forðastu að snerta burstann með ActiValve smurolíuflöskunni þegar þú dreifir dropanum. Vertu þolinmóður þegar þú kreistir smurolíuflöskuna. Smurolíuflaskan losar þykka sílíkonolíuna mjög hægt. Ef þú færð Provox ActiValve smurolíu á húðina skaltu þvo það af með sápu og vatni.

Hreinsið burstann eftir notkun samkvæmt notkunarleiðbeiningunum sem fylgja Provox burstu.

Nota má ActiValve smurolíuna fram að fyrningardagsetningu eða 8 mánuðum eftir að flaskan er opnuð, hvort sem gerist fyrst. Skráið dagsetningu opunar á flöskuna með vatnsþolnum varanlegum merkingarpenna.

Athugið: Forðist að snerta slímhúð í maga með burstanum meðan verið er að bera á Provox ActiValve smurolíuna.

Inntaka af litlu magni af Provox ActiValve smurolíu fyrir slysi er skaðlaust. Tilfallandi innöndun á litlu magni af Provox ActiValve smurolíu er einnig skaðlaus, en getur valdið hósta.

Ekki hefur verið greint frá neinum heilsufarslegum vandamálum vegna endurtekinnar innöndunar á litlu magni af sílíkonolíu, en samt er betra að vera varkár og forðast það. Notaðu aðeins einn dropa af Provox ActiValve smurolíu í hvert skipti og vertu viss um að umfram kisillolía er fjarlægð áður en burstinn er notaður (enginn lekandi bursti).

Förgun

Ávallt skal fylgja heilbrigðiskröfum sem og landsbundnum kröfum varðandi lífsýnahættu við förgun á notuðum lækningatækjum.

VARÚÐ:

- Ofnotkun smurolíunnar í magni eða tíðni getur valdið miklum hósta, lungnabólgu eða alvarlegum öndunarerfiðleikum.
- Ekki setja Provox ActiValve smurolíuna beint úr flöskunni á gerviliminn þar sem það getur leitt vökvann í lungun og valdið miklum hósta, lungnabólgu eða alvarlegum öndunarerfiðleikum.
- Ekki stækka flöskuopið á Provox ActiValve smurolíunni.
- Geymið Provox ActiValve smurolíu þar sem börn ná ekki til og gælundýr geta skaðast við innöndun eða með því að kyngja efninu.

TILKYNNINGASKYLDA

Vinsamlega athugið að tilkynna skal öll alvarleg atvik sem upp koma í tengslum við notkun tækisins til framleiðanda, sem og til yfirvalda í því landi þar sem notandi og/eða sjúklingur hefur búsetu.

Felhasználási javallatok

Kizárólag a Provox ActiValve eszközzel való együttes használatra.

A Provox ActiValve protézis belső lumenének síkosítása segít megakadályozni a szelep letapadását, ami pl. alvás után jelentkezhet síkosítás hiányában.

Használati útmutató

Naponta egyszer, a reggeli tisztítás után egy új Provox Brush (kefe) segítségével síkosítsa meg a Provox ActiValve protézis belső lumenét egy csepp Provox ActiValve síkosítóval. Lásd az ábrákat.

Ne tegyen egynél több cseppet a kefére. Ne érjen hozzá a kefével az ActiValve síkosító üvegéhez, amikor kiadagolja belőle a cseppet. Türelmesen nyomja a síkosító üvegét. A síkosító üvegből nagyon lassan jön ki a sűrű szilikonolaj. Ha a Provox ActiValve síkosító a bőrére kerül, mossa le szappannal és vízzel.

Használat után tisztítsa meg a kefét a Provox kefe Használati útmutatójának megfelelően.

Az ActiValve síkosító a lejárat dátumig vagy az üveg kinyitása után 8 hónapig használható, attól függően, hogy melyik a korábbi dátum. Vízálló alkoholos tollal írja fel az üvegre a felnyitás dátumát.

Megjegyzés: A Provox ActiValve síkosító felvitele során ne érintse meg a kefével a stoma nyálkahártyáját.

Kis mennyiségű Provox ActiValve síkosító véletlen lenyelése nem okoz sérülést. Kis mennyiségű Provox ActiValve síkosító véletlen belélegzése szintén nem okoz sérülést, de köhögést válthat ki.

Nem számoltak be egészségi problémákról kis mennyiségű szilikonolaj ismételt aspirációjával kapcsolatban, de jobb az óvatosság és az olaj lenyelésének kerülése. Minden alkalommal csak egyetlen cseppet használjon a Provox ActiValve síkosítóból, és győződjön meg arról, hogy a kefe használata előtt minden felesleges szilikonolajat eltávolított (ne csepegjen a keferől az olaj).

Hulladékkezelés

Használt orvosi eszközök hulladékba helyezésénél mindig kövesse a biológiailag veszélyes hulladékok kezelésére vonatkozó orvosi gyakorlatot és nemzeti követelményeket.

FIGYELEM:

- A síkosító túl nagy mennyiségben vagy túl gyakran történő használata súlyos köhögést, tüdőgyulladást és súlyos légzési problémákat okozhat.
- Ne adagolja a Provox ActiValve síkosítót közvetlenül az üvegből a protézisre, mert a tüdőben lerakódhat a folyadék, ami súlyos köhögést, tüdőgyulladást és súlyos légzési problémákat okozhat.
- Ne tágítsa ki a Provox ActiValve síkosító üvegének nyílását.
- Tartsa a Provox ActiValve síkosítót gyermekektől és háziállatoktól távol, mert a síkosító belélegzése vagy lenyelése sérülést okozhat nekik.

Jelentési kötelezettség

Felhívjuk a figyelmét, hogy az eszközt érintő bármilyen súlyos balesetet jelenteni kell a gyártónak és a felhasználó/beteg lakóhelye szerint illetékes ország hatóságának.

Wskazania do stosowania

Do użytku wyłącznie z protezami Provox ActiValve.

Nałożenie środka poślizgowego na wewnętrzne światło protezy Provox ActiValve zapobiega sklejeniu się zastawki, do którego mogłoby dojść np. po odpoczynku nocnym.

Instrukcja użycia

Raz dziennie, po wyczyszczeniu rano protezy, należy umieścić środek poślizgowy w wewnętrznym kanale protezy Provox ActiValve, nakładając jedną kroplę środka poślizgowego Provox ActiValve Lubricant przy użyciu innej szczoteczki Provox Brush. Patrz rysunki.

Nie nakładać na szczoteczkę więcej niż jedną kroplę. Unikać dotykania szczoteczki butelką ze środkiem poślizgowym ActiValve Lubricant podczas dozowania kropli. Należy być cierpliwym, ściskając butelkę ze środkiem poślizgowym. Dozowanie gęstego oleju silikonowego z butelki ze środkiem poślizgowym odbywa się bardzo powoli. Jeśli środek poślizgowy Provox ActiValve Lubricant dostanie się na skórę, należy zmyć go wodą z mydłem.

Po użyciu wyczyścić szczoteczkę zgodnie z instrukcją obsługi dołączoną do szczoteczki Provox Brush. Środek poślizgowy ActiValve Lubricant może być stosowany do momentu upłynięcia daty ważności lub 8 miesięcy po otwarciu butelki, w zależności od tego, co nastąpi wcześniej. Datę otwarcia butelki zapisać wodoodpornym markerem permanentnym.

Uwaga: Unikać dotykania błony śluzowej stomy szczoteczką podczas nakładania środka poślizgowego Provox ActiValve Lubricant.

Przypadkowe spożycie niewielkich ilości środka poślizgowego Provox ActiValve Lubricant jest nieszkodliwe. Przypadkowe zaaspirowanie małych ilości środka poślizgowego Provox ActiValve Lubricant jest również nieszkodliwe, ale może powodować kaszel.

Nie zgłoszono żadnych problemów zdrowotnych związanych z powtarzającą się aspiracją niewielkich ilości oleju silikonowego, ale należy zachować ostrożność i unikać tego. Stosować za każdym razem tylko jedną kroplę środka poślizgowego Provox ActiValve Lubricant i pamiętać o usunięciu ze szczoteczki nadmiaru oleju silikonowego przed jej użyciem (tak aby olej nie skapywał ze szczoteczki).

Utylizacja

Przy usuwaniu używanego wyrobu medycznego należy zawsze postępować zgodnie z praktyką medyczną oraz krajowymi wymogami dotyczącymi zagrożeń biologicznych.

UWAGA:

- Stosowanie zbyt dużej ilości środka poślizgowego lub zbyt częste nakładanie go może spowodować ciężki kaszel, zapalenie płuc lub poważne problemy z oddychaniem.
- Nie należy nakładać środka poślizgowego Provox ActiValve Lubricant bezpośrednio z butelki na protezę, ponieważ może to doprowadzić do osadzenia się płynu w płucach i spowodować ciężki kaszel, zapalenie płuc lub poważne problemy z oddychaniem.
- Nie wolno powiększać otworu butelki ze środkiem poślizgowym Provox ActiValve Lubricant.
- Środek poślizgowy Provox ActiValve Lubricant należy przechowywać w miejscu niedostępnym dla dzieci i zwierząt domowych, które mogą ucierpieć w wyniku jego wdychania lub połknięcia.

Zgłaszanie

Należy pamiętać, że każde poważne zdarzenie, do którego doszło w związku z urządzeniem, należy zgłosić producentowi i władzom w kraju zamieszkania użytkownika i/lub pacjenta.

Indikacije za uporabu

Za uporabu samo s proizvodom Provox ActiValve.

Podmazivanjem unutrašnjeg lumena govorne proteze Provox ActiValve pomaže se spriječiti lijepljenje ventila do kojega bi bez podmazivanja moglo doći, primjerice nakon spavanja.

Upute za upotrebu

Jednom dnevno, nakon čišćenja ujutro, podmažite unutrašnji lumen proteze Provox ActiValve jednom kapi lubrikanta ActiValve Provox Lubricant s pomoću nove četkice Provox Brush. Pogledajte ilustracije. Ne stavljajte više od jedne kapi na četkicu. Prilikom doziranja kapi nemojte dodirivati četkicu bocom lubrikanta ActiValve Lubricant. Budite strpljivi prilikom stiskanja boce lubrikanta. Boca lubrikanta veoma polako otpušta gusto silikonsko ulje. Ako lubrikant ActiValve Provox Lubricant dođe u dodir s vašom kožom, operite ga sapunom i vodom.

Nakon uporabe očistite četkicu prema Uputama za uporabu uz četkicu Provox Brush.

Lubrikant ActiValve Lubricant može se upotrebljavati do datuma isteka ili 8 mjeseci nakon otvaranja bočice, što se god dogodi prije. Zabilježite datum otvaranja na bočici s pomoću vodootpornog trajnog markera.

Napomena: Ne dodirujte stomalnu sluznicu četkicom tijekom nanošenja lubrikanta ActiValve Provox Lubricant.

Slučajno gutanje male količine lubrikanta ActiValve Provox Lubricant jest bezopasno. Slučajna aspiracija male količine lubrikanta ActiValve Provox Lubricant također je bezopasna, no može uzrokovati kašalj.

Nisu prijavljeni ikakvi zdravstveni problemi u vezi s opetovanom aspiracijom malih količina silikonskog ulja, no ipak je bolje biti oprezan i izbjeći isto. Upotrijebite samo jednu kap lubrikanta ActiValve Provox Lubricant svaki put i pobrinite se da se višak silikonskog ulja ukloni prije uporabe četkice (četkica ne smije biti prepunjena).

Odlaganje

Uvijek slijedite medicinsku praksu i nacionalne propise o odlaganju opasnog otpada kada bacate medicinski proizvod.

OPREZ:

- Prekomjerna uporaba lubrikanta u količini ili učestalosti može dovesti do teškog kašlja, upale pluća ili ozbiljnih problema s disanjem.
- Nemojte primjenjivati lubrikant ActiValve Provox Lubricant izravno iz bočice na protezu jer time tekućina može doprijeti u pluća i uzrokovati teški kašalj, upalu pluća ili ozbiljne probleme s disanjem.
- Nemojte uvećavati otvor na bočici lubrikanta ActiValve Provox Lubricant.
- Držite lubrikant ActiValve Provox Lubricant dalje od djece i kućnih ljubimaca koji bi se mogli ozlijediti njegovim udisanjem ili gutanjem.

Prijava nezgoda

Sve ozbiljne incidente povezane s uređajem potrebno je prijaviti proizvođaču i nacionalnom tijelu u državi u kojoj se korisnik i/ili bolesnik nalazi.

Ενδείξεις χρήσης

Για χρήση με το Provox ActiValve μόνο.

Η λίπανση του εσωτερικού αυλού της πρόθεσης Provox ActiValve βοηθά να μην κολλήσει η βαλβίδα, γεγονός που θα μπορούσε να συμβεί σε αντίθετη περίπτωση, π.χ. μετά τον ύπνο.

Οδηγίες χρήσης

Μία φορά την ημέρα, μετά τον πρωινό καθαρισμό, λιπαίνετε τον εσωτερικό αυλό της πρόθεσης Provox ActiValve με μία σταγόνα από το λιπαντικό Provox ActiValve χρησιμοποιώντας διαφορετική Provox Brush (βούρτσα Provox). Δείτε τις εικόνες.

Μην ρίχνετε παραπάνω από μία σταγόνα στη βούρτσα. Αποφεύγετε την επαφή της βούρτσας με τη φιάλη του λιπαντικού ActiValve, όταν ρίχνετε τη σταγόνα. Να έχετε υπομονή όσο πιέζετε τη φιάλη του λιπαντικού. Η φιάλη του λιπαντικού αποδεδμεύει το παχύρρευστο έλαιο σιλικόνης πολύ αργά. Εάν πέσει λιπαντικό Provox ActiValve στο δέρμα σας, ξεπλύνετε το με σαπούνι και νερό.

Μετά τη χρήση, καθαρίστε τη Provox Brush (βούρτσα Provox) σύμφωνα με τις οδηγίες χρήσης που τη συνοδεύουν.

Το λιπαντικό ActiValve μπορεί να χρησιμοποιηθεί μέχρι την ημερομηνία λήξης ή 8 μήνες μετά το άνοιγμα της φιάλης, όποιο από τα δύο προηγηθεί. Σημειώστε την ημερομηνία ανοίγματος της φιάλης χρησιμοποιώντας έναν ανεξίτηλο μαρκαδόρο με αδιάβροχη μελάνη.

Σημείωση: Αποφεύγετε την επαφή του βλεννογόνου της στομιάς με τη βούρτσα κατά την εφαρμογή του λιπαντικού Provox ActiValve.

Η περιστασιακή κατάποση μικρών ποσοτήτων λιπαντικού Provox ActiValve είναι ακίνδυνη. Η περιστασιακή εισρόφηση μικρών ποσοτήτων λιπαντικού Provox ActiValve είναι επίσης ακίνδυνη, αλλά μπορεί να προκαλέσει βήχα.

Δεν έχουν αναφερθεί προβλήματα στην υγεία σχετικά με την επαναλαμβανόμενη εισρόφηση μικρών ποσοτήτων ελαίου σιλικόνης, αλλά καλύτερα να επιδεικνύετε προσοχή και να την αποφεύγετε. Χρησιμοποιήστε μόνο μία σταγόνα από το λιπαντικό Provox ActiValve κάθε φορά και φροντίστε να απομακρύνετε τυχόν πλεονάζουσα ποσότητα ελαίου σιλικόνης, πριν από τη χρήση της βούρτσας (να μην στάζει η βούρτσα).

Απόρριψη

Να ακολουθείτε πάντοτε τις κατάλληλες ιατρικές πρακτικές και τις εθνικές απαιτήσεις περί βιολογικών κινδύνων όταν απορρίπτετε χρησιμοποιημένες ιατρικές συσκευές.

ΠΡΟΣΟΧΗ:

- Η υπερβολική χρήση του λιπαντικού, σε ποσότητα ή συχνότητα, μπορεί να οδηγήσει σε οξύ βήχα, πνευμονία ή σοβαρά αναπνευστικά προβλήματα.
- Μην εφαρμόζετε το λιπαντικό Provox ActiValve απευθείας από τη φιάλη στην πρόθεση, καθώς κάτι τέτοιο θα μπορούσε να οδηγήσει σε εναπόθεση του υγρού στους πνεύμονες και να προκαλέσει οξύ βήχα, πνευμονία ή σοβαρά αναπνευστικά προβλήματα.
- Μην μεγεθύνετε το άνοιγμα της φιάλης του λιπαντικού Provox ActiValve.
- Διατηρείτε το λιπαντικό Provox ActiValve μακριά από παιδιά και κατοικίδια, για τα οποία μπορεί να είναι επιβλαβές σε περίπτωση εισπνοής ή κατάποσης.

Αναφορά

Επισημαίνεται ότι οποιοδήποτε σοβαρό συμβάν που έχει προκύψει σε σχέση με τη συσκευή πρέπει να αναφέρεται στον κατασκευαστή και την εθνική αρχή της χώρας στην οποία διαμένει ο χρήστης ή/και ο ασθενής.

Kullanım endikasyonları

Yalnızca Provox ActiValve ile kullanıma yöneliktir.

Provox ActiValve protezin iç lümenine kayganlaştırıcı uygulanması, aksi takdirde örneğin uyku sonrasında yaşanabilecek valf yapışmasını önlemeye yardımcı olur.

Kullanım talimatı

Günde bir defa sabah temizledikten sonra, Provox ActiValve protezin iç lümenine farklı bir Provox Brush kullanarak bir damla Provox ActiValve Lubricant uygulayın. Resimlere bakın.

Fırça üzerine bir damladan fazla kayganlaştırıcı koymayın. Bir damla kayganlaştırıcı koyarken ActiValve Lubricant şişesinin fırçayla temas etmemesine dikkat edin. Kayganlaştırıcı şişesini sıkarken aceleci davranmayın. Yoğun silikon yağı, kayganlaştırıcı şişesinden çok yavaş bir şekilde çıkar. Provox ActiValve Lubricant ürününün cildinizle temas etmesi durumunda cildinizi sabun ve su ile yıkayın.

Kullanımın ardından, fırçayı Provox Brush ile birlikte sağlanan Kullanım talimatlarına uygun şekilde temizleyin.

ActiValve Lubricant, son kullanma tarihine veya şişenin açılmasından 8 ay sonrasına kadar (hangi tarih önceyse) kullanılabilir. Açıldığı tarihi, suya dayanıklı kalıcı markör kalem ile şişenin üzerine yazın.

Not: Provox ActiValve Lubricant uygularken fırçanın stomal mukozayla temas etmemesine dikkat edin.

Provox ActiValve Lubricant ürününün yanlışlıkla küçük miktarlarda yutulması zararsızdır. Provox ActiValve Lubricant ürününün yanlışlıkla küçük miktarlarda solunması da zararsızdır, ancak öksürüğe neden olabilir.

Küçük miktarlarda silikon yağının tekrarlı olarak solunmasına ilişkin olarak rapor edilen herhangi bir sağlık sorunu yoktur, ancak yine de tedbirli davranarak bu durumdan kaçınmak daha uygun bir tutum olacaktır. Her defasında yalnızca bir damla Provox ActiValve Lubricant kullanın ve fırça kullanılmadan önce fazla silikon yağının giderildiğinden emin olun (yağ, fırçadan damlamamalıdır).

Atma

Kullanılmış bir tıbbi cihazı atarken biyolojik tehlikelerle ilgili tıbbi uygulamalara ve ulusal gerekliliklere daima uyun.

DİKKAT:

- Kayganlaştırıcının miktar veya sıklık açısından aşırı kullanımı şiddetli öksürüğe, pnömoniye veya ciddi solunum sorunlarına yol açabilir.
- Provox ActiValve Lubricant ürününü doğrudan şişeden protezin üzerine uygulamayın. Bu, sıvının akciğerlere gitmesine neden olabilir ve şiddetli öksürüğe, pnömoniye veya ciddi solunum sorunlarına yol açabilir.
- Provox ActiValve Lubricant ürününün şişe ağzını genişletmeyin.
- Provox ActiValve Lubricant ürününü, ürünü soluması veya yutması halinde zarar görebilecek olan çocukların ve evcil hayvanların erişemeyeceği bir yerde saklayın.

İhbar

Cihazla ilgili meydana gelen herhangi bir ciddi olay üreticiye ve kullanıcının ve/veya hastanın ikamet ettiği ülkedeki ulusal yetkiliye bildirilmelidir.

Показания к применению

Предназначено для использования только с Provox ActiValve.

Смазка внутренней полости протеза Provox ActiValve позволяет предотвратить заедание клапана, которое может произойти, например после сна.

Инструкции по применению

Раз в день после утренней очистки смазывайте внутреннюю полость протеза Provox ActiValve одной каплей смазывающего вещества Provox ActiValve Lubricant с помощью другой щетки Provox Brush. См. рисунки.

Не наносите на щетку более одной капли. При нанесении капли на щетку не касайтесь щетки флаконом ActiValve Lubricant. Нажимайте на флакон со смазывающим веществом аккуратно. Густая силиконовая смазка вытекает из флакона очень медленно. Если смазывающее вещество Provox ActiValve Lubricant попало на кожу, смойте его водой с мылом.

После использования очистите щетку в соответствии с инструкциями по применению щетки Provox Brush.

Смазывающее вещество ActiValve Lubricant можно использовать до истечения срока годности или в течение 8 месяцев после открытия флакона в зависимости от того, что произойдет раньше. Запишите дату открытия флакона влагостойкой нестираемой ручкой.

Примечание. Не касайтесь слизистой стомы щеткой при нанесении смазывающего вещества Provox ActiValve Lubricant.

Случайное попадание в желудок небольших объемов смазывающего вещества Provox ActiValve Lubricant не представляет опасности. Случайное вдыхание небольших объемов смазывающего вещества Provox ActiValve Lubricant также не представляет опасности, но может вызвать кашель. Не было выявлено проблем со здоровьем в результате неоднократного вдыхания небольших объемов силиконового масла, однако лучше соблюдать осторожность и избегать подобных ситуаций. Наносите только одну каплю смазывающего вещества Provox ActiValve Lubricant и удаляйте излишки силиконового масла до использования щетки (масло не должно капать со щетки).

Утилизация

Всегда следуйте медицинской практике и национальным требованиям в отношении биологически опасных веществ при утилизации использованных медицинских устройств.

ПРЕДОСТЕРЕЖЕНИЕ.

- Чрезмерное или слишком частое использование смазывающего вещества может стать причиной сильного кашля, развития пневмонии или серьезных проблем с дыханием.
- Не наносите смазывающее вещество Provox ActiValve Lubricant из флакона непосредственно на протез, так как это может стать причиной попадания жидкости в легкие, а также вызвать сильный кашель, привести к развитию пневмонии или возникновению серьезных проблем с дыханием.
- Не увеличивайте отверстие во флаконе смазывающего вещества Provox ActiValve Lubricant.
- Держите смазывающее вещество Provox ActiValve Lubricant в недоступном для детей и домашних животных месте, так как существует риск, что они могут вдохнуть или проглотить это вещество.

Уведомление

Обратите внимание, что о любых серьезных происшествиях с этим устройством необходимо сообщать производителю и в орган государственной власти той страны, в которой проживает пользователь и/или пациент.

日本語

使用目的

Provox ActiValve (プロヴォックスActiValve) 専用です。
プロヴォックスActiValveプロテーゼの内腔を潤滑することにより、例えば就寝後などに起こりうる、バルブの固着を防ぐのに役立ちます。

使用方法

朝のクリーニングの後に1日に1回、別のProvox Brush (プロヴォックスブラシ) を使用して、プロヴォックスActiValveプロテーゼの内腔にProvox ActiValve Lubricant (プロヴォックスActiValve潤滑剤) を1滴塗布します。図を参照してください。

ブラシには2滴以上塗布しないでください。潤滑剤を付けるときに、ActiValve潤滑剤の容器にブラシが接触しないようにしてください。根気よく潤滑剤の容器を絞ります。潤滑剤の容器から、高粘度のシリコンオイルがゆっくりと出てきます。プロヴォックスActiValve潤滑剤が皮膚に付いたら、石鹸と水で洗い流してください。

使用後はプロヴォックスブラシに付属している使用方法に従ってブラシを洗浄します。
ActiValve潤滑剤は、有効期限、または開栓後8か月のうち、どちらか最初に達する時点まで使用できます。耐水性マーカーを使用して開栓日を容器に記入します。

注記: プロヴォックスActiValve潤滑剤の塗布中に、ブラシがストーマ粘膜に接触しないようにしてください。

少量のプロヴォックスActiValve潤滑剤を誤って摂取しても問題はありません。少量のプロヴォックスActiValve潤滑剤を誤って吸い込んでも害はありませんが、咳を引き起こす可能性があります。

少量のシリコンオイルを繰り返し吸引することに関する健康問題の報告はありませんが、注意して吸引を避けることが望ましいです。毎回、プロヴォックスActiValve潤滑剤を1滴のみ使用し、ブラシを使用する前に、(ブラシから滴下しないよう) 余分なシリコンオイルを取り除いてください。

廃棄方法

使用済みの医療機器の廃棄は、必ず、地域のルールに従って行ってください。

注意:

- 潤滑剤が多過ぎたり、または頻繁に使用すると、激しい咳、肺炎、または重篤な呼吸疾患を引き起こす可能性があります。
- 容器から直接プロヴォックスActiValve潤滑剤をプロテーゼに塗布しないでください。肺に潤滑剤が沈着し、激しい咳、肺炎、または重篤な呼吸疾患を引き起こす可能性があります。
- プロヴォックスActiValve潤滑剤の容器の開口部を広げないでください。
- プロヴォックスActiValve潤滑剤は、子供やペットが触れないところに保管してください。吸い込んだり、飲み込むと、傷害の原因となります。

報告

製品に関連して発生した重大な事故はすべて、使用者および/ または患者が居住している国の製造業者および国家当局に報告されますので、ご了承ください。

사용 목적

Provox ActiValve에만 사용하십시오.

Provox ActiValve 보철물의 내부 루멘에 윤활제를 바르면 수면 후 등에 발생 가능한 밸브의 고착을 방지할 수 있습니다.

사용 안내

아침에 세척한 후 하루에 한 번 다른 Provox Brush를 사용하여 Provox ActiValve Lubricant 한 방울을 Provox ActiValve 보철물의 내부 루멘에 바르십시오. 그림을 참조하십시오.

술에 한 방울 넘게 떨어뜨리지 마십시오. 방울을 떨어뜨릴 때 술이 ActiValve Lubricant 병에 닿지 않게 주의하십시오. 윤활제 병을 쥐어짤 때 오일이 나오기까지 시간이 걸릴 수 있습니다. 윤활제 병은 끈적한 실리콘 오일을 매우 느리게 방출합니다. Provox ActiValve Lubricant가 피부에 묻은 경우, 비누와 물로 씻어내십시오.

사용 후에는 Provox Brush와 함께 제공된 사용 안내에 따라 술을 세척하십시오.

ActiValve Lubricant는 병을 개봉한 후 8개월이 되는 시점과 사용 기간 중 먼저 도래하는 날짜까지 사용할 수 있습니다. 방수 영구 마킹 펜을 사용하여 개봉한 날짜를 병에 기재하십시오.

참고: Provox ActiValve Lubricant를 바를 때 술이 기문의 점막에 닿지 않게 주의하십시오.

소량의 Provox ActiValve Lubricant를 실수로 섭취하더라도 무해합니다. 소량의 Provox ActiValve Lubricant를 실수로 흡입하더라도 무해하지만 기침을 유발할 수 있습니다.

소량의 실리콘 오일을 반복적으로 흡입할 때 발생하는 건강상의 문제는 보고된 바 없지만 조심하고 피하는 것이 좋습니다. 매번 한 방울의 Provox ActiValve Lubricant만 사용하고, 술을 사용하기 전에 불필요한 실리콘 오일이 제거되었는지 확인하십시오(점적 술 없음).

폐기

사용한 의료 장치를 폐기할 때에는 항상 의학적 위험 물질에 관한 의로계 관행과 국가별 요구 사항을 준수하십시오.

주의:

- 윤활제를 과도한 양이나 빈도로 사용하면 심한 기침, 폐렴 또는 심각한 호흡 문제가 발생할 수 있습니다.
- Provox ActiValve Lubricant를 병에서 보철물에 직접 바르지 마십시오. 폐에 액체가 쌓여 심한 기침, 폐렴 또는 심각한 호흡 문제가 발생할 수 있습니다.
- Provox ActiValve Lubricant의 병 입구를 늘리지 마십시오.
- Provox ActiValve Lubricant는 흡입하거나 삼키면 유해할 수 있으므로 어린이나 반려동물이 닿지 않는 곳에 보관하십시오.

보고

장치와 관련하여 발생한 심각한 사고는 제조업체와 사용자 및/또는 환자가 거주하는 국가의 국가기관에 신고해야 합니다.

使用指示

僅限搭配 Provox ActiValve 使用。

潤滑 Provox ActiValve 人工發聲瓣內腔，有助於預防可能發生的閥門黏滯（如在睡眠時）。

使用說明

早上清潔後，請用另一支 Provox Brush (Provox 刷子) 滴一滴 Provox ActiValve 潤滑劑，以潤滑 Provox ActiValve 人工發聲瓣的內腔，每天一次。請參見圖示。

不要在刷子上滴超過一滴潤滑劑。滴潤滑劑時，請避免刷子接觸 ActiValve 潤滑劑瓶。請耐心擠壓潤滑劑瓶。潤滑劑瓶滴出濃稠矽膠潤滑油的速度非常緩慢。如果皮膚接觸到 Provox ActiValve 潤滑劑，請以肥皂和清水清洗。

使用後，請按照 Provox 刷子隨附的《使用說明》清潔。

ActiValve 潤滑劑可使用至有效日期或開瓶後 8 個月，以先到者為準。請使用油性箱頭筆在瓶身上記下開封日期。

備註：在塗抹 Provox ActiValve 潤滑劑時，請避免接觸氣管造口黏膜。

意外吞下少量 Provox ActiValve 潤滑劑不會造成傷害。意外吸入少量 Provox ActiValve 潤滑劑也不會造成傷害，但可能會引起咳嗽。

尚未有關於重複吸入少量矽膠潤滑油的健康問題報告，但仍應小心避免吸入。每次只使用一滴 Provox ActiValve 潤滑劑，並確認沒有任何多餘矽膠潤滑油，再使用刷子（刷子不滴油）。

丟棄

丟棄使用過後的醫療裝置時，請遵照生物危害相關醫療實踐與國家規範。

注意：

- 過量或頻繁使用潤滑劑均可能會導致嚴重咳嗽、肺炎或嚴重呼吸問題。
- 不要將 Provox ActiValve 潤滑劑從瓶中直接塗抹到人工發聲瓣上，因為這可能會在肺部中積聚液體，並造成嚴重咳嗽、肺炎或嚴重呼吸問題。
- 不要擴大 Provox ActiValve 潤滑劑的瓶口。
- 請將 Provox ActiValve 潤滑劑放在兒童和寵物接觸不到的地方，否則其可能會因為吸入或吞下潤滑劑而受傷。

回報

請注意，與裝置相關的任何嚴重事件均應回報給使用者和/患者所在國家/地區的製造商和政府當局。

دواعي الاستعمال

مخصص للاستخدام مع Provox ActiValve فقط.

يساعد تزليق التجويف الداخلي من العضو الاصطناعي Provox ActiValve في منع التصاق الصمام الذي قد يحدث، عقب النوم مثلاً، في حالة عدم التزليق.

تعليمات الاستخدام

يجب تزليق التجويف الداخلي للعضو الاصطناعي Provox ActiValve بقطرة واحدة من مُرْلِق Provox ActiValve Lubricant باستخدام فرشاة Provox Brush مختلفة، وذلك مرة واحدة في اليوم، بعد التنظيف في الصباح. يُرجى الاطلاع على الرسومات التوضيحية.

لا تضع أكثر من قطرة واحدة على الفرشاة. تجنب لمس الفرشاة بزجاجة المُرْلِق ActiValve Lubricant عند استخراج قطرة منها. اضغط على زجاجة المُرْلِق بتأنٍ وحرص. تُخرج زجاجة المُرْلِق زيت السيليكون السميك ببطء شديد. إذا لامس مُرْلِق Provox ActiValve Lubricant بشرتك، فاغسلها بالماء والصابون.

بعد الاستخدام، قم بتنظيف الفرشاة وفقاً لتعليمات الاستخدام المرفقة بفرشاة Provox Brush.

يمكن استخدام مُرْلِق ActiValve Lubricant حتى تاريخ انتهاء الصلاحية أو لمدة ٨ أشهر من فتح العبوة، أيهما أقرب. سجّل تاريخ فتح العبوة على الزجاجة باستخدام القلم الدائم المقاوم للماء.

ملاحظة: تجنب لمس الغشاء المخاطي الفغري بالفرشاة عند وضع مُرْلِق Provox ActiValve Lubricant.

لا ضرر من الهضم العرضي لكميات ضئيلة من مُرْلِق Provox ActiValve Lubricant. ولا ضرر أيضاً من الارتشاف العرضي لكميات صغيرة من مُرْلِق Provox ActiValve Lubricant، ولكن ذلك قد يسبب سعالاً.

لم يتم الإبلاغ عن مشاكل صحية فيما يتعلق بالشفط المتكرر لمقادير صغيرة من زيت السيليكون، ولكن لا يزال من الأفضل توخي الحذر وتجنبه. لا تستخدم إلا نقطة واحدة من مُرْلِق Provox ActiValve Lubricant في كل مرة، وتأكد من إزالة أي زيادات من زيت السيليكون قبل استخدام الفرشاة (يُحظر استخدام الفرشاة وقطرات المُرْلِق تتساقط منها).

التخلص من المنتج

احرص دائماً على اتباع القوانين المعتمدة في بلدك فيما يتصل بالمخاطر البيولوجية عند التخلص من أي جهاز طبي مستعمل.

تنبيه:

- يمكن أن يؤدي استخدام المُرْلِق بكمية مفرطة أو تكرار زائد إلى السعال الشديد أو الالتهاب الرئوي أو مشاكل التنفس الخطيرة.
- لا تضع مُرْلِق Provox ActiValve Lubricant من العبوة على العضو الاصطناعي مباشرة؛ إذ قد يؤدي ذلك إلى ترسب السائل في الرئتين مسبباً سعالاً شديداً أو التهاباً رئوياً أو مشاكل التنفس الخطيرة.
- لا توسّع فتحة عبوة مُرْلِق Provox ActiValve Lubricant.
- احفظ مُرْلِق Provox ActiValve Lubricant بعيداً عن متناول الأطفال والحيوانات الأليفة التي قد تتعرض للأذى من جراء استنشاقه أو ابتلاعه.

الإبلاغ

يُرجى ملاحظة أنه يجب إبلاغ الشركة المُصنّعة والسلطة الوطنية بالبلد الذي يقيم فيه المستخدم و/أو المريض بأي حادث خطير يقع في ما يتعلق بالجهاز



Manufacturer; Hersteller; Fabrikant; Fabricant; Produttore; Fabricante; Fabricante; Tillverkare; Producent; Produzent; Valmistaja; Framleiðandi; Tootja; Ražotājs; Gamintojas; Výrobce; Gyártó; Výrobca; Proizvajalec; Producent; Producător; Proizvodač; Proizvodač; Κατασκευαστής; Производител; Üretici; Թնարժողձըլո; Ʋրուսադրո; Ístehsalci; Производител; Produsen; Pengilang; 製造業者; 제조사; 製造商; 製造商; 7רצ; الجهته المصنعة



Date of manufacture; Herstellungsdatum; Productiedatum; Date de fabrication; Data di fabbricazione; Fecha de fabricación; Data de fabrico; Tillverkningsdatum; Fremstillingsdato; Produksjonsdato; Valmistuspäivä; Framleiðsludagsetning; Valmistamise kuupäev; Ražošanas datums; Pagaminimo data; Datum výroby; Gyártás időpontja; Dátum výroby; Datum proizvodnje; Data produkcji; Data fabricației; Datum proizvodnje; Datum proizvodnje; Ημερομηνία κατασκευής; Дата на производство; Üretim tarihi; Թնարժողձոն տարիլո; Ʋրուսադրոն ամսադրիլ; Ístehsal tarixi; Дата изготовления; Tanggal produksi; Tarikh pembuatan; 製造日; 제조일자; 製造日期; 制造日期; תאריך ייצור; تاريخ التصنيع



Use-by date; Verfallsdatum; Houdbaarheidsdatum; Date limite d'utilisation; Data di scadenza; Fecha de caducidad; Data de validade; Används senast; Användes inden; Brukes innen; Viimeinen käyttöpäivä; Siðasti notkunardagur; Kölblík kuni; Deríguma termiņš; Naudoti iki; Datum expirace; Felhasználhatóság dátuma; Dátum najneskoršej spotreby; Rok uporabnosti; Data ważności; Data expirării; Rok uporabe; Rok upotrebe; Ημερομηνία λήξης; Срок на годност; Son kullanım tarihi; 3არგზიბო; Դիսուսնելիլոյոն ժամկետ; Son istifadə tarixi; Срок годности; Gunakan sebelum tanggal; Tarikh guna sebelum; 使用期限; 사용 기한; 使用截止日期; 使用截止日期; תאריך אחרון לשימוש; تاريخ انتهاء الصلاحية

LOT

Batch code; Chargencode; Partijnummer; Code de lot; Codice lotto; Código de lote; Código do lote; Batchkod; Batchkode; Batchkode; Eränumero; Lotunúmer; Partii kood; Partijas kods; Partijos kodas; Kód šarže; Sarzs kód; Kód šarže; Številka serije; Kod partii; Codul lotului; Šifra serije; Šifra serije; Κωδικός παρτίδας; Код на партида; Parti kodu; Եդրոնոն 3տո; Խմբարքանակի կոդ; Partiya kodu; Код партии; Kode batch; Kod kelompok; パッチコード; 배치 코드; 批次代碼; 批号; קוד הצורה; كود الدفعة

REF

Product reference number; Produktreferenznummer; Referentienummer product; Numéro de référence du produit; Numero riferimento prodotto; Número de referencia del producto; Referência do produto; Referenznummer; Produktreferenznummer; Produktreferenznummer; Artikelnummer; Tilvísunarnúmer vöru; Toote viitenumber; Produkta atsauces numurs; Gaminio katalogo numeris; Referenčni číslo produktu; Termék referenciaszáma; Referenčné číslo produktu; Referenčna številka izdelka; Numer katalogowy produktu; Numărul de referință al produsului; Referentni broj proizvoda; Referentni broj proizvoda; Αριθμός αναφοράς προϊόντος; Референтен номер на продукт; Ürün referans numarası; 3րոժդըլթոն նա3ոնձրոլո նոմըրո; Ʋրուսադրոնրի տեղեկատու համարը; Məhsula istinad nömrəsi; Справочный номер изделия; Nomor referensi produk; Nombor rujukan produk; 製品参照番号; 제품 참조 번호; 產品參考號; 产品参考编号; الرقم المرجعي للمنتج; מספר סימוכין של המוצר



Do not re-use; Nur zum Einmalgebrauch; Niet hergebruiken; Ne pas réutiliser; Non riutilizzare; No reutilizar; Não reutilizar; Återanvänd ej; Må ikke genanvendes; Skal ikke gjenbrukes; Ei uudelleenkäytettävä; Má ekki endurnýta; Mitte taaskasutada; Neizmantot atkārtoti; Pakartotinaí nenaudoti; Nepoužívejte opakovaně; Ne használja fel újra; Nepoužívejte opakovaně; Ne uporabljajte ponovno; Nie używać ponownie; A nu se reutiliza; Nemojte ponovno upotrebljavati; Ne koristiti ponovo; Μην επαναχρησιμοποιείτε; Не используйте повторно; Tekrar kullanmayın; არ გამოიყენოს ხელახლა; Մեկանգամյա օգտագործման համար; Yeniden istifadə etməyin; He подлежит повторному использованию; Jangan gunakan ulang; Jangan guna semula; 再利用不可; 재사용하지 마십시오; 請勿重複使用; 請勿重复使用; מיוחד לשימוש חוזר; يجب عدم إعادة الاستخدام



Non-sterile; Unsteril; Niet steriel; Non stérile; Non sterile; No estéril; Não estéril; Osteril; Ikke-steril; Usteril; Steriloimaton; Ösæft; Mittesteriilne; Nesterils; Nesterilu; Nesterilini; Nem steril; Nesteriliné; Nesterilno; Produkt niejałowy; Prodos nesteril; Nesterilno; Nije sterilno; Μη αποστειρωμένο; Нестерильно; Steril deǵildir; Ժրանքերիզուրո; Ոչ ստերիլ; Qeyri-steril; Нестерильно; Tidak steril; Tidak steril; 非滅菌; 무균 아님; 未滅菌; 非无菌; غير معقم; אל ממוקד



Keep away from sunlight and keep dry; Vor Sonnenlicht und Feuchtigkeit schützen; Niet blootstellen aan zonlicht, droog bewaren; Maintenir à l'abri de la lumière directe du soleil et de l'humidité; Tenere all'asciutto e al riparo dalla luce del sole; Mantener seco y alejado de la luz solar; Manter afastado da luz solar e da chuva; Håll borta från solljus och håll torr; Holdes bort fra sollys og holdes tør; Unngå direkte sollys, holdes tørr; Säilytettävä kuivassa paikassa suojassa auringonvalolta; Geymið fjarri sólarljósi og haldið þurru; Hoida kuivas ja eemal päikesevalgusest; Sargāt no saules stariem un mitruma; Saugoti nuo saulės šviesos ir laikyti sausai; Chraňte pred slnečným žiarením a udržujte v suchu; Tartsa a napfénytől távol, és tartsa szárazon; Chraňte pred slnečným žiarením a uchovávajte v suchu; Shranjujte na suhem in ne izpostavljajte sončni svetlobi; Chronić przed światłem słonecznym i przechowywać w suchym miejscu; A se feri de lumina soarelui și a se menține uscat; Čuvajte na suhom mjestu i podalje od Sunčeve svjetlosti; Držati dalje od sunčeve svetlosti i čuvati na suvom; Φυλάσσετε μακριά από το ηλιακό φως και διατηρείτε τη συσκευή στεγνή; Дръжте далече от слънчева светлина и съхранявайте на сухо място; Güneş ışığından uzakta ve kuru tutun; შვიდნხეთ მზისგან დაცულ ადგილას და მშრალ მდგომარეობაში; Հնրու պահեր արևի ճառագայթներից և պահեր չոր տեղում; Gün ışığından uzaqda və quru saxlayın; Берегите от воздействия прямых солнечных лучей и влаги; Hindarkan dari sinar matahari dan simpan di tempat yang kering; Jauhkan dari cahaya matahari dan pastikan sentiasa kering; 直射日光および湿気禁止; 직사광선이 닿지 않게 하고 건조한 상태로 유지하십시오; 避免日照並保持乾燥; 避免日照和保持干燥; יש להרחיק מהשמש ולאחסן במקום יבש; يجب الحفاظ على المنتج جافًا وبعيدًا عن أشعة الشمس



Storage temperature limit; Lagertemperaturgrenze; Maximale bewaartemperatuur; Limite de température de stockage; Temperature di stoccaggio; Limite de temperatura de almacenamiento; Limite da temperatura de armazenamento; Temperaturgränser för förvaring; Opbevaringstemperaturbegrænsning; Opbevaringstemperaturgrense; Säilytyslämpötilan raja; Takmarkanir á hitastigi við geymslu; Säilitustemperatuuri piirmäär; Uzglabāšanas temperatūras ierobežojums; Laikymo temperatūros riba; Limit skladovaci teploty; Tárolási hőmérsékletkorlát; Limit skladovacej teploty; Omejitve temperature za shranjevanje; Temperatura przechowywania; Limita temperaturii de depozitare; Ograničenje temperature skladištenja; Ograničenje temperature skladištenja; Ορια θερμοκρασίας αποθήκευσης; Граници на температурата на съхранение; Saklama sıcaklığı sınırı; შვიდნხვის ტემპერატურის ლიმიტი; Πահպանման ջերմաստիճանի սահմանները; Saxlama temperaturu həddi; Ограничения температуры хранения; Batas suhu penyimpanan; Had suhu simpanan; 保管溫度制限; 보관 온도 제한; 儲存溫度限制; 儲存溫度限制; הגבלת טמפרטורת אחסון; حد درجة الحرارة والتخزين



Store at room temperature. Temporary deviations within the temperature range (max-min) are allowed; Bei Zimmertemperatur lagern. Temperaturschwankungen innerhalb des Temperaturbereichs (min.–max.) sind zulässig; Bij kamertemperatuur bewaren. Tijdelijke afwijkingen van de temperatuur binnen de marge (min-max) zijn toegestaan; Stocker à température ambiante Des écarts temporaires dans la plage de température ambiante (max-min) sont autorisés; Conservare a temperatura ambiente. Sono consentiti scostamenti temporanei entro i limiti di temperatura (max-min); Almacenar a temperatura ambiente. Se permiten desviaciones temporales dentro del rango de temperatura (máx.-mín.); Guardar a temperatura ambiente. São permitidos desvios temporários dentro do intervalo das temperaturas (máx-min); Förvara i rumtemperatur. Tillfälliga avvikelser inom temperaturområdet (max–min.) är tillåtna; Opbevar ved rumtemperatur. Midlertidige afvikelse i temperaturintervallet (maks-min) er tilladt; Oppbevares i romtemperatur. Midlertidige avvik innenfor temperaturområdet (maks.–min.) er tillatt; Säilytä huoneenlämmössä. Väliaikainen poikkeama lämpötila-alueella (suurin-pienin) on sallittu; Geymið við stofuhita. Tímabundin frávik innan hitasviðs (lág.–hám.) eru leyfð; Hoida toatemperatuuril. Ajutused nihked temperatuurivahemikus (max–min) on lubatud; Uzglabāt istabas temperatūrā. Ir pieļaujamas īslaicīgas novirzes temperatūras diapazona ietvaros (min.–maks.); Laikyti kambario temperatūroje. Leidžiami laikini nuokrypiai, nevirsijantys temperatūros intervalo (didž.–maž.); Skladujte pri pokojové teplotě. Dočasné odchylky od teplotního rozsahu (max–min) jsou povoleny; Tárolja szobahőmérsékleten. Az átmeneti ingadozás a hőmérséklet-tartományon belül (max.–min.) engedélyezett; Uchovávejte pri izbovej teplote. Dočasné odchýlky v rámci teplotného rozsahu (max – min) sú povolené; Shranjajte pri sobni temperaturi. Dovoljena so začasna odstopanja znotraj temperaturnega razpona (najv.–najm.); Przechowywać w temperaturze pokojowej. Dopuszczalne są przejściowe odchylenia w obrębie zakresu temperatury (maks. — min.); A se păstra la temperatura camerei. Sunt permise abaterii temporare în intervalul de temperatură (min.–max.); Skladišite pri sobnoj temperaturi. Dopusštena su privremena odstupanja unutar raspona temperature (maks. – min.); Čuvati na sobnoj temperaturi. Dozvoljena su privremena odstupanja unutar temperaturnog opsega (maks.–min.); Φυλάσσετε σε θερμοκρασία δωματίου. Επιτρέπονται παροδικές αποκλίσεις εντός του εύρους θερμοκρασίας (μέγιστη-ελάχιστη); Съхранявайте на стайна температура. Временните отклонения в температурните диапазони (макс. – мин.) са разрешени; Oda sıcaklığında saklayın. Sıcaklık aralığı (maksimum-minimum) içerisinde geçici sarpmalara izin verilir; թղոճսեցոտ տօսանոս ԺըմձըրաԺըրաՅը. Ըրրօցժոտոց ցաԺսերցժո ԺըմձըրաԺըրոս Գարցըցժոծծ (ԹալՅ.-ժոճ.) ԸսսաՅըցժոծ; Պսսևկ սենյակային ջերմաստիճանում: Թոյլաւտրվում են ժամանակավոր ստատանումներ ջերմաստիճանի ընդգրկույթում (առավելագույնից նվազագույն); Otaq temperaturunda saxlayın. Maksimum və minimum temperatur aralığında müvəqqəti yayınmalara icazə verilir; Храните при комнатной температуре. Допускаются временные отклонения интервала температур (макс.-мин.); Simpan pada suhu ruang. Deviasi sementara dalam rentang suhu (maks-min) diizinkan; Simpan pada suhu bilik. Penyimpangan sementara dalam julat suhu (maks-min) adalah dibenarkan; 室温で保管。温度範囲(最大～最小)内の温度逸脱は許容。; 실온에서 보관하십시오. 온도 범위내에서의 일시적인 편차(최대-최소)는 허용됩니다; 室温儲存。允許在溫度範圍內(上限至下限)的溫度差異。; 室温下存放。允許溫度範圍內(最高-最低)的暫時偏差。; (מקסימום-מינימום) מותרות טמפרטורה בתוך טווח הטמפרטורה (הגבול העליון-הגבול התחתון); يجب التخزين في درجة حرارة الغرفة. يُسمح باختلافات مؤقتة ضمن نطاق درجة الحرارة (الحد الأعلى-الحد الأدنى).



Instructions for use; Gebrauchsanweisung; Gebruiksaanwijzing; Mode d’emploi; Istruzioni per l’uso; Instrucciones de uso; Instruções de utilização; Bruksanvisning; Brugsanvisning; Bruksanvisning; Käyttöohjeet; Notkunarleiðbeiningar; Kasutusjuhend; Lietošanas norādījumi; Naudojimo instrukcija; Návod k použití; Használati útmutató; Návod na použitie; Navodila za uporabo; Instrukcja użycia; Instrucțiuni de utilizare; Upute za upotrebu; Uputstvo za upotrebu; Οδηγίες χρήσης; Инструкции за употреба; Kullanım talimatları; ցամոցըցեցժոն ոնսԺրըլըցո; Оқушаққордұман һрһһһһһһһһһ; İstifadə qaydaları; Инструкции по применению; Petunjuk penggunaan; Arahan penggunaan; 取扱説明書; 사용 지침; 使用說明; 使用说明书; تعليمات الاستخدام; הוראות שימוש



Caution, consult instructions for use; Vorsicht, Gebrauchsanweisung beachten; Let op: Raadpleeg de gebruiksaanwijzingen; Mise en garde, consulter le mode d'emploi; Attenzione, consultare le istruzioni per l'uso; Precución, consultar instrucciones de uso; Cuidado, consultar as instruções de utilização; Varning, läs instruktion; Forsigtig, se brugsanvisning; Forsiktig, se bruksanvisningen; Varoitus, katso käyttöohjeet; Varúð, lesið notkunleiðbeiningarnar; Ettevaatust, tutvuge kasutusjuhendiga; Uzmanību! Izlasiet lietošanas norādījumus; Dèmesio, skaityti naudojimo instrukciją; Upozornění, viz návod k použití; Figyelem, tájékozódjon a használati útmutatóból; Pozor, riadte sa návodom na použitie; Pozor; glejte navodila za uporabo; Uwaga, należy zapoznać się z instrukcją obsługi; Atenție! Consultați instrucțiunile de utilizare; Pozor: proučite upute za upotrebu; Opzre, konsultovati uputstvo za upotrebu; Προσοχή, συμβουλευτείτε τις οδηγίες χρήσης; Внимание, консультируйтесь с инструкциями за употреба; Dikkat, kullanmadan önce talimatları inceleyin; გაფრთხილება, მოთხოვეთ გამოყენების ინსტრუქციას; Πιλοτηρητήριο, հետևիր օգտագործման հրահանգներին; Xəbərdarlıq, istifadə qaydalarını oxuyun; Предостережение, обратитесь к инструкциям по применению; Perhatian, baca petunjuk penggunaan; Berhati-hati, rujuk arahan penggunaan; 注意、取扱説明書を参照; 주의, 사용 지침을 참조하십시오; 注意事項, 參閱使用說明; 小心, 參閱使用說明書; תשׁיב, ראה تعليمات الاستخدام; זהררות, יש לעיין בהוראות השימוש; تنبيه, راجع تعليمات الاستخدام

MD

Medical Device; Medizynprodukt Medisch hulpmiddel; Dispositif médical; Dispositivo medico; Productio sanitario; Dispositivo médico; Medicinteknisk produkt; Medicinsk utstyr; Medisinsk utstyr; Lääkinällinen laite; Lækningatæki; Meditsiiniseade; Medicínska ierice; Medicinos priemonė; Zdravotnický prostředek; Orvostechnikai eszköz; Zdravotnicka pomůcka; Medicinski pripomoček; Wyrób medyczny; Dispositif medical; Medicinski proizvod; Медицинско средство; Ιατροτεχνολογικό προϊόν; Медицинскоизделие; Tibbi cihaz; სამედიცინო მოწყობილობა; Բժշկական սարք; Tibbi Avadanlıq; Медицинское изделие; Peralatan Medis; Peranti Perubatan; 医療機器; 의료 장치; 醫療裝置; 医疗器械; התקן רפואי; جهاز طبي



Instructions for use intended for patient; Gebrauchsanweisung für Patientien; Gebruiksaanwijzing voor de patiënt; Mode d'emploi destiné au patient; Istruzioni per l'uso previsto per il paziente; Instrucciones de uso destinadas al paciente; Instruções de utilização destinadas a doentes; Bruksanvisning avsedd för patienten; Brugsanvisning tiltænt patient; Bruksanvisning beregnet på pasient; Potilaalle tarkoitettu käyttöohjeet; Notkunleiðbeiningar fyrir sjúkling; Kasutusjuhend patsiendile; Pacientiem paredzēti lietošanas norādījumi; Pacientui skirta naudojimo instrukcija; Návod k použití určený pro pacienta; Használati útmutató a betegnek; Návod na použitie určený pre pacienta; Navodila za uporabo, namenjena bolniku; Instrukcja użycia przeznaczona dla pacjenta; Instrucțiuni de utilizare destinate pacientului; Upute za upotrebu namijenjene pacijentima; Uputstvo za upotrebu namenjeno pacijentu; Οδηγίες χρήσης για τον ασθενή; Инструкции за употреба, предназначени за пациента; Hasta için kullanım talimatları; გამოყენების ინსტრუქციები პაციენტისთვის; օգտագործման հրահանգներ՝ նախատեսված հիվանդի համար; Пациент үшін назарда tutulmuş istifadə qaydaları; Инструкции по применению предназначены для пациента; Petunjuk penggunaan khusus untuk pasien; Arahan penggunaan untuk pesakit; 患者用の取扱説明書; 환자 사용 지침; 患者専用使用説明; 适用于患者的使用说明书; תוררות שימוש למטופל; تعليمات الاستخدام المخصصة للمريض



Instructions for use intended for clinician; Gebrauchsanweisung für Ärzte; Gebruiksaanwijzing voor de arts; Mode d'emploi destiné au praticien; Istruzioni per l'uso previsto per il medico; Instrucciones de uso destinadas al médico; Instruções de utilização destinadas a profissionais de saúde; Bruksanvisning avsedd för läkaren; Brugsanvisning tiltænt klinikker; Bruksanvisning beregnet på lege; Lääkärille tarkoitettu käyttöohjeet; Notkunleiðbeiningar fyrir lækni; Kasutusjuhend meditsiinitöötajale; Arstiem paredzēti lietošanas norādījumi; Gydotojų skirta naudojimo instrukcija; Návod k použití určený pro klinického lékaře; Használati útmutató az orvosnak; Návod na použitie určený pre lekára; Navodila za uporabo, namenjena zdravstvenemu delavcu; Instrukcja użycia przeznaczona dla lekarza; Instrucțiuni de utilizare destinate medicului; Upute za upotrebu namijenjene kliničkim djelatnicima; Uputstvo za upotrebu namenjeno lekaru; Οδηγίες χρήσης για τον ιατρό; Инструкции за употреба, предназначени за лекаря; Klinisyen için kullanım talimatları; გამოყენების ინსტრუქციები ექიმისთვის; օգտագործման հրահանգներ՝ նախատեսված բժշկի համար; Həkim üçün nəzərdə tutulmuş istifadə qaydaları; Инструкции по применению предназначены для врача; Petunjuk penggunaan khusus untuk tenaga medis; Arahan penggunaan untuk klinisiaan; 醫師用的取扱説明書; 의사 사용 지침; 臨床醫生專用使用説明; 适用于临床医生的使用说明书; תוררות שימוש לרופא; تعليمات الاستخدام المخصصة للطبيب



Single Patient – multiple use; Einzelter Patient – mehrfach anwendbar; Eén patiënt – meervoudig gebruik; Un seul patient – à usage multiple; Singolo paziente – uso multiplo; Un solo paciente – uso múltiple; Paciente único – várias utilizações; En patient – flera användningar; Enkelt patient – flergangsbrug; Kun til bruk på én pasient – flergangsbruk; Potilaskohtainen – voidaan käyttää useita kertoja; Fyrr ein sjúkling – margnota; Úhel patientsindil korduvalt kasutatav; Vi en s p a c i e n t s – vairák-kártēja lietošana; Vienas pacientas – daugkartinis naudojimas; Jeden pacient – vícenásobné použití; Egyetlen beteg esetében többször újra használható; Jeden pacient – viacnásobné použitie; En bolnik – večkratna uporaba; Wielokrotnie użycie u jednego pacjenta”; Un singur pacient – utilizare multiplă; Jedan pacijent – višestruka uporaba; Један пацијент – вишеструка употреба; Πολλαπλή χρήση – σε έναν μόνο ασθενή; Един пациент – многократна употреба; Tek hasta – çoklukulanim; ერთი პაციენტი — მრავალჯერადი მოხმარების; Ὑπὲρ ἡψιάνηθι ἡμῶν ἰατρῶν ἰσοῦσθηρῶν ἔλαστικῶν οὐκωσθηρῶν; Bir Patient için – çoxsaylı istifadə; Многократное использование для одного пациента; Hanya Untuk Satu Pasien-beberapa kali penggunaan; Seorang Pesakit – berbilang penggunaan; 一人の患者 – 複数回使用; 환자 일인-다목적 이용; 單一患者 : 多次使用; 供一位患者多次使用;

מטופל יחיד - שימוש רב פעמי
 مريض واحدة - استخدام متعدد



Triman symbol and Infotri for France; Triman-Logo und Infotri für Frankreich; Triman- en Info-tri-symbool voor Frankrijk; Signalétique Triman et info-tri pour la France; Logo Triman e Infotri per la Francia; Símbolo Triman e Infotri para Francia; Símbolo Triman e Infotri para a França; Triman-symbol och Infotri för Frankrike; Triman-symbol og Infotri for Frankrig; Triman-symbol og Info-Tri for Frankrike; Triman-symboli ja Infotri-ohjeet Ranskaa varten; Triman tákn og Infotri fyrir Frakkland; Triman sümbool ja Infotri Prantsusmaal; Triman simbols un Infotri Francijai; Prancūzijai skirtas „Triman“ simbolis ir „Infotri“; Symbol Triman a Infotri pro Francii; Triman szimbólum és Infotri Franciaország esetében; Symbol Triman a Infotri pre Francúzsko; Simbol Triman in Infotri za Francijo; Symbol Triman i Infotri dla Francji; Simbolul Triman și Infotri pentru Franța; Simbol Triman i oznaka Infotri za Francusku; Simboli Triman i Infotri za Francusku; Σύμβολο Triman και Infotri για τη Γαλλία; Символ Triman и Infotri за Франция; Fransa için Triman sembolü ve Infotri; ტრიმანის სიმბოლო და ინფოტრის დახარისხება საფრანგეთისთვის; Triman ἡμεῶν ἰατρῶν ἰσοῦσθηρῶν ἔλαστικῶν οὐκωσθηρῶν; Triman simvolu va Fransa için Infotri; Символ Triman и Infotri для Франции; Simbol Triman dan Infotri untuk Prancis; Simbol Triman dan Infotri untuk Perancis; フランスのTriman記号とInfotri; 프랑스용 Triman 기호 및 Infotri; 法國 Triman 標誌和分類中心; 法國 Triman 标志和分类信息;

מלמ Triman-ר Infotri-ר עבור צרפת
 رمز Triman و Infotri لأجل فرنسا



Recycling guidelines; Recycling-Richtlinien; Recycling richtlijnen; Consignes de recyclage; Linee guida per il riciclo; Directrices de reciclado; Orientações relativas à reciclagem; Riktlinjer för återvinning; Retningslinjer for genanvendelse; Retningslinjer for resirkulering; Kierrätysohjeet; Leiðbeiningar um endurvinnslu; Ringlussevötu juhised; Reciclăşanas vadlinijas; Perdirbimo rekomendacijos; Pokyny pro recyklači; Újrahasznosítási útmutató; Usmernenia týkajúce sa recyklácie; Smernice za recikliranje; Wytuczne dotyczące recyklingu; Indicații privind reciclarea; Smjernice za recikliranje; Smernice za reciklažu; Κατευθυντήριες γραμμές σχετικά με την ανακύκλωση; Указания за рециклиране; Geri dönüşüm yönergeleri; გადამუშავების გაიდლაინები; Ƴleῖῃῃῃῃῃῃῃ ῃῃῃῃῃῃῃῃ; Təkrar emal üçün atılma təlimatları; Рекомендации по переработке отходов; Panduan mendaur ulang; Garis panduan kitar semula; リサイクルガイドライン; 재활용 지침; 回收指引; 回收指南;

إرشادات إعادة التدوير; ההחיות מייחוד



Open here; Hier öffnen; Hier openen; Ouvrir ici; Aprire qui; Abrir aquí; Abrir aqui; Öppna här; Åbn her; Åpnes her; Avataan tästä; Opnast hér; Avage siit; Atvērt šeit; Atidarykite čia; Otvéřete zde; Itt nyílik; Otvorte tu; Ođprite tukaj; Otwierac tutaj; Deschideți aici; Otvorite ovdje; Otvorite ovde; Ανοίξτε εδώ; Отворете тук; Buradan açın; გახსენით აქ; Ƴացῃῃ ῃῃῃῃῃ; Buradan açın; Открывать здесь; Buka di sini; ここを開ける; 여기를 개봉; 由此打開; 从此处打开;

افتح هنا; פתח כאן

XXXXX, NN
YYYY-MM-DD

XXXXX, NN = Reference number, Version number; Referenznummer, Versionsnummer; referentienu-
mer, versienummer; Numéro de référence, numéro de version; Numero di riferimento, numero di versione;
Número de referencia Número de versión; Número de referência, Número da versão; Referenznummer,
Versionsnummer; Referencenummer, versionsnummer; Referansnummer, Versjonsnummer; viitenumero,
versionumero; Tilvisunarnúmer, Utgáfunúmer; viitenumber, versiooinumber; atsaucēs numurs, versijas
numurs; nuorodos numeris, versijos numeris; referenční číslo, Číslo verze; hivatkozási szám, verziószám;
referenčné číslo, číslo verzie; Referenčna številka, Številka različice; Numer katalogowy, Numer wersji;
Numărul de referință, numărul versiunii; referentni broj, broj verzije; referentni broj, broj verzije; referentni
broj, broj verzije; Αριθμός αναφοράς, Αριθμός έκδοσης; Референтен номер, Номер на версията; Referans
numarasi, Sürüm numarasi; ՆԱՅՆՈՒԹԱՐԻՊ ԵՐԹՅՐԻՆ, ՅԵՐԵՆՈՒՆ ԵՐԹՅՐԻՆ; Հղման համարը, Տարբերակի
համարը; İstinad nömrəsi, Versiya nömrəsi; справочный номер, номер версии; Nomor referensi, Nomor
versi; Nombor rujukan, Nombor versi; 参照番号、バージョン番号; 참조 번호, 버전 번호; 参考編號, 版本號
碼; 参考编号, 版本号;

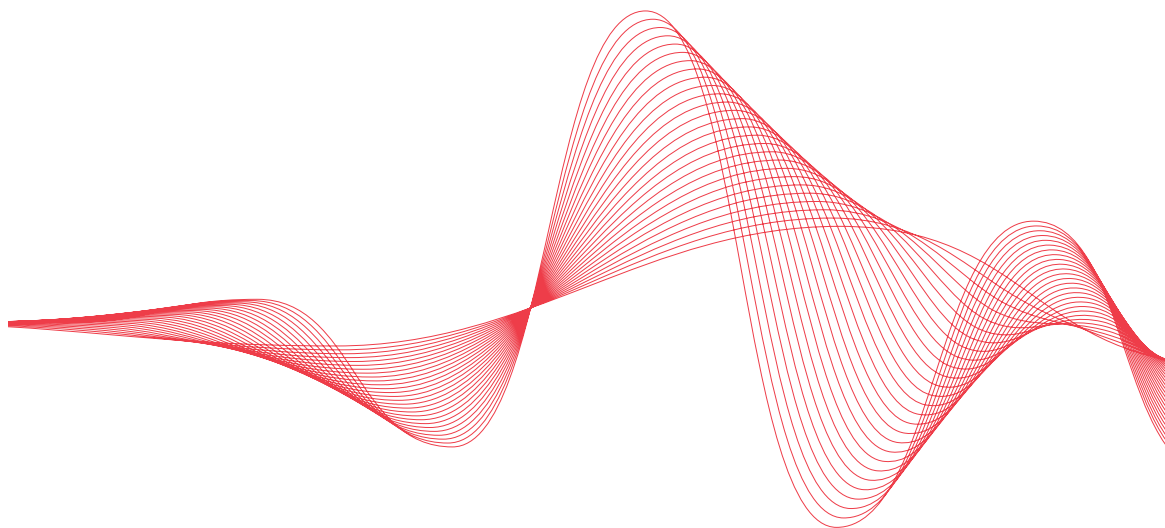
الرقم المرجعي, رقم الإصدار; מספר סימוכין, מספר גרסה

YYYY-MM-DD = Date of issue; Ausstellungsdatum; datum van uitgifte; Date d'émission; Data di emissione;
Fecha de expedición; Data de emissão; Utfärdandedatum; Udstedelsesdato; Utgivelsesdato; julkaisupäivä;
Utgáfudagur; väljaandmise kuupäev; izdošanas datums; leidimo data; Datum vydání; a kiadás dátuma; dátum
vydania; Datum izdaje; Data wydania; Data emiterii; Datum izdavanja; datum izdavanja; datum izdavan-
ja; Ημερομηνία έκδοσης; Дата на издаване; Verilme tarihi; ՅԱԹԹԹՅԵՅՆՈՒՆ ԹԱՐԻՈՒՂԻ; ԹԻՄԻՍՏԻՄԻՆ
ԱՄՍԱՊԻՂԻ; Buraxılma tarixi; дата выпуска; Tanggal penerbitan; Tarikh dikeluarkan; 發行日; 발행일;
發行日期; 发布日期; تاریخ الإصدار; תאריך הנפקה





10648, 03
2025-04-08



Manufacturer:
Atos Medical AB
Kraftgatan 8,
SE-242 35 Hörby, Sweden
Tel: +46 (0)415 198 00
info@atosmedical.com

Atos and the Atos logo are trademarks of Coloplast A/S.
© 2025 Coloplast A/S. All rights reserved.

Atos
atosmedical.com